

# Webasto UK Product Catalogue

## Heater Kits, Accessories & Replacement Parts

Valid from 5<sup>th</sup> February 2024 – Version 2



## General Notes

All deliveries made by us shall be governed exclusively by Webasto Thermo & Comfort UK Ltd - Conditions of Sale of Goods and Provision of Services (copy provided at the end of this document).

This catalogue supersedes and renders invalid any previous editions and is subject to change without prior notice. In the interests of continued development, specifications may change from time to time without prior notice. E & OE. Prices are exclusive of VAT and are ex-works Doncaster.

## Important notes pertaining to heaters installed in vehicles for the transport of dangerous goods

When installing the heaters in vehicles for the transport of dangerous goods, the requirements laid down in ADR 2005 (Technical Guidelines relating to the ordinance of transporting hazardous goods on the road) must be fulfilled in addition to those of the StVZO (Regulations authorising the use of vehicles for road traffic).

The heaters Air Top 2000 STC, Air Top Evo 40, Air Top Evo 55, Thermo Pro 90 and Thermo Top Pro 120/150 which are named in the price list are in compliance with the requirements mentioned above, providing the ADR specific notes contained in the installation instructions are observed during installation. In type EX/II and EX/111 vehicles, the heaters may only be installed for heating the driver's cab or the engine.

**Please note that vehicle heater kits are only approved for vehicle applications. Webasto Thermo & Comfort UK will not honour any liability caused by fitment of a vehicle heater kit in any non-road vehicle application.**

## Important note pertaining to heater installations on marine craft

Government regulations that may vary in different regions may exist concerning the mode, installation and design of heaters designed for installation on boats.

Compliance with such regulations is checked and verified by various authorities. Please familiarise yourself with which regulations may apply in the region where you wish to operate your vessel so that you can take these regulations into account when selecting the heater and planning its installation. For the installation and/or routing of fuel lines inside engine compartments, only components meeting the requirements of EN ISO 7840 may be used.

Please also note that when installing into the engine compartment of the vessel, all respective fuel supply components must be fireproof, according to EN ISO 7840.

## Heater Fuel Pumps

Please note that the heaters listed below use the DP42 fuel pump only and are not compatible with previous model fuel pumps. The DP42 works at a different frequency, delivers a different amount of fuel and is not voltage sensitive. If changing a heater from an older model to the latest version, the fuel pump **must** be changed at the same time. Failure to do so will cause the heater to run badly and may damage the ECU. The fuel pump wiring plug must also be changed.

Air Top 2000 STC  
Thermo Top Evo

Air Top Evo 40/55  
Thermo Pro 90

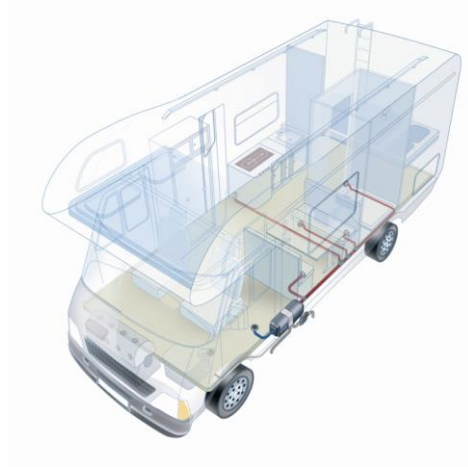
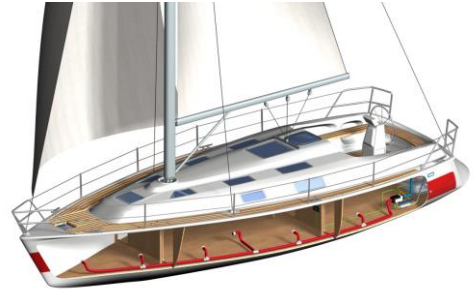
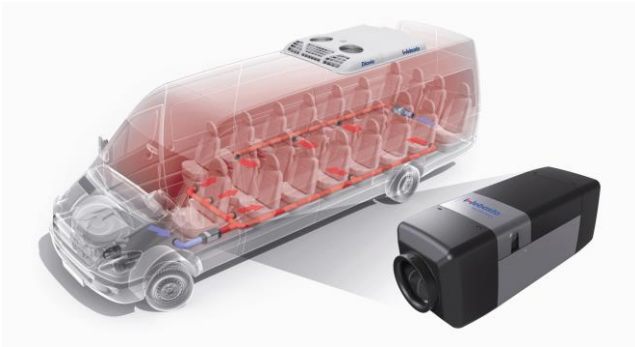
## Contents

		Page No(s)
<b>Heaters &amp; Accessories</b>		
<i>Air Heaters</i>		
Air Top 2000 STC	Heater Kits	5
	Operating Controls	6-7
	Combustion Air & Exhaust	8
	Fuel System	8
	Mounting	9
	Ducting System	9
Air Top EVO 40	Heater Kits	10-11
Air Top EVO 55	Heater Kits	12-13
	Operating Controls	14
	Combustion Air & Exhaust	14
	Mounting	15
	Fuel System	15
	Ducting System	16
Modular Air Heating System		17
<i>Water Heaters</i>		
Thermo Top Eco Range	Heater Kits	18
Thermo Top Evo Range	Heater Kits	19
	Operating Controls	20-22
	Combustion Air & Exhaust	23
	Fuel System	23
	Mounting	24
	Water System	24
		25
Thermo Pro 50 Eco	Heater Kit	26
	Operating Controls	27
	Combustion Air & Exhaust	27
	Fuel System	28
	Water System	28
	Mounting	28
Thermo Pro 90	Heater Kits	29
	Operating Controls	30
	Combustion Air & Exhaust	30
	Fuel System	30
	Water System	31
	Mounting	31
Thermo Top Pro 120/150	Heaters	32
	Operating Controls	32
Valeo Thermo Plus 230/300/350	Heaters	33
	Operating Controls	34
	Combustion Air & Exhaust	34
	Fuel System	34
	Water System	34
Dual Top	Heaters & accessories	35

**Contents**

	<b>Page No(s)</b>
<b>Vehicle Air Conditioning Systems</b>	36-45
<b>Vehicle Parking Cooler Cool Top RTE Range</b>	46
<b>Vehicle Transport Refrigeration Systems</b>	47
<b>Motorhome/RV Cool Top Trail Range</b>	48-49
<b>Hepa filter Range</b>	50
<b>Marine Air Conditioning Systems</b>	51
<b>Marine Roof Platform Systems</b>	52
<b>Marine &amp; Motorhome/R.V. Refrigerator/Freezers</b>	53
<b>Accessories</b>	54
<i>SmartController &amp; MultiController</i>	55
<i>Vehicle Climate Controller</i>	56
<i>Thermo Connect</i>	57
<i>Marine Programmable 7 Day Timer</i>	58
<i>Diesel Cooker &amp; Accessories</i>	59-60
<b>Blower Boxes</b>	
Florida 5	61
Madeira 4 & Madera 8	62
Madeira 4/8 Accessories	62
HTX Blower Range	63
HTX Accessories	64
<i>Thermoduct</i>	65
<i>Diesel/Electric Water Heater System</i>	66
<i>Calorifiers and Accessories</i>	67
<i>Marine Fuel Filter</i>	68
<b>Replacement Parts</b>	69
Air Top 2000S Replacement Parts	70
Air Top 2000 ST/STC Replacement Parts	71
Air Top 3500 / 5000 Replacement Parts	72
Air Top 3500 / 5000 ST Replacement Parts	73
Air Top Evo 3900 / 5500 Replacement Parts	74
Air Top Evo 40 / 55 Replacement Parts	75
Thermo Top E/C & Thermo Top Evo Replacement Parts	76
Thermo Pro 50 Eco /Thermo 50 Replacement Parts	77
Thermo 90S Replacement Parts	78
Thermo 90 ST Replacement Parts	79
Thermo Pro 90 Replacement Parts	80
DBW2010 Replacement Parts	81-83
Thermo 230/300/350 Replacement Parts	84-85
Dual Top Replacement Parts	86
Diesel Cooker Replacement Parts	87-88
<b>Webasto Thermo &amp; Comfort UK Limited – Conditions of Sale of Goods and Provision of Services</b>	89-91

# Air Heating Systems



- Performance from 2kW up to 9kW (Modular system up to 11KW vehicles)
- Variable application for interior cabin heating
- Low consumption of fuel and power
- User friendly operating controls
- Stepless heating regulator and silent operation



Air Top 2000 STC



Air Top Evo 40 / Air Top Evo 55

*Please note that vehicle heater kits are only approved for vehicle applications. Webasto Thermo & Comfort UK will not honour any liability caused by fitment of a vehicle heater kit in any non-road vehicle application.*

# Air Heating Systems

## Air Top 2000 STC 2.0kW Air Heater






Technical Data (tolerance ±10%)				
			Diesel	Petrol
EG-Type Approval code			ECE R122 Heating E1 000 216 ECE R10 EMC E1 041085	
Heating Output	Control Range	kW	0.9 – 2.0	1.0 – 2.0
Fuel Consumption	Control Range	l/h	0.12 – 0.24	0.14 – 0.27
Rated Voltage		V	12 / 24	12
Rated Power Consumption	Control Range	W	14 – 29	14 - 29
Heating Air Flow (against 0.5m/bar)	Maximum	m <sup>3</sup> /h	93	93
Fuel Type			Diesel EN 590 / PME DIN EN 14214 / / heating oil EL	Petrol EN 228
Operating temperature range		°C	-40 to + 40	-40 to + 40
Dimensions (LxBxH)		Mm	311 x 120 x 121	311 x 120 x 121
Weight		Kg	2.6	2.6

### Vehicle Heater Kits

Please note that vehicle heater kits are only approved for vehicle applications.

Webasto Thermo & Comfort UK will not honour any liability caused by fitment of a vehicle heater kit in any non-road vehicle application.



Part No	Description	
4111385D	<b>Diesel</b> Air Top 2000 STC Vehicle Universal kit 12v including rotary control, exhaust & fuel "T" piece (does not include ducting – see 4110888A below)	
4111386B	<b>Diesel</b> Air Top 2000 STC Vehicle Universal kit 24v including rotary control, exhaust & fuel standpipe (does not include ducting – see 4110888A below)	
4110888B	Universal Vehicle Installation & Ducting kit including hardware to form a one outlet system (to be used in conjunction with 4111385C + 4111386B base heater kits above)	
4114674D	<b>Petrol</b> Air Top 2000 STC Universal kit 12v including rotary control, exhaust & 1m ducting to form one outlet system. Fuel extractor to be added as required.	

# Air Heating Systems

## Air Top 2000 STC 2.0kW Air Heater





### Marine Heater Kits

Part No	Description	
4111181C	<b>Diesel Air Top 2000 STC Marine Universal kit</b> including rotary control 12v* <i>(does not include ducting – see accessories section)</i>	
4111182C	<b>Diesel Air Top 2000 STC Marine Universal kit</b> including rotary control 24v <i>(does not include ducting – see accessories section)</i>	

\* Seven day programmable timer upgrade kit available for 12v kits only – please refer to operating control accessories section

### R.V./Motorhome Heater Kits

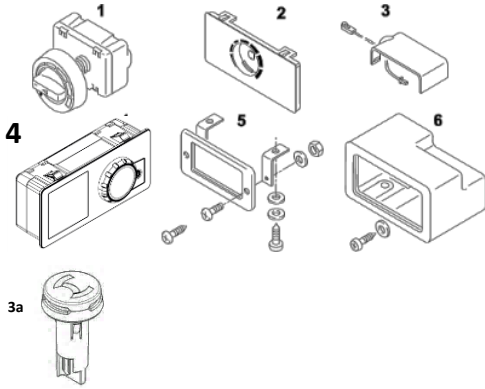
Part No	Description	
4114762B	<b>Diesel Air Top 2000 STC R.V. Universal RV kit 12v</b> including rotary control, round floor mount plate One Outlet version	
4114763A	<b>Diesel Air Top 2000 STC R.V. Universal RV kit 12v</b> including rotary control, round floor mount plate Two Outlet version	
4112565J	<b>Dedicated Kit Air Top 2000 STC Diesel 12v RV UK - VW T5/T6 Euro 5 External Mount</b> – <b>Please Note That This Does Not Contain Any Operating Control</b>	
4117952B	<b>Dedicated Kit Air Top 2000 STC Diesel 12v RV UK - VW T6 Adblue External Mount</b> – <b>Please Note That This Does Not Contain Any Operating Control</b>	

Other operating devices are available – please refer to operating control accessories section

# Air Heating Systems

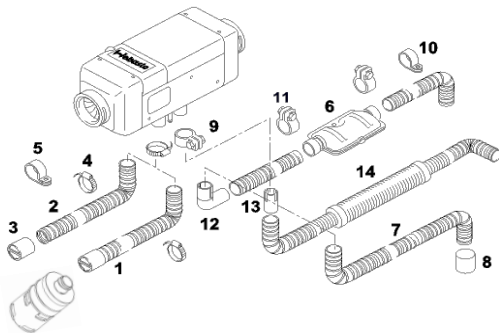
## Air Top 2000 Range Air Heaters

### Operating Controls



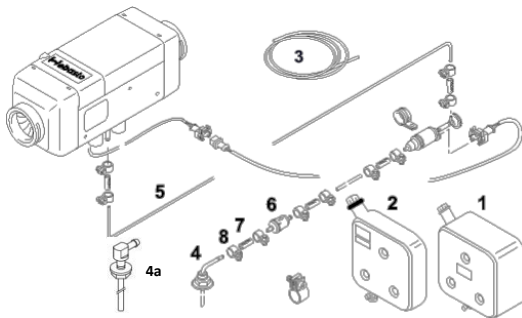
Item No	Description	Part No.
1	Rotary Rheostat Control	1322581A
2	Rheostat Switch Plate	1319733A
3	Surface Mount Temp Sensor (AT2 ST)	1319842A
	Button Style Ext Temp Sensor 2.5m Leis	9030881A
	Button Style Ext Temp Sensor 5m Leis c/w plug kit	9030883A
3a	Button Style Ext Temp Sensor RV 5m	9037593A
4	Uni Control W Bus c/w cable 9034555A	9034520C
4	Uni Control - 1531 timer Analogue kit	9034521C
Not Shown	Adapter cable – 10 pin to 4 pin (W Bus)	9034555A
	Adapter cable – 10 pin to 12 pin (Analogue)	9034596A
	3m cable kit for use with 10 pin Adapter	9034597A
	1531 Analogue Interface Harness	9008440A
5	Digital Timer Mounting Kit	474630
6	Digital Timer Housing	475866
Not Shown	Frost Stat -5 to 15°C	4111263A
	Pulse Relay Kit 12v Harness	4111364B
	4 Hour Pulse Relay 12v – Other Times available	4117678A
	Smart Controller & Multi Controller	Page 55
	Marine 7 Day Program. Timer kit 12v	Page 58
	Thermo Connect 2 (Operation via smartphone)	Page 57

### Combustion Air & Exhaust



Item No	Description	Part No.
1	22mm Machined c/a pipe – 400mm	9035684A
	Combustion Air Silencer	9026725A
2	Combustion Air Hose 22mm	4116219A
3	Combustion Air Hose End Cap	1320109A
4	Hose Clip 20-27mm (10) price per clip	9015918A
5	P Clip 25mm	405256
6	Exhaust Silencer 22mm	1320895A
7	Exhaust 22mm (S/Steel per m)	337390
8	Exhaust End Cap (10) price per cap	1321679A
9	Exhaust Clamp for 22mm exhaust	1320103A
10	P Clip 25mm – SS Exhaust	405256
11	Hose Clamp 26-28mm – used for adapter	1320220A
12	Exhaust Elbow 22mm	1320117A
13	Exhaust Pipe Adaptor 22-24mm	1320382A
14	Exhaust Silencer (Leakproof)	1322001A
Not Shown	Combustion Air Silencer	98141A
Not Shown	Silicone Exhaust Grommet 22mm	4116126A
Not Shown	Exhaust Lagging 30mm (per m)	4116816A
Not Shown	S/Steel Cable Ties (for exhaust lagging)	4116246A
Not Shown	Exhaust Skin Fitting 22mm (45°)	1319427A
	Exhaust Skin Fitting 24mm (Straight)	1320363A
	Exhaust Skin Fitting 24mm (90°)	1320364A

### Fuel System



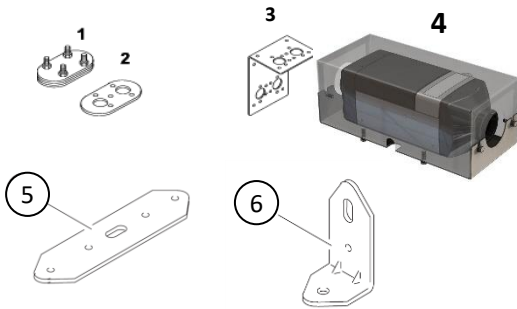
Item No	Description	Part No.
1	Plastic Fuel Tank 24 litres	1322531A
2	Plastic Fuel Tank 12 litres (no fitting kit incl)	1322707C
Not Shown	Fitting kit for 12l fuel tank	9025761A
3	Nylon Fuel Hose 2mm/id 5mm od 8m lg	4116215A
4	Fuel Tank Standpipe 650mm lg	1320399A
4a	Fuel Tank Standpipe low prof 495mm lg 8.5mm dia	4116691A
5	Nylon Fuel Hose 2mm id 5mm od per m	483931
6	Fuel Filter	1319466A
7	Fuel Pipe Connector (Straight)	484032
8	Fuel Hose Clip 10mm	330027
Not Shown	Fuel Pump Harness 8.5m lg DP2/30	4116016A
	Fuel Pump Harness 7m DP42	9032269A
Not Shown	Fuel Pipe Connector 90° Elbow	1320134A
Not Shown	Fuel Cut Off Switch Only (Type v4)	4118485A
	Fuel Cut Off Switch Kit with DP42 Plug & Label	4114917A
Not Shown	Fuel Cut Off Kit (tap type)	4111812A
Not Shown	Fuel T Piece Kit 8mm (Refer to Thermo Top Accessories section for more T Piece options)	411572
Not Shown	Fuel Filter and stop tap kit	4110766A
Not Shown	Marine fuel hose 5mm ISO7840 (per m)	4116220A
Not Shown	Hose clips stainless steel 8-12mm	4116582A
Not Shown	Marine Fuel Pump Insulation Jacket	4116793A
Not Shown	Fuel Extractor – Fiat Ducato	RMB7654A



# Air Heating Systems

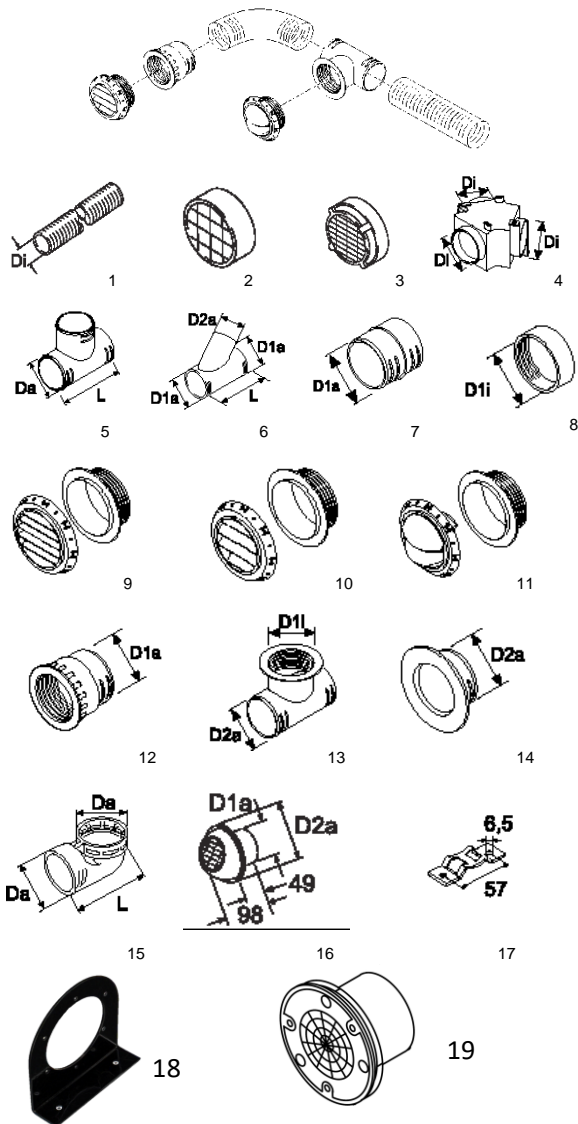
## Air Top 2000 Range Air Heaters

### Mounting



Item No	Description	Part No.
1	Floor Flattening Tool	82229A
2	Base Mount Gasket	82227A
3	Mounting Plate (angled)	4116353A
4	Stainless Steel Mounting Box	4111249A
5	Mounting Strip ( <b>MOQ 10 pcs</b> each)	9007918A
6	Angle Bracket (Universal) ( <b>MOQ 10 pcs</b> each)	1320232A
Not Shown	Mounting Box – Top Access	86032A
Not Shown	Floor Mount Plate (flat)	4116178A
Not Shown	Floor Mount Plate (round flange – 5")	4116359A
Not Shown	Floor Mount Plate (oblong flange)	4116179A
Not Shown	Floor Mount Plate (65mm collar)	4111219A

### Ducting System



Item No	Description	Part No.
1	Ducting PAK (Di.60mm) - per m	398497
Not Shown	Flexflyte Ducting 60mm (per m) 4 metre length	4116193A
Not Shown	60mm Thermoduct—750mm lg	41570014A
2	Protective Screen 60mm	1320173A
3	Air Inlet Grille 60mm	1320163A
4	Flap Valve Y Piece (Di. 60mm)	1320352A
Not Shown	Control Switch & Cable for Flap Valve	1319868A
5	T Piece 90° (Da 60mm/L 110) – Black	1320474A
6	Assymmetric Y Branch (D1a 60 / D2a 60 / L 145mm) – Black	1320472A
7	Connector Pipe (D1a 60mm) – Black	1320469A
8	End Cap (D1i 60mm)	1320477A
9	Outlet 90° (60mm) - Black Outlet 90° (60mm) - White Outlet 90° (60mm) – Grey	1320934A 1320935A 1320936A
10	Outlet 45° (60mm) - Black Outlet 45° (60mm) - White Outlet 45° (60mm) – Grey	1320204A 1320205A 1320933A
11	Outlet Closeable (60mm) - Black Outlet Closeable (60mm) - White Outlet Closeable (60mm) – Grey	1320206A 1320207A 1320937A
12	Backing Nut (D1a 60mm) – Black	1320922A
13	T Piece with Connector (D1i/D2a 60mm)	1320476A
14	Wall Pipe/Flange (60mm) – Black	1320923A
15	90° Elbow (Da 60mm / L 133)	1320124A
16	Outlet 60mm Ball Type 360°	1322405A
Not Shown	Hose Clamp 50-70mm	466352
17	Ducting Support Bracket <b>(MOQ 10 pcs)</b> price each	1321044A
18	90° 60mm Outlet bracket	4116172A
19	Flush Inlet Grille	1322634A
Not Shown	Ducting T Compact 60mm	62RWA8500
Not Shown	Equal Y Duct Part 60/60/60	1320814A

# Air Heating Systems




## Air Top Evo 40 4.0kW Air Heater



Technical Data (tolerance $\pm 10\%$ )				
		Diesel		Petrol
EG-Type Approval code	EMC Heater		E1 03 5529 E1 00 0385	E1 03 5529 E1 00 0385
Heating Output	Control Range / Boost*	kW	1.5 – 3.5 / 4.0*	1.7 – 3.5 / 4.0*
Fuel Consumption	Control Range / Boost*	l/h	0.18 – 0.43 / 0.49	0.25 – 0.51 / 0.58
Rated Voltage		V	12 / 24	12
Rated Power Consumption	Control Range / Boost*	W	15 – 40 / 55	15 – 40 / 55
Heating Air Flow (against 0.5m/bar)	Maximum	m <sup>3</sup> /h	132 / 140	132 / 140
Fuel Type			Diesel EN 590 / PME DIN EN 14214 / heating oil EL	Petrol EN 228
Operating temperature range		°C	-40 to +40	-40 to +40
Dimensions (LxBxH)		mm	423 x 148 x 162	423 x 148 x 162
Weight		Kg	5.9	5.9

### Vehicle Heater Kits

*Please note that vehicle heater kits are only approved for vehicle applications. Webasto Thermo & Comfort UK will not honour any liability caused by fitment of a vehicle heater kit in any non-road vehicle application.*



Part No	Description	
4111387B	<b>Diesel</b> Air Top Evo 40 Vehicle Universal kit 12v including rotary control, fuel pump, wiring harnesses, exhaust & fuel "T" piece ( <i>does not include ducting – please refer to ducting section</i> )	
4111388B	<b>Diesel</b> Air Top Evo 40 Vehicle Universal kit 24v including rotary control, fuel pump, wiring harnesses, exhaust & fuel "T" piece ( <i>does not include ducting – please refer to ducting section</i> )	
4111653B	<b>Petrol</b> Air Top Evo 40 Vehicle Universal kit 12v including rotary control, fuel pump, wiring harnesses, exhaust & fuel "T" piece ( <i>does not include ducting – please refer to ducting section</i> ) 12v version	

# Air Heating Systems

## Air Top Evo 40 4.0kW Air Heater





### Marine Heater Kits

Part No	Description	
4117979A	<b>Diesel Air Top Evo 40 Marine Universal Kit</b> Including Multi Controller 12v <i>(does not include ducting – see accessories section)</i>	
4110221C	<b>Diesel Air Top Evo 40 Marine Universal Kit</b> including Multi Controller 24v <i>(does not include ducting – see accessories section)</i>	

\* Seven day programmable timer upgrade kit available for 12v kits only – please refer to operating control accessories section

### Motorhome Heater Kits

Description	
<b>Diesel Air Top Evo 40 R.V. Universal kit including standard rotary control 12v version</b> Base Heater Kit: 9029235C	
<b>Diesel Air Top Evo 40 R.V. Universal kit including standard Multi control 12v version</b> Base Heater Kit: 9029236D	
<p><b><i>N.B. Kit does not include any mounting plate, ducting or accessories – these are available separately – pricing upon application</i></b>  <b><i>Please add choice of Floor Plate - Round 4116359A or Oblong 4116179A or Chassis Angled Bracket 4116353A</i></b></p>	

Other operating devices are available – please refer to operating control accessories section

# Air Heating Systems




## Air Top Evo 55 5.5kW Air Heater



Technical Data (tolerance ±10%)				
			Diesel	Petrol
EG-Type Approval code	EMC Heater		E1 03 5529 E1 00 0386	E1 03 5529 E1 00 0386
Heating Output	Control Range / Boost*	kW	1.5 – 5.0 / 5.5**	1.7 – 5.0 / 5.5**
Fuel Consumption	Control Range / Boost*	l/h	0.18 – 0.61 / 0.67	0.25 – 0.73 / 0.80
Rated Voltage		V	12 / 24	12
Rated Power Consumption	Control Range / Boost*	W	15 – 95 / 130	15 – 95 / 130
Heating Air Flow (against 0.5m/bar)	Maximum	m <sup>3</sup> /h	200 / 220	200 / 220
Fuel Type			Diesel EN 590 / PME DIN EN 14214 / heating oil EL	Petrol EN 228
Operating temperature range		°C	-40 to +40	-40 to +40
Dimensions (LxBxH)		mm	423 x 148 x 162	423 x 148 x 162
Weight		Kg	5.9	5.9

### Vehicle Heater Kits

Please note that vehicle heater kits are only approved for vehicle applications. Webasto Thermo & Comfort UK will not honour any liability caused by fitment of a vehicle heater kit in any non-road vehicle application.



Part No	Description	
4111389B	<b>Diesel</b> Air Top Evo 55 Vehicle Universal kit 12v including rotary control, fuel pump, wiring harnesses, exhaust & fuel "T" piece (does not include ducting – please refer to ducting section)	
4111390C	<b>Diesel</b> Air Top Evo 55 Vehicle Universal kit 24v including rotary control, fuel pump, wiring harnesses, exhaust & fuel "T" piece (does not include ducting – please refer to ducting section)	
4111654B	<b>Petrol</b> Air Top Evo 55 Vehicle Universal kit 12v including rotary control, fuel pump, wiring harnesses, exhaust & fuel "T" piece (does not include ducting – please refer to ducting section)	

# Air Heating Systems

## Air Top Evo 55 5.5kW Air Heater





### Marine Heater Kits

Part No	Description	
4118032A	<b>Diesel Air Top Evo 55 Marine Universal kit including Multi Controller 12v</b> <i>(does not include ducting – see accessories section)</i>	
4117970A	<b>Diesel Air Top Evo 55 Marine Universal kit including Multi Controller 24v</b> <i>(does not include ducting – see accessories section)</i>	

\* Seven day programmable timer upgrade kit available for 12v kits only – please refer to operating control accessories section

### Motorhome Heater Kits

Description		
<b>Diesel Air Top Evo 55 R.V. Universal kit including standard rotary control 12v version Base Heater Kit:</b>	9029244C	
<b>Diesel Air Top Evo 55 R.V. Universal kit including standard Multi control 12v version Base Heater Kit:</b>	9029245D	
<p><b><i>N.B. Kit does not include any ducting or accessories – these are available separately – pricing upon application</i></b>            Please add choice of Floor Plate    Round 4116359A <b>or</b> Oblong 4116179A  <b>or</b> Chassis Angled 4116353A</p>		

Other operating devices are available – please refer to operating control accessories section

For more information please click here [=](#)

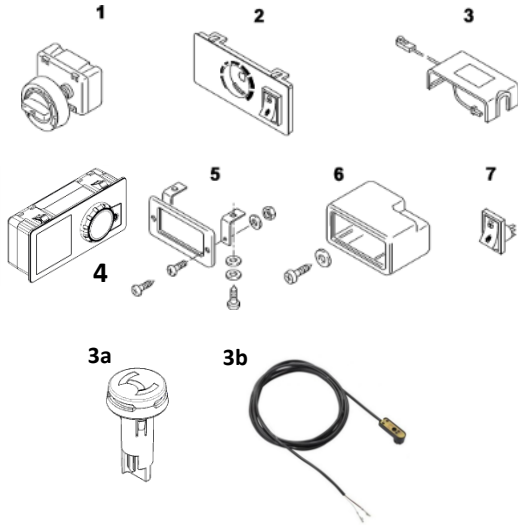
[https://www.webasto-comfort.com/fileadmin/webasto\\_media/webasto-comfort.com/INT/Documents/Recreational-Vehicles-Catalog-2023-24-INT.pdf](https://www.webasto-comfort.com/fileadmin/webasto_media/webasto-comfort.com/INT/Documents/Recreational-Vehicles-Catalog-2023-24-INT.pdf)



# Air Heating Systems

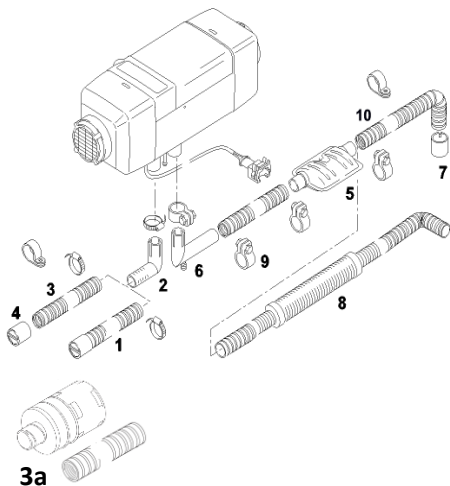
## Air Top Evo Range Air Heaters

### Operating Controls



Item No	Description	Part No.
1	Rotary Rheostat Control	1322581A
2 Not Shown	Switch Plate with Vent Switch Adaptor harness for vent switch	92240A 1320829A
3	External Temperature Sensor 5m External Temperature Sensor 20m The above sensor are c/w centre loom cap	1322459A 92649B
3a	Button Style Ext. Temp Sensor 2.5m (Leisure)	9030881A
3b	Button Style Ext. Temp Sensor 5m (Leisure) Surface Mount Ext Temp Sensor 2.5m	9030883A 1319900A
4 4 Not Shown	Uni Control W Bus c/w cable 9034555A Uni Control - 1531 timer Analogue kit Adapter cable – 10 pin to 4 pin (W Bus) Adapter cable – 10 pin to 12 pin (Analogue) 3m cable kit for use with 10 pin Adapter 1531 Analogue Interface Harness	9034520C 9034521C 9034555A 9034596A 9034597A 9008440A
5	Digital Timer Mounting Kit	474630
6	Digital Timer Housing	475866
7	Vent Switch	1320434A
Not Shown	Air Top Evo MC 05 Standard 12/24v Controller (other versions available)	1322822A
Not Shown	Frost Stat -5 to 15°C	4111263A
Not Shown	Pulse Relay Kit 12v Harness	4111364B
Not Shown	4 Hour Pulse Relay	4111932A
Not Shown	Smart Controller & Multi Controller	See Page 55
Not Shown	Marine 7 Day Programmable Timer kit 12v	See Page 58
Not Shown	Heater Control MC 04 12/24v (Marine)	1322720A
Not Shown	Climate Controller	See Page 56
Not Shown	Thermo Connect 2 (operation via smartphone) Note: For Air Top Evo heaters with MC controller only	See Page 57

### Combustion Air & Exhaust

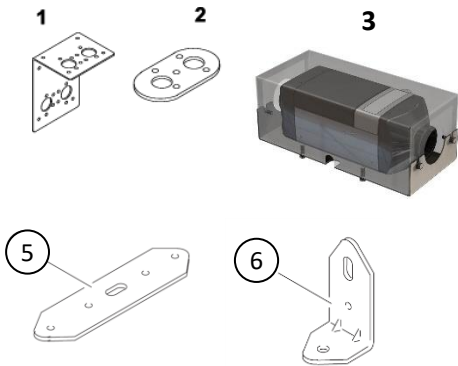


Item No	Description	Part No.
1	Air Intake Silencer Pipe (PAK 650mm)	1319924A
2	Combustion Air Elbow	1320278A
3	Combustion Air Hose 25mm – 5m Length	1321587A
3a	Combustion Air Intake Silencer Only Flexible Pipe Only – 24.5 i/d 500mm long Combustion Air Intake Silencer Kit	9027996A 1322684A 9026777A
4	Combustion Air Hose End Cap – 36mm	1321067A
5	Exhaust Silencer	1320372A
6	Exhaust Elbow	1320378A
7	Exhaust End Cap – 24 i/d – 28 o/d	4116176A
8	Exhaust Silencer (leakproof)	1322001A
9	Exhaust Clamp – 28mm i/d	1320220A
10	Exhaust 24mm i/d (S/Steel per m)	90394A
Not Shown	Hose Clip 20-32mm	4116238A
Not Shown	P Clip 28mm – Stainless Steel	4116251A
Not Shown	Exhaust Lagging 30mm per m	4116816A
Not Shown	S/Steel Cable Ties (for exhaust lagging)	4116246A

# Air Heating Systems

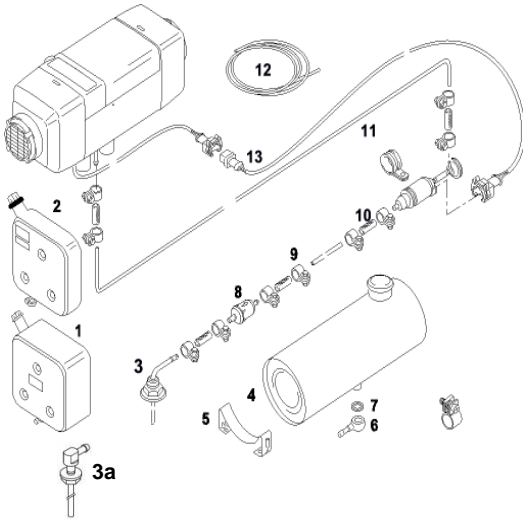
## Air Top Evo Range Air Heaters

### Mounting



Item No	Description	Part No.
1	Mount Plate (angled)	4116353A
2	Base Mount Gasket	82227A
3	Stainless Steel Mounting Box	4111132A
5	Mounting Strip ( <b>MOQ 10 pcs</b> ) each	9007918A
6	Angle Bracket (Universal) ( <b>MOQ 10 pcs</b> ) each	1320232A
Not Shown	Floor Mount Plate (flat) Floor Mount Plate (round flange – 5") Floor Mount Plate (oblong flange) Floor Mount Plate (65mm collar)	4116178A 4116359A 4116179A 4111219A

### Fuel System

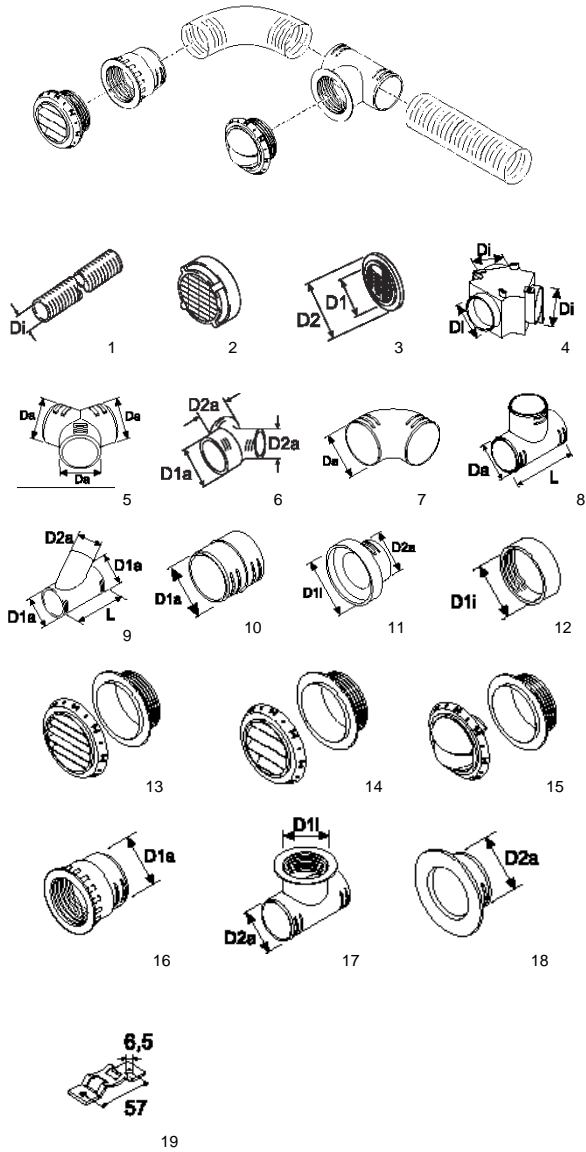


Item No	Description	Part No.
1	Plastic Fuel Tank 24 litres incl Fitting Kit	1322531A
2	Plastic Fuel Tank 12 litres (no fitting kit incl)	1322707C
Not Shown	Fitting kit for 12l fuel tank	9025761A
3	Fuel Tank Standpipe 650mm lg	1320399A
3a	Fuel Tank Standpipe low profile 495mm lg 8.5mm hole	4116691A
4	Not available	-
5	Not available	-
6	Banjo M12 5mm hosetail	1319355B
7	Gasket – Washer DIN 7603 A12x17	1319696A
8	Fuel Filter	1319466A
9	Fuel Hose Clip 10mm	330027
10	Fuel Pipe Connector (Straight)	484032
11	Nylon Fuel Hose 2mmid/5mm od per metre	483931
12	Nylon Fuel Hose 2mmi.d./5mm od 8m lg	4116215A
13	Fuel Pump Harness 8.5m lg AT39/55 DP2/30 Fuel Pump Harness 7m lg AT40/55 DP42	4116016A 9032269A
Not Shown	Fuel Pipe Connector 90°	1320134A
Not Shown	Fuel Cut Off Switch Only (Type v4) Fuel Cut Off Switch Kit with DP42 Plug & Label	4118485A 4114917A
Not Shown	Fuel Cut Off Kit (Tap Type)	4111812A
Not Shown	Fuel T Piece Kit 8mm (Refer to Thermo Top Accessories section for more T Piece options)	411572
Not Shown	Fuel Filter and stop tap kit	4110766A
Not Shown	Marine fuel hose 5mm ISO7840 (per m)	4116220A
Not Shown	Hose clips stainless steel 8-12mm	4116582A
Not Shown	Marine Fuel Pump Insulation Jacket	4116793A
Not Shown	Fuel Extractor Fiat Ducato	RMB7654A

# Air Heating Systems

## Air Top Evo Range Air Heaters

### Ducting System



For 60mm Ducting Accessories,  
please refer to the Air Top 2000 STC Section

Item No	Description	Part No.
1	Ducting PAK (Di.80mm) - per m Ducting PAK (Di 90mm) - per m	398519 90395A
Not Shown	Flexflyte Ducting 80mm (per m) Flexflyte Ducting 90mm (per m)	4116189A 4116195A
Not Shown	80mm Thermoduct—750mm lg (use on 80 or 90mm ducting)	41S70015A
2	Air Inlet Grille 90mm	1310581A
3	Embellisher Grille 80mm Chrome (D1 80mm / D2 112) Black Metal	1319308A 4116108A
4	Flap Valve Y Piece (Di. 90mm)	1320926A
Not Shown	Control Switch & Cable for flap valve	1319868A
5	Y Piece (Da 90mm) Black	1320470A
6	Y Piece (D1a 80mm/D2a 60mm) Black	1320471A
7	Elbow (Da 90mm) – Black	1320706A
8	T Piece 90° (Da 90mm/L 140) Black	1320473A
9	Assymetric Y Branch (D1a 90 / D2a 60 / L 145mm) Black	1320707A
10	Connector Pipe (D1a 90mm) Black	1319869A
11	Reducer Black 90-80mm 90-60mm	1320925A 1320760A
12	End Cap (D1i 90mm)	1319870A
13	Outlet 90° (90mm) Black Outlet 90° (90mm) White Outlet 90° (90mm) Grey	1320932A 1320711A 1320712A
14	Outlet 45° (90mm) Black Outlet 45° (90mm) White Outlet 45° (90mm) Grey	1320709A 1320710A 1320354A
15	Outlet Closeable (90mm) Black Outlet Closeable (90mm) White Outlet Closeable (90mm) Grey	1320355A 1320713A 1320714A
16	Backing Nut (D1a 90mm) Black	1320468A
17	T Piece with Connector (D1i 60mm / D2a 90mm)	1320475A
18	Wall Pipe (90mm) Black	1320924A
Not Shown	Ducting Silencer 80mm	1320656A
19	Ducting Support Bracket <b>(MOQ 10 pcs)</b> price per single item	1321044A
Not Shown	Hose Clip 70-90mm	139610
Not Shown	Heating Air Silencer 90mm	1320996A



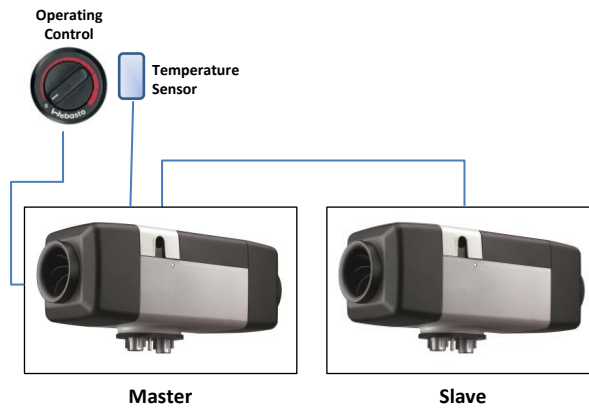
# Air Heating Systems

## Modular Air Heating System up to 11kW

### Build up as a system

Webasto air heaters Air Top Evo 40 and Air Top Evo 55 offer the option to operate up to 2 heaters within one system.

Heater “1” is defined as the “master” heater; the other heater is named “slave” heater. The operating control and external temperature sensor are connected to the “master” heater. The “slave” heater is connected to the wiring harness of the “master” heater. The communication between the various devices happens via a serial bus system. By combining heaters, a system can be individually adapted to a specific application.



- Modular concept – all heating devices are identical
- Easy to install – the system configures itself automatically
- One master heating device controls all slave heating devices
- Only one operating control device
- Only one temperature sensor
- Diagnosis enabled

Please contact our Sales Department for further information & pricing  
Please note that vehicle heater kits are only approved for vehicle applications.  
Webasto Thermo & Comfort UK will not honour any liability caused by fitment of a vehicle heater kit in any non-road vehicle application.

# Water Heating Systems

*Comfort, safety and convenience*



- Performance from 2kW up to 35kW
- Versatile use for all market segments
- Compact design
- Robust combustion technology and dependable operation
- Broad spectrum of applications

## **Parking Heater & Engine Pre Heat Upgrade Kits**

Kits are available to upgrade direct diesel injection vehicles installed with a Webasto heater as a supplementary boost heater from factory to enjoy the full features and benefits of a parking heater system. For further information and pricing, please contact our Sales Department.



Thermo Top ECO



Thermo Top Evo Range



Thermo Pro 90

# Water Heating Systems

## Thermo Top Eco 220v AC Water Heater



Technical Data (tolerance ±10%)				
		Thermo Top ECO 20		Thermo ECO 30
EG-Type Approval code	ECE R122	Heating	E1 00 0531	
Heat Output	Partial/Full Load	kW	2	3
Nominal Voltage		V	220-230 (50Hz) AC Mains Electric	
Nominal Power Consumption without circulation pump	Partial/Full Load	kW	2	3
Operating temperature range		°C	-40 to +80	-40 to +80
Dimensions (LxBxH) (exc water pump)		mm	181 x 91 x 133	
Weight (exc water pump)		Kg	1.4	
U4847 Circulating pump – 12v				
Operating voltage range		12v	10.5 - 17	
Rated Power Consumption		w	14	
Volume Flow	Against 0.1 bar (l/h)	(l/h)	900	
Dimensions	(length/diameter)	mm	109/48.5	
Weight		Kg	0.3	

### Vehicle Heater Kits

*Please note that vehicle heater kits are only approved for vehicle applications.*

*Webasto Thermo & Comfort UK will not honor any liability caused by fitment of a vehicle heater kit in any non-road vehicle application.*

Part No	Description
1330002A	Thermo Top ECO 20 2kW 220v (No Operating Control) (Contains heater, circulating pump, standard wiring harness with relay and fuses)
1330003A	Thermo Top ECO 30 3kW 220v (No Operating Control) (Contains heater, circulating pump, standard wiring harness with relay and fuses)
1330001A	Standard Installation Kit for Thermo Top ECO (Contains water connection, device holder, connection, fan control,) Note: Dedicated vehicle installation kits (LHD vehicles) are also available – details on request
1325978B	Connecting cable 230V 2.5 m Main supply cable 230V
1325979B	Connecting cable 230V 2.5 m Angled Main supply cable 230V
1325980B	Connecting cable 230V 5.0 m Main supply cable 230V
1325985B	Connecting cable 230V 3.5 m Main supply cable 230V

NB – All above cables are supplied with a Euro mains plug

# Water Heating Systems

## Thermo Top Evo 4 4.0kW Water Heater



Technical Data (tolerance ±10%)				
			Thermo Top Evo 4 Diesel	Thermo Top Evo 4 Petrol
EG-Type Approval code	ECE R122 ECE R10	Heating EMC	E1 00 0258 E1 03 5627	
Heat Output	Partial/Full Load	kW	2.5/4.0	2.8/4.0
Fuel Consumption	Partial/Full Load	l/h	0.31/0.49	0.39/0.56
Nominal Voltage		V	12	
Nominal Power Consumption without circulation pump	Partial/Full Load	W	12/21	15/21
Fuel			Diesel EN590	Petrol EN228
Operating temperature range		°C	-40 to +80	-40 to +60
Dimensions (LxBxH) (exc water pump)		mm	218 x 91 x 147	
Weight (exc water pump)		Kg	2.1	
U4847 Circulating pump				
Volume Flow		(l/h)	500	
Dimensions (LxBxH)		mm	96 x 75 x 80	
Weight		Kg	0.3	

### Vehicle Heater Kits

*Please note that vehicle heater kits are only approved for vehicle applications. Webasto Thermo & Comfort UK will not honor any liability caused by fitment of a vehicle heater kit in any non-road vehicle application.*

Part No	Description
1314812B	<b>Petrol</b> Thermo Top Evo 4 Petrol 12v (No Operating Control) (Contains heater, circulating pump, standard wiring harness with relay and fuses)
1314816B	<b>Diesel</b> Thermo Top Evo 4 Diesel 12v (No Operating Control) (Contains heater, circulating pump, standard wiring harness with relay and fuses)
1314818D	Standard Installation Kit for Thermo Top Evo (Contains water connection, device holder, connection, fan control, exhaust system with silencer, air intake system with silencer) Note: Dedicated vehicle installation kits (LHD vehicles) are also available – details on request

# Water Heating Systems

## Thermo Top Evo 5 Range Water Heaters



Technical Data (tolerance ±10%)						
			Thermo Top Evo 5 Diesel	Thermo Top Evo 5 Petrol	Thermo Top Evo 5+ Diesel	Thermo Top Evo 5+ Petrol
EG-Type Approval code	ECE R122 ECE R10	Heating EMC	E1 00 0258 E1 03 5627			
Heat Output	Partial/Full Load	kW	2.5/5.0	2.8/5.0	2.5/5.0	2.8/5.0
Fuel Consumption	Partial/Full Load	l/h	0.31/0.62	0.39/0.70	0.31/0.62	0.39/0.70
Nominal Voltage		V	12			
Nominal Power Consumption without circulation pump	Partial/Full Load	W	12/32	15/32	12/32	15/32
Fuel			Diesel EN590	Petrol EN228	Diesel EN590	Petrol EN228
Operating temperature range		°C	-40 to +80	-40 to +60	-40 to +80	-46 to +60
Dimensions (LxBxH) (exc water pump)		mm	218 x 91 x 147			
Weight (exc water pump)		Kg	2.1			
U4847 Circulating pump						
Volume Flow		(l/h)	500			
Dimensions (LxBxH)		mm	96 x 75 x 80			
Weight		Kg	0.3			

### Vehicle Heater Kits

Please note that vehicle heater kits are only approved for vehicle applications.

Webasto Thermo & Comfort UK will not honour any liability caused by fitment of a vehicle heater kit in any non-road vehicle application.

Part No	Description
1314811B	Thermo Top Evo 5 Petrol 12v (No Operating Device) (Contains heater, circulating pump, standard wiring harness with relay and fuses)
1314815B	Thermo Top Evo 5 Diesel 12v (No Operating Device) (Contains heater, circulating pump, standard wiring harness with relay and fuses)
1314810A	Thermo Top Evo 5+ Petrol 12v (No Operating Device) (Contains heater, circulating pump, standard wiring harness with relay and fuses)
1314814A	Thermo Top Evo 5+ Diesel 12v (No Operating Device) (Contains heater, circulating pump, standard wiring harness with relay and fuses)
1314818D	Standard Installation Kit for Thermo Top Evo (Contains water connection, device holder, connection, fan control, exhaust system with silencer, air intake system with silencer) Note: Dedicated vehicle installation kits (LHD vehicles) are also available – details on request

### Marine Heater Kits

Part No	Description
4117864B	Diesel Thermo Top Evo 5 Narrowboat kit with seven day programmable timer & filter kit 12v
4117849B	Diesel Thermo Top Evo 5 Marine kit with multi controller 12v

# Water Heating Systems

## Thermo Top Evo 5 Motorcaravan Parking Heater



### Motorhome Heater Kits

Part No	Description
4117881B	<b>Panel Van/Small Van (Universal Kit)</b> <b>Diesel</b> Thermo Top Evo 5 5.0kW Universal quick heat independent hot water system complete with header tank, plate heat exchanger, mixer valve, one heater blower, dedicated panel switch, associated pipework, fittings etc

Note: Use one blower box for small van (e.g. VW Transporter size). Use an additional Blower Box for larger sized vehicles (e.g. Fiat Ducato/Renault Master). Refer to blower box section for part numbers and pricing)

### Motorhome Parking Heater Kits

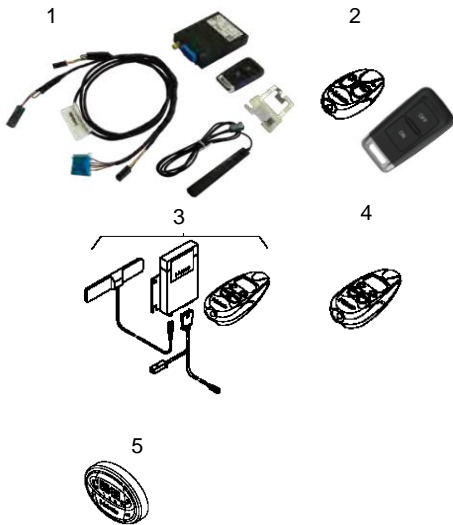
Dedicated parking heater kits are available for a wide range of motorhomes. Please note that these are based on LHD vehicles however can be adapted for RHD installations. Please contact our Sales Department for further information and pricing for your application.

# Water Heating Systems

## Thermo Top Range Water Heaters

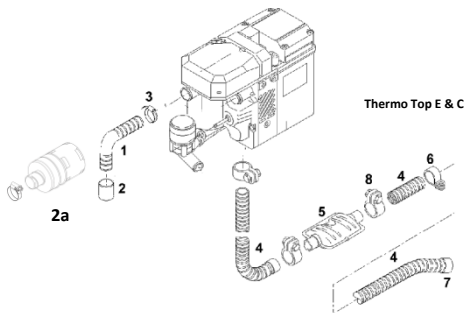
For T99 Remote Control information and downloads please click here - <https://www.webasto.com/en-int/heating/controls/telestart-t99.html>

### Operating Controls

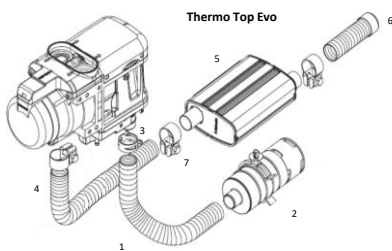


Item No	Description	Part No.
1	T99 Complete Kit	9039217A
2	T99 Remote Only	9039224A
2	T91 Remote Spare Part	1314636A
3	HTM T100 Complete Kit	1314637A
4	HTM T100 Remote Only	1314638B
Not Shown	Receiver Only T91/HTM 100	1314639A
Not Shown	Receiver Only T99	9039225A
5	Digital Timer (60 mins) Oval Type	1322580A
Not Shown	3 Gang Panel Switch	4116401A
Not Shown	Plug kit for 3 gang Panel Switch	4116507A
Not Shown	Frost Stat -5 to +15°C	4111263A
Not Shown	4 hour Pulse Relay 12v	4111932A
Not shown	Pulse Relay Kit Harness 12v	4111364B
Not Shown	Marine 7 day programmable timer 12v	See Page 58
Not Shown	Thermo Connect 2 (operation via smartphone)	See Page 57
Not Shown	Smart Controller & Multi Controller	See Page 55

### Combustion Air & Exhaust



Item No	Description	Part No.
1	Combustion Air Pipe 18 mm	1320843A
	Combustion Air Pipe 22mm c/w slot	1322421A
2	C/Air Pipe End Cap 25mm <b>(MOQ 10 pcs) price each</b>	1320257A
2a	Combustion Air Silencer TTC	98141A
3	Hose Clip 20-27mm	9015918A
4	Flexible Exhaust 22mm (per m)	337390
5	Exhaust Silencer 22mm	1320895A
6	P Clip 25mm	405256
7	Protection End Cap	1321679A
8	Exhaust Clamp 24-27mm	1320815A
Not Shown	Exhaust Lagging	4116816A
Not Shown	Cable Ties (S/Steel for Lagging)	4116246A
Not Shown	Exhaust Adaptor 22-24mm	1320382A
Not shown	Exhaust Skin Fitting 24mm (Straight)	1320363A
	Exhaust Skin Fitting 24mm (90°)	1320364A
	Exhaust Skin Fitting 22mm (45°)	1319427A

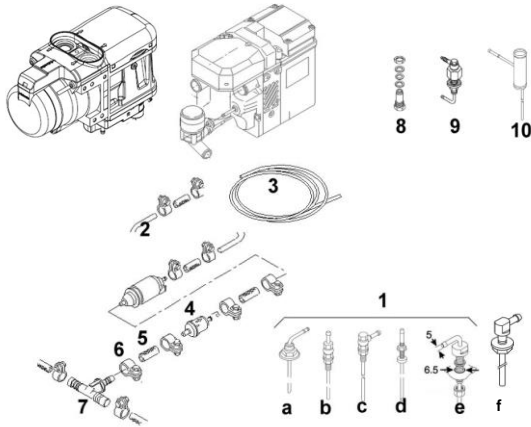


Item No	Description	Part No.
1	Combustion Air Pipe 22 mm (400mm)	1323271A
2	Combustion Air Silencer	1315744B
3	Hose Clip 20-27mm	9015918A
4	Flexible Exhaust 22mm (per m)	337390
5	Exhaust Silencer 22mm	1320991A
Not Shown	P Clip 25mm	405256
6	Protection End Cap	1321679A
7	Exhaust Clamp 24-27mm	1320815A
Not Shown	Exhaust Lagging	4116816A
Not Shown	Cable Ties (S/Steel for Lagging)	4116246A
Not Shown	Exhaust Adaptor 22-24mm	1320382A
Not shown	Exhaust Skin Fitting 24mm (Straight)	1320363A
	Exhaust Skin Fitting 24mm (90°)	1320364A
	Exhaust Skin Fitting 22mm (45°)	1319427A

# Water Heating Systems

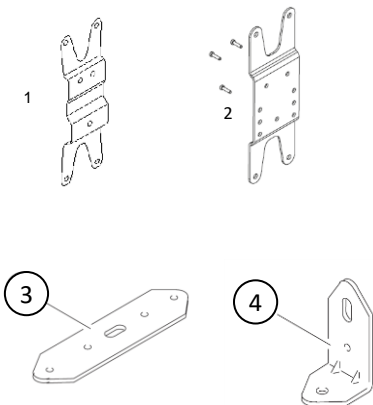
## Thermo Top Range Water Heaters

### Fuel System



Item No	Description	Part No.
1	a) Fuel Tank Standpipe b) Fuel Sender Type 8mm c) Fuel Sender Type 90° 300mm lg d) Fuel Sender Type 6mm e) Fuel Extractor Low Profile f) Fuel Sender Type Standpipe low profile 495mm lg 8.5mm hole	1320399A 4116210A 25908B 1322645A 1320457A 4116691A
2	Nylon Fuel Hose 2mm id 5mm od – per metre	483931
3	Nylon Fuel Hose 2mm i.d. 5mm od 8m length	4116215A
4	Fuel Filter	1319466A
5	Fuel Pipe Connector (Straight)	484032
6	Fuel Hose Clip 10mm	330027
7	Fuel T Piece(s) 6 x 5 x 6 (J Shape – Metal) 8 x 5 x 8 (J Shape – Metal) 10 x 5 x 10 (J Shape) 6 x 5 x 6 (T shape – Metal) 8 x 5 x 8 (T shape – Metal) 10 x 5 x 10 (T shape – Metal) 12 x 5 x 12 (T shape – Metal) 15 x 6 x 15 (T shape – Metal) 6 x 5 x 6 (T shape – Plastic) 8 x 5 x 8 (T shape – Plastic) 10 x 5 x 10 (T shape – Plastic) 12 x 5 x 12 (T shape – Plastic)	1319520A 1320574A 1320806A 1320572A 1320573A 1320804A 1320805A 1320577A 1321002A 1320192A 1321003A 1319951A
8	Tank Extractor 5mm	107762
9	Tank Extractor low profile	9008021A
Not Shown	Fuel Pipe Connector 90°	1320134A
Not Shown	Fuel Filter and stop tap kit	4110766A
Not Shown	Marine fuel hose 5mm ISO7840 (per m)	4116220A
Not Shown	Hose clips stainless steel 8-12mm	4116582A
Not Shown	Marine Fuel Pump Insulation Jacket	4116793A

### Mounting



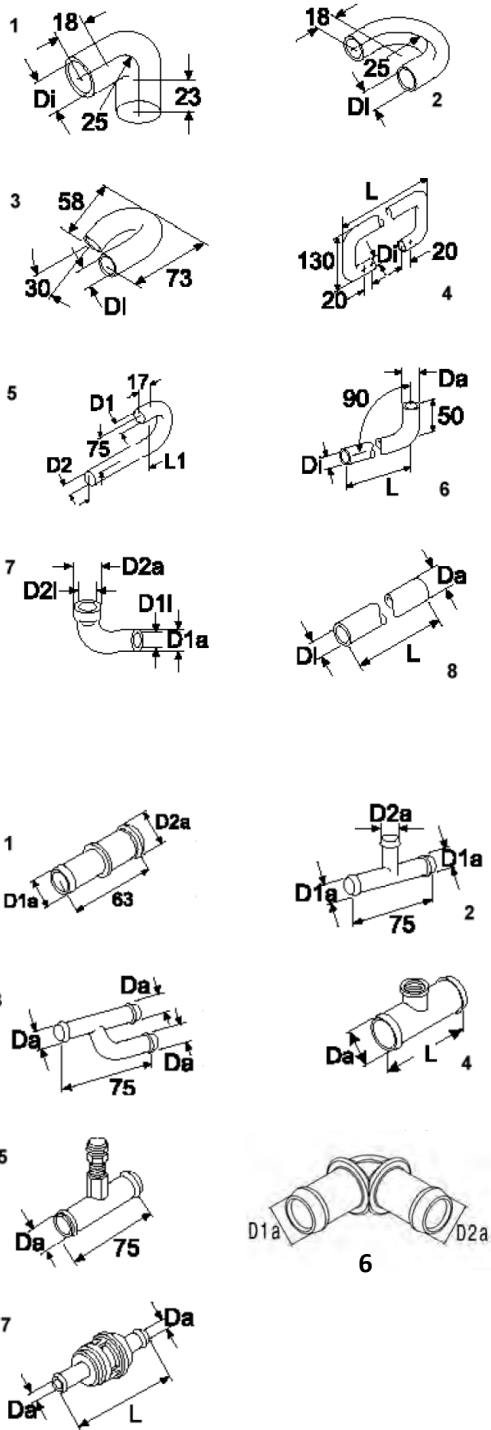
Item No	Description	Part No.
1	Universal Mounting Bracket TTE/C	1320178A
2	Universal Mounting Bracket TT Evo	1320500A
3	Mounting Strip <b>(MOQ 10 pcs) each</b>	9007918A
4	Angle Bracket (Universal) <b>(MOQ 10 pcs) each</b>	1320232A



# Water Heating Systems

## Thermo Top Range Water Heaters

### Water System

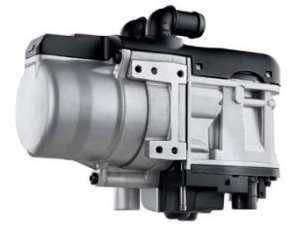


Item No	Description	Part No.
1	Formed Hose 90° Di18/Da25	1319418A
2	Formed Hose 180° Di 18/Da 25 Di 20/Da 27	1319401A 1319623A
3	Formed Hose Di18/Da25	1319419A
4	Formed Hose Di18/Da25 – 2200mm lg Di18/Da25 – 3000mm lg Di20/Da25 – 2200mm lg Light duty Di20/Da25 – 2200mm lg Heavy duty	1319455A 1320783A 1319268A 1319631A
5	Formed Hose Di18/Da25 – 576mm lg	1319421A
6	Formed Hose 1020mm lg Di18/Da27 Di22/Da29	1320794A 1320842A
7	Formed Hose D1i15/D1a22; D2i18/D2a25	1319402A
8	Straight Coolant Hose Di15/Da22 – 2400mm lg Di18/Da27 – 2000mm lg	1320300A 1319379A
Not Shown	Coolant Hose (sold as a 10m roll) 16mm-5/8" i.d. 19mm-3/4" i.d.	4116212A 4116375A

Item No	Description	Part No.
1	Connecting Tube: D1a15/D2a18 D1a15/D2a20 D1a18/D2a20 D1a18/D2a22 D1a20/D2a20 D1a20/D2a22	9005813B 1321000A 9005819C 1320155A 1320342A 1319594A
2	T Piece: D1a18/D2a15 D1a18/D2a18 D1a20/D2a15 D1a20/D2a20	1320532A 1321001A 1319290A 1319602A
3	Connection Pipe 18mm	1319266A
4	T Piece 4mm Thread for T/Stat Da15 65mm lg Da18 65mm lg	1319263A 1319519A
5	In line Bleed Valve Da15 75mm lg Da18 75mm lg Da 20 75mm lg	1319221A 1319219A 1320989A
6	Da 18/18 mm - Elbow Da 18/20 mm - Elbow	1321082A 1322277A
7	One Way Valve without Junction Da18 90mm lg Da20 100mm lg	1319250A 1319554A
Not Shown	19-19mm brass hose connector	4116378A
Not Shown	16-19 Dual T Piece	41K0020
Not Shown	5 litre plastic expansion tank kit Vertical 5 litre plastic expansion tank kit Horizontal	41K5210A 4111451A
Other Valves and T Pieces are available upon request		

# Water Heating Systems

## Thermo Pro 50 Eco 5.0kW Water Heater



Heater Technical Data (tolerance ±10%)			
			Diesel
ECE-Approval code	ECE R122 (Heater) ECE R10 (EMC)		E1 00 0334 E1 03 6271
Heat Output	Partial/Full Load	kW	2.5 / 5.0
Fuel Consumption	Partial/Full Load	kg/h	0.3 / 0.6
Rated Voltage		V	24
Rated Power Consumption with out circulation pump	Partial/Full Load	W	16 – 34
Fuel Type			Diesel EN590 PME EN 14214 up to 100% / Arctic Diesel / F34 / heating oil (EL)
Operating temperature range		°C	-40 to +80
Dimensions (LxBxH)		mm	218 x 91 x 144
Weight		Kg	2.1

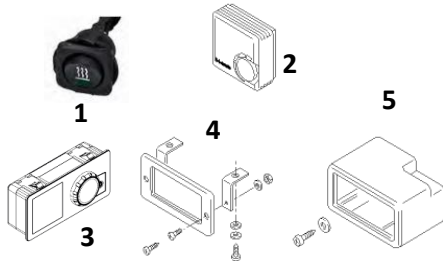
### Heater Kits

Part No	Description
9026553D	<b>Diesel</b> Thermo Pro 50 Eco Base kit (includes heater, fuel pump & water pump) without operating control 24v
9042558A	<b>Diesel</b> Thermo Pro 50 Eco High Altitude Base kit (2800m Auto Altitude) (includes heater, fuel pump & water pump) without operating control 24v
9026722A	Universal Installation kit for Thermo Pro 50 Eco (includes wiring harness, fuel tank extractor, exhaust, exhaust silencer, air intake silencer, water hoses, water connectors, heater bracket & mounting accessories)

# Water Heating Systems

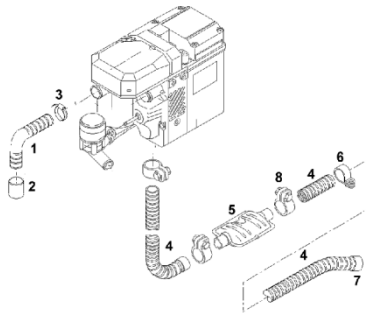
## Thermo Pro 50 Eco / Thermo 50 Water Heater

### Operating Controls



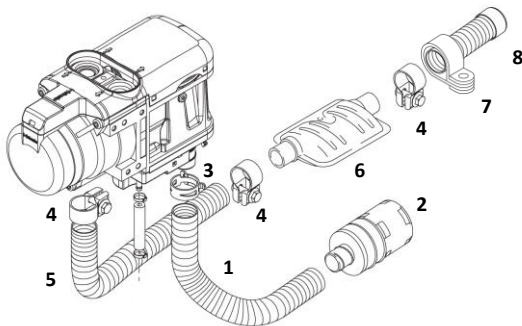
Item No	Description	Part No.
1	New style Rocker Switch 12/24v	9032550A
2	Room Thermostat Unswitched	1320587A
3	Uni Control includes cable 9034555A Uni Control - 1531 timer replacement kit Adapter cable – 10 pin to 4 pin Adapter cable – 10 pin to 12 pin 3m extension kit	9034520C 9034521C 9034555A 9034596A 9034597A
4	Timer Mounting Plate	474630
5	Timer Housing	475866

### Combustion Air & Exhaust



Item No	Description	Part No.
1	Combustion Air Pipe 18 mm	1320843A
2	Combustion Air Pipe End Cap 25mm <b>(MOQ 10 pcs) each</b>	1320257A
3	Hose Clip 20-27mm	9015918A
4	Flexible Exhaust 22mm (per m)	337390
5	Exhaust Silencer 22mm – Thermo 50	1320895A
6	P Clip 25mm	405256
7	Protection End Cap	1321679A
8	Exhaust Clamp 24-27mm	1320815A
Not Shown	Exhaust Lagging – 30mm	4116816A
Not Shown	Cable Ties (S/Steel for Lagging)	4116246A
Not Shown	Exhaust Adaptor 22-24mm	1320382A

Thermo Pro 50 ECO 24v

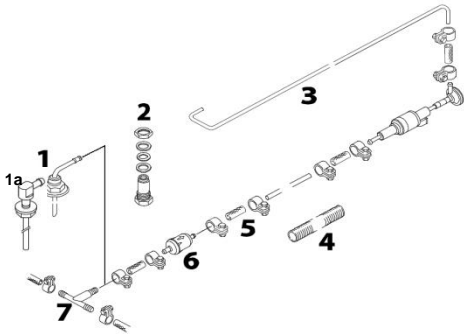


Item No	Description	Part No.
1	Combustion Air Pipe 22 mm (400mm)	1323271A
2	Combustion Air Silencer	9026725A
3	Hose Clip 20-27mm	9015918A
4	Exhaust Clamp 24-27mm	1320815A
5	Flexible Exhaust 22mm (per m)	337390
6	Exhaust Silencer 22mm - Thermo Pro 50 Eco	1320488A
7	P Clip 25mm	405256
8	Protection End Cap	1321679A
Not Shown	Exhaust Lagging	4116816A
Not Shown	Cable Ties (S/Steel for Lagging)	4116246A
Not Shown	Exhaust Adaptor 22-24mm	1320382A
Not shown	Exhaust Skin Fitting 24mm (Straight)	1320363A
	Exhaust Skin Fitting 24mm (90°)	1320364A
	Exhaust Skin Fitting 22mm (45°)	1319427A

# Water Heating Systems

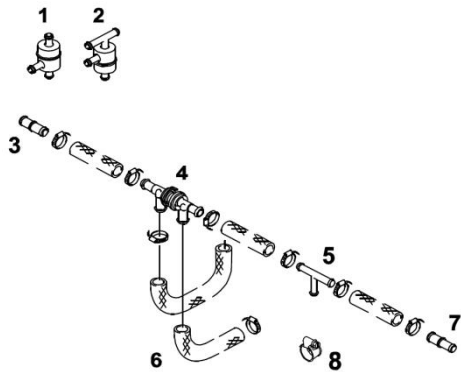
## Thermo Pro 50 Eco / Thermo 50 Water Heater

### Fuel Supply



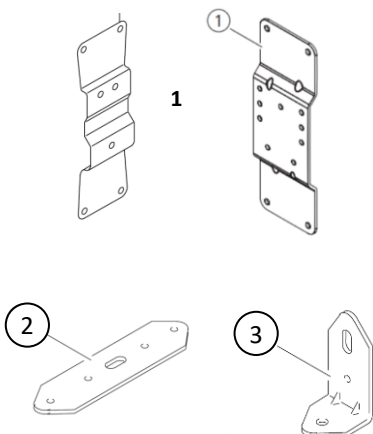
Item No	Description	Part No.
1	Fuel tank standpipe 650mm lg	1320399A
1a	Fuel tank standpipe low profile 495mm lg 8.5mm hole	4116691A
2	Tank Extractor 5mm	107762
3	Nylon fuel hose 2mm i.d. 5mm o.d. per metre	483931
4	Heat protection hose GA-A 14.5 standard length 5m	1321585B
5	Fuel hose connector (straight)	484032
6	Fuel Filter	1319466A
7	Fuel T Piece (See Thermo Top section for range available)	-

### Water System



Item No	Description	Part No.
1	Water thermostat 20/20/20	1320033A
2	Water thermostat 20/20/20/20	1320253A
3	Connection pipe 20mm	1320342A
4	Non return valve 18/18/18/18 Non return valve 20/20/20/20	1319486A 1319595A
5	T Piece 20/20/20 T Piece (with ventilation) 18mm	1319602A 1319219A
6	Formed Hose 180° Ends Di20 Da 27 2200 lg	1319631A
7	Connection tube 18x20	9005819C
8	Hose Clamp 20-27mm	9015918A
Not Shown	19-19mm brass hose connector	4116378A
Not Shown	16-19 Dual T Piece	41K0020
Not Shown	15-20 Hose Adaptor (MOQ 10 pcs) price each	1321000A
Not Shown	5 litre plastic expansion tank kit Vertical	41K5210A
Not Shown	5 litre plastic expansion tank kit Horizontal	4111451A

### Mounting



Item No	Description	Part No.
1	Mounting Bracket – Thermo 50 Mounting Bracket – Thermo Pro 50 Eco	1320880A 1321940A
2	Mounting Strip (MOQ 10 pcs) each	9007918A
3	Angle Bracket (Universal) (MOQ 10 pcs) each	1320232A

# Water Heating Systems

## Thermo Pro 90 9.1kW Water Heater



Technical Data (tolerance ±10%)			
			Diesel
Certification			Heater ECE R122 E1 00 0320 EMC ECE R10 E1 03 6196
Heat Performance	Control range/boost mode	kW	1.8 – 7.6 / 9.1
Fuel Consumption	Control range/boost mode	kg/h	0.2 – 0.9 / 1.1
Rated Voltage		V	12 / 24
Rated Power Consumption	Control range/boost mode	W	37 – 83 / 90
Fuel Type			Diesel EN590 / FAME according to DIN EN 14214 / heating oil (EL) according to DIN 51603-1 / NATO fuels F34, F58 and F63
Operating temperature range	With control unit	°C	-40 to + 125
Dimensions (LxWxH)	ECU to inlet con. Water pump	mm	382 x 131 x 232
Weight	With water pump	Kg	5.2

### Vehicle Heater Kits

*Please note that vehicle heater kits are only approved for vehicle applications.*

*Webasto Thermo & Comfort UK will not honour any liability caused by fitment of a vehicle heater kit in any non-road vehicle application.*

Part No	Description
9023075C	<b>Diesel</b> Thermo Pro 90 Base Heater with fuel pump without operating control 12v
9024620A	Universal Vehicle Installation Kit 12v for Thermo Pro 90
9023076C	<b>Diesel</b> Thermo Pro 90 Base Heater with fuel pump without operating control 24v
9024621A	Universal Vehicle Installation Kit 24v for Thermo Pro 90

### Marine Heater Kits

Part No	Description
4111135E	Diesel Thermo Pro 90 Marine heater kit 12v
4111185D	Diesel Thermo Pro 90 Marine heater kit 24v

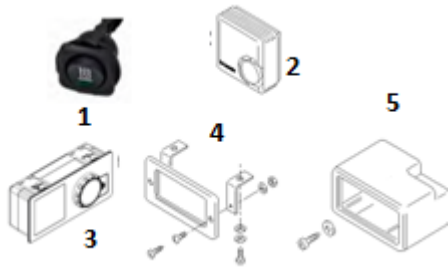
### Motorhome Heater Kits

Due to the diverse nature of installation requirements, please contact the Webasto Sales Team for pricing and application to suit your exact needs.

# Water Heating Systems

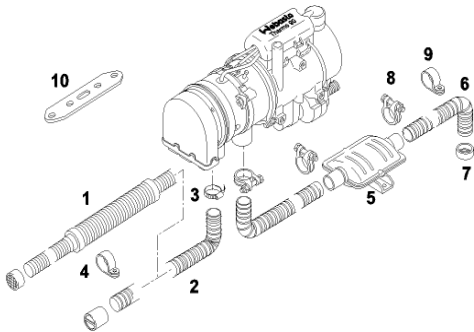
## Thermo Pro 90 / ST S Water Heaters

### Operating Controls



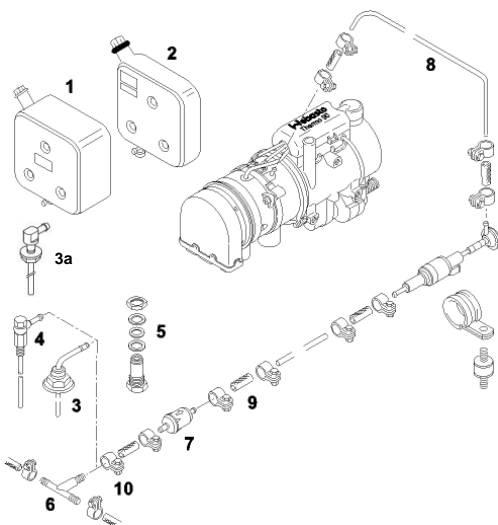
Item No	Description	Part No.
1	New style Rocker Switch 12/24v	9032550A
2	Room Thermostat Unswitched	1320587A
3	Uni Control includes cable 9034555A Uni Control - 1531 timer replacement kit Adapter cable – 10 pin to 4 pin Adapter cable – 10 pin to 12 pin 3m extension kit	9034520C 9034521C 9034555A 9034596A 9034597A
4	Timer Mounting Plate	474630
5	Timer Housing	475866
Not Shown	Marine 7 day programmable timer 12v	See Page 58
Not Shown	Thermo Connect 2 (operation via smartphone)	See Page 57
Not Shown	Smart Controller & Multi Controller	See Page 55

### Combustion Air & Exhaust



Item No	Description	Part No.
1	Intake Silencer Pipe	1320823A
2	Intake pipe D30 L1160 – Standard version Combustion Air Hose 30mm i/d per metre	1319607A 1321557A
3	Hose Clip 20-32mm	4116238A
4	P Clip 34mm	21499A
Not Shown	Combustion Air Hose End Cap 30mm	1320258A
5	Exhaust Silencer	1320840A
6	Exhaust 38mm (S/Steel per m)	353221
7	Exhaust End Cap	1320108A
8	Exhaust Clamp 38mm	1320194A
9	P Clip 42mm	1319693A
10	Mounting Strip ( <b>MOQ 10 pcs</b> ) each	9007918A
Not Shown	Exhaust Lagging (per m)	4116207A
Not Shown	S/Steel Cable Ties (for exhaust lagging)	4116246A
Not Shown	Exhaust skin fitting 38mm	1319428A

### Fuel Supply

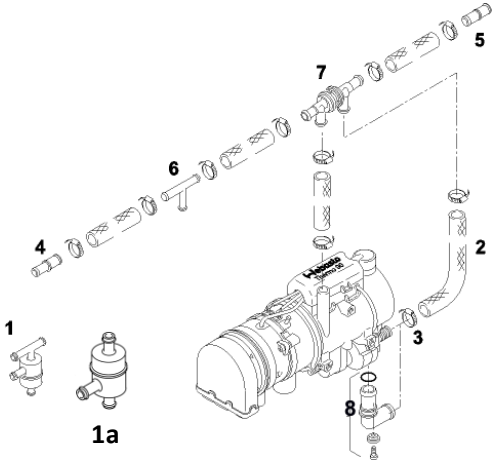


Item No	Description	Part No.
1	Plastic Fuel Tank 24 litres	1322531A
2	Plastic Fuel Tank 12 litres (no fittings)	1322707C
Not Shown	Fitting kit for 12l fuel tank	9025761A
3	Fuel Tank Standpipe 650mm lg	1320399A
3a	Fuel Tank Standpipe low profile 495mm lg 8.5mm hole	4116691A
4	Fuel Tank Extractor	1322632A
5	Fuel Tank Extractor	107762
6	Fuel T Piece (please refer to Thermo Top accessories)	-
7	Fuel Filter	1319466A
8	Nylon Fuel Hose 2mm id 5mm od per m	483931
Not Shown	Nylon Fuel Hose 2mm i.d. 5mm od 8m length	4116215A
9	Fuel Pipe Connector (Straight)	484032
10	Fuel Hose Clip 10mm	330027
Not Shown	Fuel Pump Harness T90S/ST 5m	1320950A
Not Shown	Fuel Pump Harness 7m DP42	9032269A
Not Shown	Fuel Pump Harness ECU Plug	9024074A
Not Shown	DP 42 Fuel Pump Plug kit	1318966A
Not Shown	Fuel Pipe Connector 90°	1320134A
Not Shown	Fuel Cut Off Switch Only (Type v4)	4118485A
Not Shown	Fuel Cut Off Switch Kit with DP42 Plug & Label	4114917A
Not Shown	Fuel Cut Off Kit (Tap Type)	4111812A
Not Shown	Marine Fuel Filter and stop tap kit	4110766A
Not Shown	Marine fuel hose 5mm ISO7840 (per m)	4116220A
Not Shown	Hose clips stainless steel 8-12mm	4116582A
Not Shown	Marine Fuel Pump Insulation Jacket	4116793A

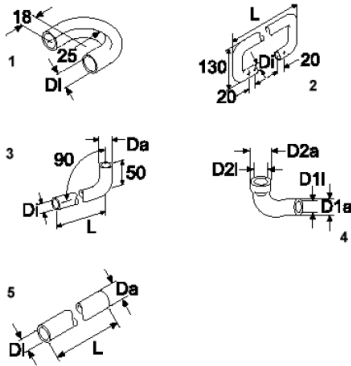
# Water Heating Systems

## Thermo Pro 90 / ST / S Water Heaters

### Water System

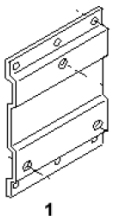


Item No	Description	Part No.
1	Thermostat Valve 59 °C, 20mm	1320253A
1	Thermostat Valve 59 °C, 18mm	1319986A
1a	Thermostat Valve 70 °C, 20mm	1320033A
2	Hose 20mm/ 2.2m lg	1319631A
3	Hose Clamp 20-27mm - each	9015918A
4	Connecting Tube 18 x 20 - each	9005819C
5	Connecting Tube 20 x 20	1320342A
6	T Pieces: 20 x 15 x 20mm 20 x 20 x 20mm	1319290A 1319602A
7	Check Valve 20mm	1319595A
8	Elbow 20mm 90°	22524B
Not Shown	19-19mm brass hose connector	4116378A
Not Shown	16-19 Dual T Piece	41K0020
Not Shown	15-20 Hose Adaptor - each	1321000A
Not Shown	5 litre plastic expansion tank kit V	41K5210A
Not Shown	5 litre plastic expansion tank kit H	4111451A



Item No	Description	Part No.
1	Formed Hose 180° Di20 Da27	1319623A
2	Di20/Da25 – 2200mm lg Light duty Di20/Da25 – 2200mm lg Heavy duty	1319268A 1319631A
3	Formed Hose Di22 Da 29 1020 lg	1320842A
4	Formed Hose D1i 15/D1a22; D2i 18/D2a 25	1319402A
5	Straight Hose Di 15/Da22 2400mm lg	1320300A
Not shown	Coolant Hose (sold as a 10m roll) 16mm-5/8" i.d. 19mm-3/4" i.d.	4116212A 4116375A

### Mounting



Item No	Description	Part No.
1	Universal Mounting Plate	1320505A

# Water Heating Systems



## Thermo Top Pro 120 12kW/ 150 15kW Water Heaters

Technical Data (tolerance ±10%)			
		Thermo Top Pro 120	Thermo Top Pro 150
EG-Type Approval code	ECE R 122 ECE R 10 (EMC)	E1 00 480, E1 00 0481 E1 05 7735	
Heat Performance	kW	12	15
Fuel Consumption	kg/h	1.37	1.45
Rated Voltage	V	12/24	12/24
Rated Power Consumption (without water pump)	W	80	100
Fuel Type		Diesel DIN EN 590, Heating Oil (EL) DIN 51603, B30 DIN E 14212, HVO/GtI DIN EN 15940	
Operating temperature range	°C	-40 to +80	
Dimensions (LxBxH)	mm	470 x 200 x 200	
Weight	Kg	11	
Coolant Pump U4850			
Volume flow against 0.56 bar	l/hr	1,500	
Weight	Kg	0.66	
Dimensions		117.8 x 80	

### Vehicle Heater Kits

Part No	Description
9035585A	Thermo Top Pro 120 12v Base Heater and Water Pump (no control)
9035584A	Thermo Top Pro 120 24v Base Heater and Water Pump (no control)
9035583A	Thermo Top Pro 150 12v Base Heater and Water Pump (no control)
9035582A	Thermo Top Pro 150 24v Base Heater and Water Pump (no control)
9035492A	Installation kit 12v (inc wiring harness, exhaust, coolant hose, fuel filter and fittings)
9035160A	Installation kit 24v (inc wiring harness, exhaust, coolant hose, fuel filter and fittings)

### Marine Heater Kits

Part No	Description
4117127B	Thermo Top Pro 120 12v Heater Kit inc. Multi
4117128B	Thermo Top Pro 150 12v Heater Kit inc. Multi
4117131B	Thermo Top Pro 120 24v Heater Kit inc. Multi
4117132B	Thermo Top Pro 150 24v Heater Kit inc. Multi

### Operating Controls

Part No	Description
9032550A	Rocker Switch On/Off 12/24v
9034521C	UniControl Timer 1531 12/24v with adapter cable



# Water Heating Systems

Valeo

Thermo Plus 230 23kW / Thermo Plus 300 30kW

Thermo Plus 350 35kW Water Heaters



Technical Data (tolerance ±10%)					
			Thermo Plus 230	Thermo Plus 300	Thermo Plus 350
ECE-Type Approval	E1 122R 00		0466	0467	0468
Heat Performance	Control range	kW	23	30	35
Fuel Consumption	Control range	kg/h	2.5	3.0	3.6
Rated Voltage		V	24		
Rated Power Consumption (without pump)	Control range	W	60	90	120
Fuel Type			Diesel DIN EN 590 Bio Diesel (FAME) DIN EN 14214 (max 20%) Paraffinic Diesel Fuel from synthesis or hydro-gena-tion (HV)		
Permitted ambient Operating temperature range		°C	-40 to + 100		
Dimensions (LxBxH)		mm	540 x 250 x 222		
Weight		Kg	16		

## Vehicle Heater

Part No	Description
SPH11121358A	Thermo Plus 230 24v
SPH11121360A	Thermo Plus 300 24v
SPH11121362A	Thermo Plus 350 24v

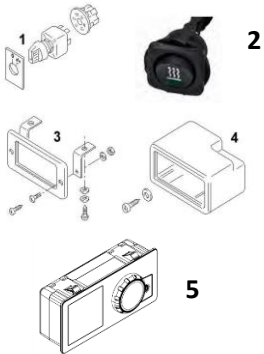
The above are heaters only – Please refer to application parts as required.

# Water Heating Systems

Valeo

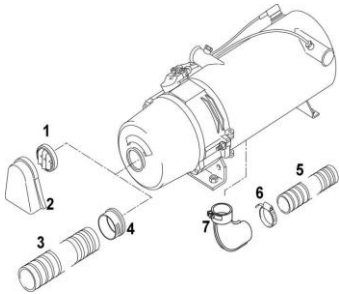
Thermo Plus 230 / Thermo Plus 300 / Thermo Plus 350 Water Heaters

## Operating Controls



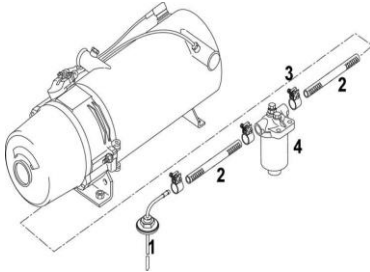
Item No	Description	Part No.
1	2 Position Switch 24v - POA	2711011A
2	New style Rocker Switch 12/24v	9032550A
3	Timer Mounting Plate	474630
4	Timer Housing	475866
5	Uni Control includes cable 9034555A Uni Control - 1531 timer replacement kit Adapter cable – 10 pin to 4 pin Adapter cable – 10 pin to 12 pin 3m extension kit	9034520C 9034521C 9034555A 9034596A 9034597A

## Combustion Air & Exhaust



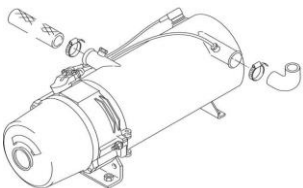
Item No	Description	Part No.
1	Grid	1320102A
2	Hose Protection Guard	9036251A
3	Flexible Pipe 55mm – per m	441376
4	Connector Pipe 55mm	1319215A
5	Flexible Exhaust (S/Steel) 70mm	479721
6	Exhaust Clamp 68-71mm	4116233A
7	Exhaust Elbow with spigot 90° 70mm	1319441B
Not Shown	Exhaust Elbow 90° 70mm	1319439A
Not Shown	Exhaust End Cap 70mm	1319619A
Not Shown	Exhaust U Clamp 71mm	4116266A

## Fuel Supply



Item No	Description	Part No.
1	Fuel Standpipe – Twin Outlet	1322830B
2	Fuel Hose Braided Rubber 5mm i.d. 10mm o.d. 5 metre length	1321559A
3	Hose Clip 10mm	330027
4	Fuel Filter (Complete)	1319291A
Not Shown	Fuel Filter Element	1320031A
Not Shown	Fuel Filter Gasket	1319706A
Not Shown	Hose Clip 8mm (price per piece)	1320244A
Not Shown	Hose Clip 12mm	379670
Not Shown	Fuel Pipe Nylon 6mm id 8mm o.d.	4116206A
Not Shown	Fuel Pipe Connector 8mm id – L = 70mm	1322451A
Not Shown	Fuel Tap with lever ¼	4116123A
Not Shown	¼ BSP T Handle Ball Valve	4116124A

## Water System



Item No	Description	Part No.
Not Shown	Elbow 38mm 90°	1320927A
Not Shown	Elbow 38mm 90° 130mm leg	4116200A
Not Shown	Elbow 38/35mm 90°	4116199A
Not Shown	Reducer 38-35mm	4116198A
Not Shown	Hose Clip 40-55mm	139688
Various water valves and connectors are available upon request		

# Integrated Heating Systems

## Dual Top ST Range

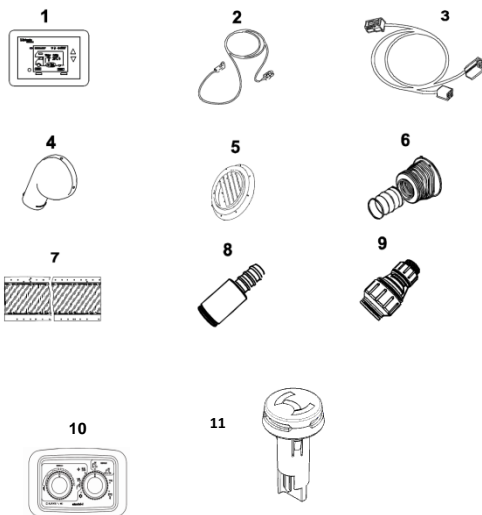


Technical Data (tolerance ±10%)			
			Dual Top Evo 6 / Dual Top Evo 8
EG-Type Approval code	Heater EMC		e1 00 0195 e1 03 5000
Power Output	Diesel Electrical	kW kW	Dual Top Evo 6 - 1.5 – 6.0 Dual Top Evo 8 - 1.0 – 2.0
Fuel Consumption	Control Range	kg/h	0.1 – 0.6
Rated Voltage		V	12
Rated Power Consumption	Control Range	W	15 – 65
Heating Air Flow (against 0.5m/bar)		m <sup>3</sup> /h	200
Fuel Type			Diesel EN 590
Operating temperature range		°C	-30 to +50
Dimensions (LxBxH)		mm	530 x 352 x 256
Weight		Kg	23 / 24
Boiler capacity		l	10
Maximum pressure plumbing water		Bar	3.5

### Heater Kits

The Dual Top Heater production has now ceased and is no longer available. Parts and accessories are still available and for further advice please contact our sales team on 01302381118.

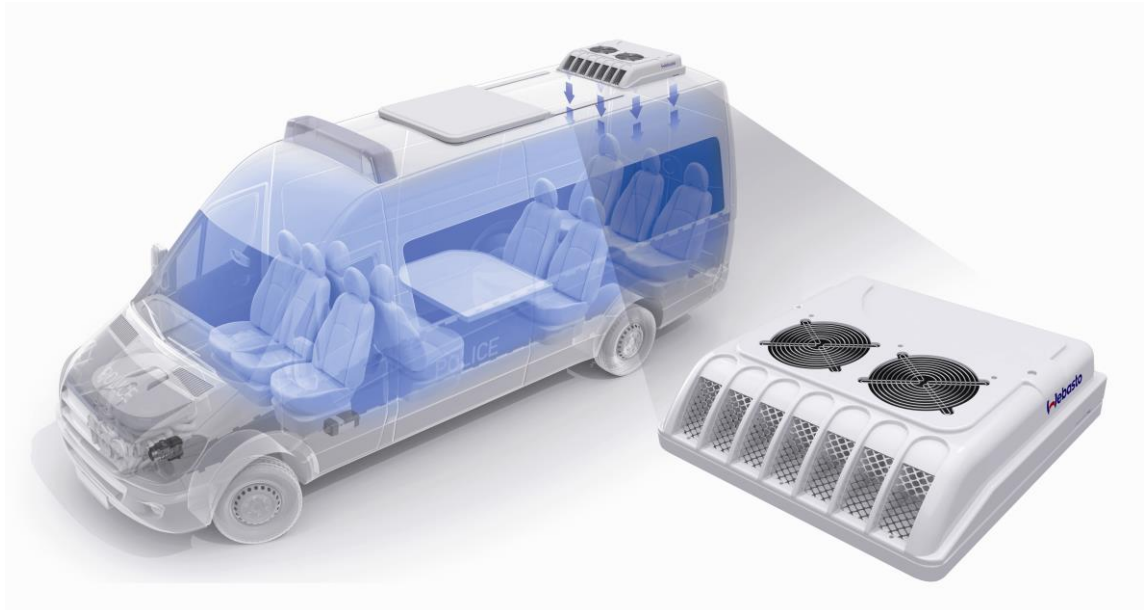
### Accessories



Item No	Description	Part No.
1	Programmable User Interface (PUI) Dual Top Evo ST 6 / 8	1320808A
2	Dosing pump wiring harness extension DP 40/42 1m	1321781B
2	Dosing pump wiring harness extension DP 40/42 3m	1319526A
2	Dosing pump wiring harness extension DP 40/42 5m	1321836A
2	Dosing pump wiring harness extension DP 40 7m	1319527A
3	Operating Control Wiring Harness Extension Dual Top Evo ST 6 3m	9021976A
3	Operating Control Wiring Harness Extension Dual Top Evo ST 8 3m	9021975A
4	Air Intake Cover 60mm	1314904A
5	Air Outlet 90mm, 90° black	1320932A
6	Air Inlet Bellows Kit	9018647C
7	Ducting – refer to ducting accessories section in Air Top 2000ST / Air Top Evo	N/A
8	10/10mm Pushfit/flexipipe conn. (MOQ 2 pcs)	9022380A
9	15/10mm Pushfit/Pushfit conn.	9022381A
10	Manual User Interface (MUI) Dual Top Evo ST 6	1319988A
11	Button Style Ext. Temp Sensor 3m (Leisure)	9030882A
Not Shown	Panel Frame for MUI	1315197A

# Vehicle Air Conditioning Systems

*The right climate is essential!*



Webasto offer an extensive product portfolio of versatile and robust air conditioning solutions for virtually all vehicles within the commercial vehicle sector, including roof-top compact air-conditioning systems, split-systems or integrated evaporator units.

Our fast and cost-effective retro-fitting solutions ensure an optimum climate in the mobile workplace or in the passenger area. An air-conditioned workplace contributes to a better concentration capacity and assists with driver endurance.

Thanks to our experience in the automotive industry, we are able to provide bespoke vehicle air conditioning systems to meet your exact requirements.

Please contact our Sales Department for further information & pricing for your project.





# Create Your Own Tap In A/C System

- **A + B + C (12 or 24v) + D or E or F + G**  
= Vehicle specific Tap In System

- A= Tap In Adapter
- B= Hose length (8mtr / 12mtr)
- C= Evaporator (12v or 24v)
- D= Direct Mount Grill

Or

- E= Direct Mount Vent

Or

- F = Ducting Module (5mtr / 10mtr / 20mtr)
- G = Electrical Kit

Ensure you have 5 separate modules to create a system

Please contact our Sales Department for further information & pricing for your project.

# Vehicle Tap In Air Conditioning Systems



## A Tap in Kits

Part No	Description	Year
4112513*	VW Transporter T6	2016 to present
4112514*	Citroen Relay	2011 to present
4112514*	Peugeot Boxer	2011 to present
4112514*	Fiat Ducato	2011 to present
4112516*	Renault Master FWD	2014 to present
4112516*	Nissan NV400 FWD	2014 to present
4114473*	Renault Trafic	2015 to present
4114473*	Vauxhall Vivaro (Renault Platform)	2015 to 2020
4114473*	Nissan NV300 (Renault Platform)	2015 to present
4114475*	Ford Transit Custom	2012 to present
4114475*	Ford Transit FWD	2013 to present
4114475*	Ford Transit RWD	2013 to present
4114475*	Ford Transit Connect	2013 to present
4115254* BLOCK ONLY	VW Amarok	2010 to present
4117855*	Mercedes Sprinter W910 FWD	2018 to present
4117855*	Mercedes Sprinter W907 RWD	2018 to present
4118370*	Vauxhall Vivaro (PSA Platform)	2020 to present
4118370*	Citroen Dispatch	2018 to present
4118370*	Toyota Proace	2018 to present
4118370*	Peugeot Expert	2018 to present
4118535*	VW Crafter 2	2018 to present
4118535*	MAN TGE	2018 to present
4118583*	VW Caddy	2018 to present
4118584*	Iveco Daily	2014 to present
4118585*	Vauxhall Combo	2019 to present
4118585*	Citroen Berlingo	2019 to present
4118585*	Peugeot Partner	2019 to present

Tap in adapters correct at time of publication. Check for validity.

## B Tap-In System hose kit

Part No	Description
4118528A	KIT Refrigerant Hose 8m Tap In UK BASIC
4118529A	KIT Refrigerant Hose 12m Tap In UK BASIC

# Vehicle Air Conditioning Systems



## C Evaporators 12v



Part No	Description
4115201*	Oakland (A/C) (Black) (R134a)
4118468*	Baltimore (HVAC) (Black) (R134a)
4118470*	Montreal (A/C) (Grey) (R134a)
4118527*	Quebec (HVAC) (Grey) ( <b>without</b> heater control) (R134a)
4118526*	Quebec (HVAC) (Grey) ( <b>with</b> heater control) (R134a)
4118362*	Glasgow (A/C) (Black) (R134a)
4118491*	Oslo (HVAC) (Black) (R134a)
4113985*	Marbella (A/C) (Black) (R134a)
4118523*	Ibiza (HVAC) (Black) (R134a)
4112489*	Vancouver (A/C) (Black) (R134a)
4118108*	London (HVAC) (Black) (R134a)
4112490*	Moscow (A/C) (Black) (R134a)
4118490*	Kiev (HVAC) (Black) (R134a)
4118469*	Minsk (A/C) (White) ( <b>ROOF MOUNT</b> )
4118560*	Vancouver (A/C) (Black) (R1234yf)
4118561*	London (HVAC) (Black) (R1234yf)
4118562*	Glasgow (A/C) (Black) (R1234yf)
4118563*	Oslo (HVAC) (Black) (R1234yf)
4118700*	Montreal (A/C) (Grey) (R1234yf)

### Baltimore / Oakland



### Glasgow / Oslo



### Montreal / Quebec



### Marbella



### Ibiza



### London



### Vancouver



### Moscow / Kiev



### Minsk



# Vehicle Air Conditioning Systems



## C Evaporators 24v



Part No	Description
4118474*	Oakland (A/C) (Black) (R134a)
4118471*	Baltimore (HVAC) (Black) (R134a)
4118472*	Montreal (A/C) (Grey) (R134a)
4118534*	Quebec (HVAC) (Grey) ( <b>without</b> heater control) (R134a)
4112963*	Quebec (HVAC) (Grey) ( <b>with</b> heater control) (R134a)
4118492*	Glasgow (A/C) (Black) (R134a)
4118496*	Oslo (HVAC) (Black) (R134a)
4118525*	Marbella (A/C) (Black) (R134a)
4118524*	Ibiza (HVAC) (Black) (R134a)
4115142*	Vancouver (A/C) (Black) (R134a)
4112964*	London (HVAC) (Black) (R134a)
4118473*	Moscow (A/C) (Black) (R134a)
4118493*	Kiev (HVAC) (Black) (R134a)
4118495*	Minsk (A/C) (White) ( <b>ROOF MOUNT</b> )

### Baltimore / Oakland



### Glasgow / Oslo



### Montreal / Quebec



### Marbella



### Ibiza



### London



### Vancouver



### Moscow / Kiev



### Minsk





# Vehicle Air Conditioning Systems



## D Direct Mount Hood – Single Grill

Part No	Description
62U003AA018A	Oakland (A/C) (Black) (R134a)
62U003AA018A	Baltimore (HVAC) (Black) (R134a)
N/A	Montreal (A/C) (Grey) (R134a)
N/A	Quebec (HVAC) (Grey) ( <b>without</b> heater control) (R134a)
N/A	Quebec (HVAC) (Grey) ( <b>with</b> heater control) (R134a)
62U003AA021A	Glasgow (A/C) (Black) (R134a)
62U003AA021A	Oslo (HVAC) (Black) (R134a)
N/A	Marbella (A/C) (Black) (R134a)
N/A	Ibiza (HVAC) (Black) (R134a)
62U003AA021A	Vancouver (A/C) (Black) (R134a)
62U003AA021A	London (HVAC) (Black) (R134a)
N/A	Moscow (A/C) (Black) (R134a)
N/A	Kiev (HVAC) (Black) (R134a)
62U003AA021A	Vancouver (A/C) (Black) (R1234yf)
62U003AA021A	London (HVAC) (Black) (R1234yf)
62U003AA021A	Glasgow (A/C) (Black) (R1234yf)
62U003AA021A	Oslo (HVAC) (Black) (R1234yf)

Oakland / Baltimore



Glasgow / Oslo /  
London / Vancouver



# Vehicle Air Conditioning Systems



## E Direct Mount Hood – Vents

Part No	Description
62U003AA017A	Oakland (A/C) (Black) <b>(R134a)</b>
62U003AA017A	Baltimore (HVAC) (Black) <b>(R134a)</b>
62U003AA055A	Montreal (A/C) (Grey) <b>(R134a)</b>
62U003AA055A	Quebec (HVAC) (Grey) <b>(without heater control) (R134a)</b>
62U003AA055A	Quebec (HVAC) (Grey) <b>(with heater control) (R134a)</b>
62U003AA020B	Glasgow (A/C) (Black) <b>(R134a)</b>
62U003AA020B	Oslo (HVAC) (Black) <b>(R134a)</b>
N/A	Marbella (A/C) (Black) <b>(R134a)</b>
N/A	Ibiza (HVAC) (Black) <b>(R134a)</b>
62U003AA020B	Vancouver (A/C) (Black) <b>(R134a)</b>
62U003AA020B	London (HVAC) (Black) <b>(R134a)</b>
62U003AA025A	Moscow (A/C) (Black) <b>(R134a)</b>
62U003AA025A	Kiev (HVAC) (Black) <b>(R134a)</b>
62U003AA020B	Vancouver (A/C) (Black) <b>(R1234yf)</b>
62U003AA020B	London (HVAC) (Black) <b>(R1234yf)</b>
62U003AA020B	Glasgow (A/C) (Black) <b>(R1234yf)</b>
62U003AA020B	Oslo (HVAC) (Black) <b>(R1234yf)</b>

Oakland / Baltimore



Montreal / Quebec



Vancouver / London  
Glasgow / Oslo /



Moscow / Kiev



# Vehicle Air Conditioning Systems



## F Direct Mount Hood – Ducting Module 5m

Part No	Description
4117124*	Oakland (A/C) (Black) (R134a)
4117124*	Baltimore (HVAC) (Black) (R134a)
4118465*	Montreal (A/C) (Grey) (R134a)
4118465*	Quebec (HVAC) (Grey) ( <b>without</b> heater control) (R134a)
4118465*	Quebec (HVAC) (Grey) ( <b>with</b> heater control) (R134a)
4112505*	Glasgow (A/C) (Black) (R134a)
4112505*	Oslo (HVAC) (Black) (R134a)
4113987*	Marbella (A/C) (Black) (R134a)
4113987*	Ibiza (HVAC) (Black) (R134a)
4112505*	Vancouver (A/C) (Black) (R134a)
4112505*	London (HVAC) (Black) (R134a)
4112502*	Moscow (A/C) (Black) (R134a)
4112502*	Kiev (HVAC) (Black) (R134a)
Air Distribution Plate - See Catalogue	Minsk (A/C) (White) ( <b>ROOF MOUNT</b> )
4112505*	Vancouver (A/C) (Black) (R1234yf)
4112505*	London (HVAC) (Black) (R1234yf)
4112505*	Glasgow (A/C) (Black) (R1234yf)
4112505*	Oslo (HVAC) (Black) (R1234yf)

## Direct Mount Hood – Ducting Module 10m

Part No	Description
N/A	Oakland (A/C) (Black) (R134a)
N/A	Baltimore (HVAC) (Black) (R134a)
4118467*	Montreal (A/C) (Grey) (R134a)
4118467*	Quebec (HVAC) (Grey) ( <b>without</b> heater control) (R134a)
4118467*	Quebec (HVAC) (Grey) ( <b>with</b> heater control) (R134a)
4112504*	Glasgow (A/C) (Black) (R134a)
4112504*	Oslo (HVAC) (Black) (R134a)
4118466*	Marbella (A/C) (Black) (R134a)
4118466*	Ibiza (HVAC) (Black) (R134a)
4112504*	Vancouver (A/C) (Black) (R134a)
4112504*	London (HVAC) (Black) (R134a)
4112501*	Moscow (A/C) (Black) (R134a)
4112501*	Kiev (HVAC) (Black) (R134a)
Air Distribution Plate - See Catalogue	Minsk (A/C) (White) ( <b>ROOF MOUNT</b> )
4112504*	Vancouver (A/C) (Black) (R1234yf)
4112504*	London (HVAC) (Black) (R1234yf)
4112504*	Glasgow (A/C) (Black) (R1234yf)
4112504*	Oslo (HVAC) (Black) (R1234yf)

# Vehicle Air Conditioning Systems



## F Direct Mount Hood – Ducting Module 20m

Part No	Description
N/A	Oakland (A/C) (Black) (R134a)
N/A	Baltimore (HVAC) (Black) (R134a)
N/A	Montreal (A/C) (Grey) (R134a)
N/A	Quebec (HVAC) (Grey) ( <b>without</b> heater control) (R134a)
N/A	Quebec (HVAC) (Grey) ( <b>with</b> heater control) (R134a)
4112503*	Glasgow (A/C) (Black) (R134a)
4112503*	Oslo (HVAC) (Black) (R134a)
N/A	Marbella (A/C) (Black) (R134a)
N/A	Ibiza (HVAC) (Black) (R134a)
4112503*	Vancouver (A/C) (Black) (R134a)
4112503*	London (HVAC) (Black) (R134a)
4112500*	Moscow (A/C) (Black) (R134a)
4112500*	Kiev (HVAC) (Black) (R134a)
Air Distribution Plate - See Catalogue	Minsk (A/C) (White) ( <b>ROOF MOUNT</b> )
4112503*	Vancouver (A/C) (Black) (R1234yf)
4112503*	London (HVAC) (Black) (R1234yf)
4112503*	Glasgow (A/C) (Black) (R1234yf)
4112503*	Oslo (HVAC) (Black) (R1234yf)



# Vehicle Air Conditioning Systems



## G Electrical Kits 12v

Part No	Description
4118363*	3 Speed Remote Switch 12v
4118666* & 4118611*	Tap-In 'Pharma' / Dog Van A/C ONLY 12v
4118666* & 4118611* & 4118668*	Tap-In 'Pharma' / Dog Van Climate including TT EVO 12v
4112508*	Tap In climate – AT2000 STC 12v – Air Top kit not included
4112509*	Tap In climate – EVO 40 / 55 12v - Air Top kit not included
4118699*	Tap In Wet Climate (coolant heating) 12v – Heater kit not included

## Electrical Kits 24v – Contact sales for application



3 speed switch



Tap-in Pharma

NB: Various consumables and fixings maybe required to complete an application. These are the responsibility of the installer. TT EVO 12v needs a header tank to be added.

Also note the following points regarding Tap in A/C systems

- The kits advised are based on a vehicle with a factory fitted air con with **R134a** refrigerant. If the base vehicle is supplied with **R1234yf** (new refrigerant) you will need to review kit content, costings and installation requirements.
- The vehicle convertor/installer is responsible for ensuring that any modification works to vehicles, meets the relevant vehicle manufacturer guidelines and is compliant with all industry, application and safety regulations and standards.
- Webasto UK warranty is limited to the materials supplied within its scope and does not include any OEM installed components, whether these are utilized as part of an extended A/C system by request of the end user, vehicle convertor or not

Please contact our Sales Department for further information & pricing for your project.

# Electric Parking Cooler Cool Top RTE Range

*Comfort and efficiency!*



RTE23



Condenser with double brushless fans with low power consumption, low noise and long service life.

Electronic system controller to provide stable performance.



Different colors available.

Very high cooling capacity compared to competitors products on the market. Suitable for a wide range of vehicles, compatible with the original vehicle interiors (extra cost).

- Parking cooling without engine operation
- Energy-efficient operation
- Optimum air distribution and quiet operation
- Low voltage cut-off facility ensures the engine will start
- Specific dedicated truck fitting kits are also available - contact for further details

Technical Data (tolerance ±10%)		Cool Top RTE 16	Cool Top RTE 23
Nominal Cooling capacity	W	1600	900-2500
Refrigerant		R134a	R134a
Nominal voltage	V	24	24
Max power consumption at 24v	A	23	17.5-51
Max operating temperature		+45°C ambient temperature	+45°C ambient temperature
Max evaporator blowing volume	m <sup>3</sup> /h	650	150-420
Dimensions	mm	Condenser : 645 x 920 x 140 Evaporator : 387 x 349 x 165	Condenser : 990 x 734 x 163 Evaporator : 350 x 355 x 138
Installation Height (depending on cabin type)	mm	142	163
Weight	Kg	23.4	28

Part No	Description
IND-CTRTE1600	Cool Top RTE 16 Unit with Remote Control
IND-2-6-1122-2	Universal Installation Kit – Cool Top RTE 16
	Specific vehicle installation kits available.

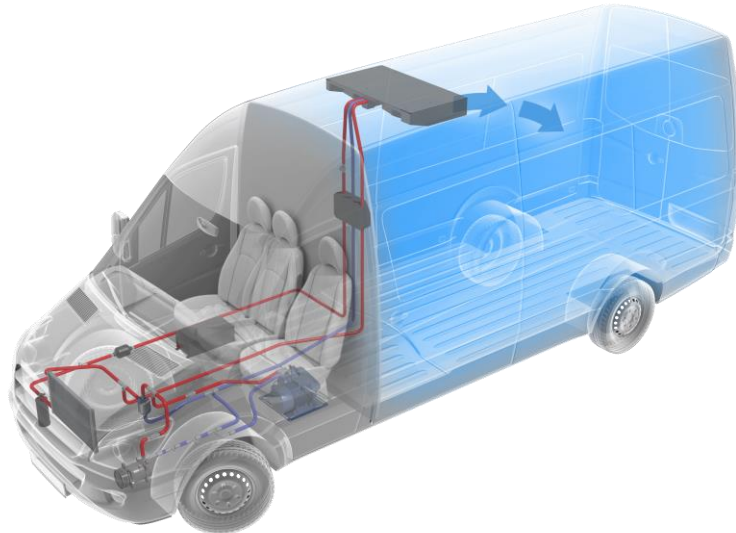


Part No	Description
4810134A	Parking cooler white-Cool Top 23 RT-E

Please contact our Sales Department for further information & pricing for your project.

# Transport Refrigeration

*High performance – compact solutions!*



Our transport refrigeration systems ensure that cargo areas are at an optimal temperature in a reliable, efficient manner. The Webasto range of tailor-made air-conditioning solutions is perfectly adapted to your vehicle and generate a constant level of cooling which is distributed evenly.

Automatic temperature controls ensure that perishable goods are transported at the right temperature and at the correct level of humidity. Due to its modular construction as well as a wide range of accessories, it is possible to construct a tailor-made transport refrigeration solution in accordance with your wishes.

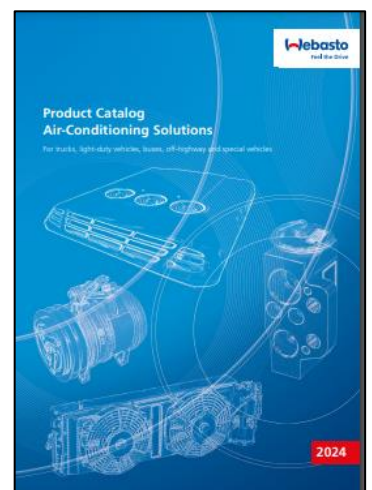
Please contact our Sales Department for further information & pricing for your project

For more information please click here -

<https://www.webasto.com/en-int/cooling/transport-refrigeration.html>

For catalogue download click here -

[https://www.webasto.com/content/dam/global-brand/marketing/catalogs/Webasto\\_Cooling\\_Solutions\\_Product\\_Catalog\\_2023-2024\\_EN.pdf.coredownload.inline.pdf](https://www.webasto.com/content/dam/global-brand/marketing/catalogs/Webasto_Cooling_Solutions_Product_Catalog_2023-2024_EN.pdf.coredownload.inline.pdf)



# Cool Top Trail Range - RV

*Ideal Climate!*



- Powerful units with high cooling and heating capacity
- Robust, Lightweight and Low Noise
- Wide Operating Range from -5 to + 50°C
- Low profile and compact design
- Easy installation
- Comfortable temperature adjustment via remote control

Technical Data (tolerance ±10%)		Cool Top Trail 20	Cool Top Trail 24	Cool Top Trail 28	Cool Top Trail 34
Cooling capacity	W	2000	2400	2800	3400
Heating capacity	W	2000	2400	2600	3000
Nominal voltage/frequency	V/ Hz	230/50	230/50	230/50	230/50
Rated Current (cooling mode)	A	3.0	4.2	5.0	5.8
Rated Current (heating mode)		2.6	3.8	4.8	5.4
Operating temperature range	°C	-5 to 50	-5 to 50	-5 to 50	-5 to 50
Roof Thickness	m m	25 to 85	25 to 85	25 to 70	25 to 70
Roof cut out	m	400 x 400	400 x 400	400 x 400	400 x 400
Roof cut out (with optional adaptor frame)	m	360 x 360	360 x 360	360 x 360	360 x 360
Dimensions External Unit LxWxH	m	1002 x 566 x 215	1002 x 566 x 215	855 x 657 x 215	1122 x 850 x 223
Dimensions Internal Unit LxWxH	m	557 x 536 x 43	557 x 536 x 43	575 x 556 x 49	575 x 556 x 49
Weight	Kg	30.8	31.8	35.5	48

Part No	Description
9039071A	Cool Top Trail 20
9039072A	Cool Top Trail 24
4118628A	Cool Top Trail 28
9039073A	Cool Top Trail 34
HGN3610007	Optional Adaptor Frame 360 x 360 mm

Please contact our Sales Department for further information & pricing for your project.

For more information please click here - <https://www.webasto-comfort.com/int/product-overview/product/show/cool-top-trail-2024342835-1/>



# Cool Top Trail Range - RV

*Ideal Climate!*

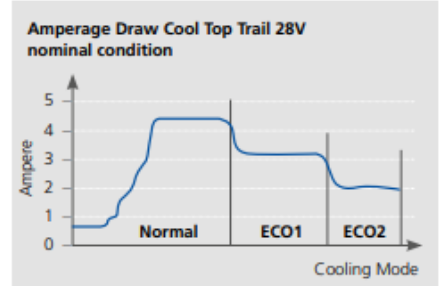


- Powerful units with high cooling and heating capacity
- Robust, Lightweight and Low Noise
- Wide Operating Range from -5 to +50°C
- Low profile and compact design
- Easy installation
- Comfortable temperature adjustment via remote control

**NEW**

## The advantages of the Cool Top Trail 28V/36V

- Powerful units with high cooling and heating capacity
- Variable speed compressor technology provides low noise levels, high efficiency and eliminates any starting peak
- Amperage limitation function ECO1 and ECO2
- Low profile and compact design
- Turbo mode to provide fast cool down or heat up of vehicle



## Technical specifications

	Cool Top Trail 28V	Cool Top Trail 36V
Cooling capacity (W)	2.800	3.600
Heating capacity (W)	2.600	3.300
Nominal voltage/frequency (V)/(Hz)	230~/50	230~/50
Rated current (cooling mode) (A)	4.8	6.4
Rated current (heating mode) (A)	4.8	6.2
Operating temperature range (°C)	-5 to 50	-5 to 50
ECO1 (cooling mode, fan mode high) (A)	3.3	4.2
ECO2 (cooling mode, fan mode high) (A)	2.0	2.4
Roof thickness (mm)	25 to 70	25 to 70
Roof cut-out (mm)	400 x 400 (360 x 360 with optional adaptor frame)	400 x 400 (360 x 360 with optional adaptor frame)
Dimensions outdoor unit (mm)	855 x 657 x 215	1.122 x 850 x 223
Dimensions indoor unit (mm)	575 x 556 x 49	575 x 556 x 49
Weight total (kg)	34.9	41.9

Part No	Description
HGN75180001	Cool Top Trail 28V Outdoor Unit
HGN75080001	Cool Top Trail 36V Outdoor Unit
HGN75190001	Cool Top Trail 28V-36V Indoor Unit 400 x 400
HGN36100007	Optional Adaptor Frame 360 x 360 mm

Please contact our Sales Department for further information & pricing for your project.

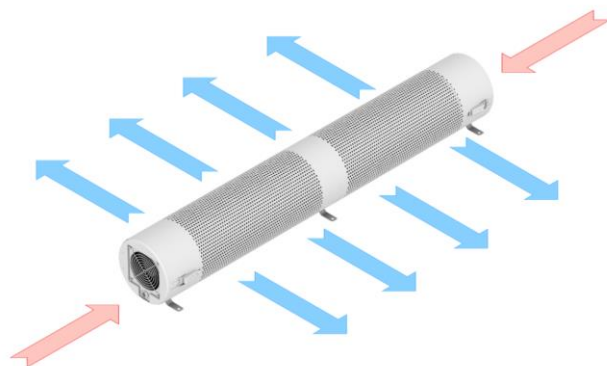
For more information please click here - <https://www.webasto-comfort.com/int/product-overview/product/show/cool-top-trail-2024342835-1/>

# Hepa Filter Range – Ambulance,

## *Compact, lightweight and easy to retrofit*

High-efficiency particulate air filters (HEPA) are critical in the prevention of the spread of airborne bacterial and viral organisms. In conjunction with personal protective equipment, this type of filtration greatly reduces the risk of infection for emergency medical service operators.

Webasto filtration systems HFT 200, HFT 300 and HFT 600 are specifically designed to filter the air in the cabin and in the sanitary compartment of ambulances, removing 99.995 % particulates corresponding to SARS / COVID-19 virus sizes (0.1 micrometers) and effectively reducing the risk of infection.



- Key benefits at a glance:
- Removes 99.995 % of airborne infections and contaminants
- HEPA H14 classified filter
- High air exchange rate
- Up to 10 m<sup>3</sup> fresh air every minute
- Ultra compact and lightweight
- Hassle free installation in less than 30 minutes
- Contamination free exchange of H14 filters
- Available in three versions: 200, 300 and 600 m<sup>3</sup>/ h
- Automatic filter monitoring feature
- The material and characteristics of the HEPA filter core meet the requirements of European Medical Devices
- Directive CE 47/ 2007
- Meets WHO / CDC / ECDC air filtration guidelines
- CE / UL compliant

### Technical data

Heating unit	HFT 300	HFT 600	HFT 200	HFT 200
Nominal Voltage (V)	12*	12*	12/24	220
Current consumption@12 V (A)	7.1	14.2	4 (2.1)	na
Max. Air Flow rate (m <sup>3</sup> /h)	300	600	190	175
Air filter level	H14	H14	H14	H14
MPPS Efficiency (%)	99,995	99,995	99,995	99,995
Sound level (db)	69**	70**	66.5	66.5
Dimensions O-D. x L (mm)	200 x 600	200 x 1200	200 x 600	200 x 600
Weight (kg)	5	10.5	5.5	7.4
Installation position	Any	Horizontal	Any	Vertical
Temperature range	-20° to +60°	-20° to +60°	-20° to +60°	-20° to +60°

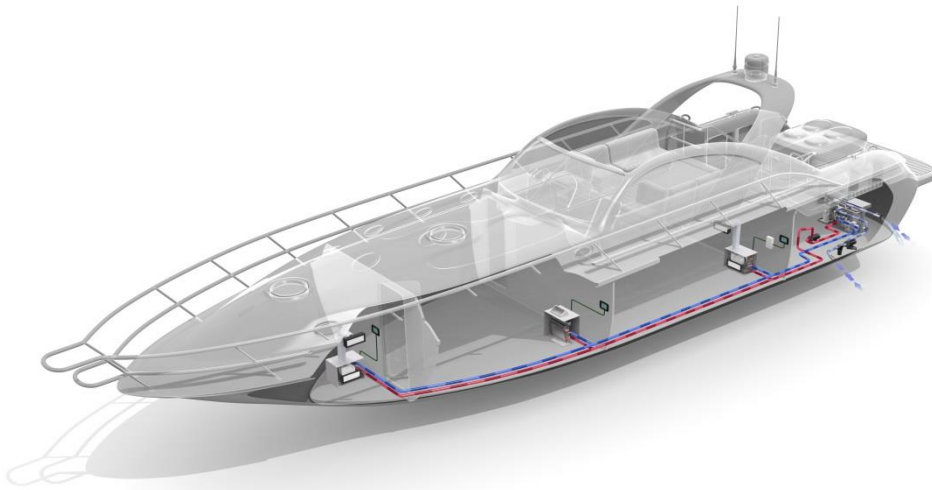
\* 24 V available with a DC/DC converter. \*\* Measured at 1 m distance from the air inlet. Compliance: CE 47/2007 ( European Medical Device Directive).

Please contact our Sales Department for further information & pricing for your project.

For more information please click here - <https://www.webasto-comfort.com/int/content/air-filtration-system/>

# Marine Air Conditioning Systems

*The right climate is essential!*



Webasto now offers a full comprehensive range of Marine Air Conditioning System within it's product portfolio.

Our large product portfolio of self-contained air-conditioning systems up to large chiller systems is second to none. Our wide power range provides cooling capacities of 5,000 BTU/h up to 1,500,000 BTU/h. It is up to you to decide which technology is best suited for your boat or yacht.

Due to the diverse nature of installations, pricing for suitable systems are available upon request.



Self Contained



Chiller

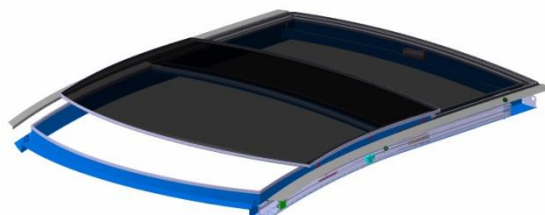


Variable Speed Chiller

For more information please click here - <https://www.webasto-comfort.com/en-uk/cooling/marine/>

# Marine Roof Platform Systems

*Designed for your needs*



**Webasto** has been manufacturing premium quality roofs for the automotive industry for over 50 years and are still the worldwide leader when it comes to sunroofs or retractable hardtops. Now we have brought this expertise into the marine market, and you can profit from it!

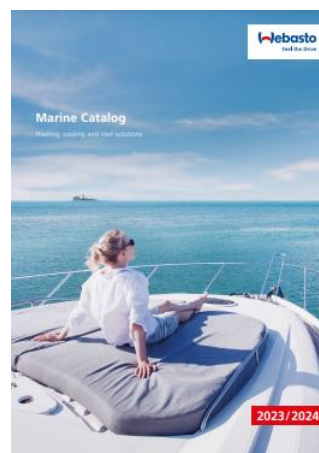
Webasto offers high quality roof systems to provide passengers with the best possible light and air on board. We are matching our expertise and knowledge acquired in 50 years of **automotive experience** with the latest **marine requirements** to provide customers and OEMs with top quality solutions for their boat or yacht.

Our customisable products allow our customers to create a **personalised roof with nearly no design constraints**.

We can offer a whole service range, starting with the customisable Hollandia Marine Sliding Roof, **one of the largest roof systems on the market and of outstanding flexibility**, up to completely customer specific roof projects, where only the imagination sets the limit.

For further information please click here - <https://www.webasto-comfort.com/en-uk/roof-solutions/marine/>

Pricing for suitable systems are available upon request from our Sales Office.



# Indel Webasto Marine Products

*A long tradition of Innovative Quality Projects*



**Indel Webasto Marine** is the successful joint venture between the leading automotive supplier Webasto and the Italian refrigeration specialist Indel B. These two companies have joined forces to bring high quality equipment solutions for marine & R.V. applications.

The wide product range consists of fridges and freezers, built-in and travel boxes, wine cellars, water calorifiers, safes as well as customised solutions to offer more comfort on board. Indel Webasto Marine's refrigeration and freezer solutions are well acknowledged for their user-friendliness, their stylish design and their energy saving engineering.

**Indel Webasto Marine** represents:

- Quality components and products
- High performance
- Outstanding design
- Unique patents and technologies such as ASU and Frost-free
- Easy installation
- Vast product range and customisation possibilities

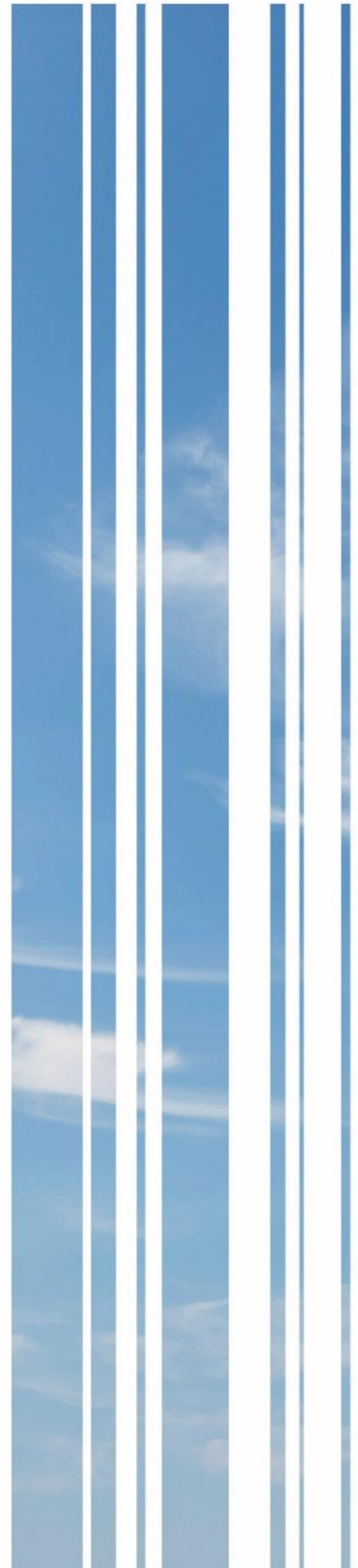


Due to the vast range of products available, a separate price list is available upon request from our Sales Office.

For more information and catalogue download and manuals please click here - <https://www.indelwebastomarine.com/int/>



# Accessories



# Smart Controller & Multi Controller



SmartController



MultiController

From Jan 2024 Multicontrol outer frames are now black

## Heater compatibility

	W-Bus	Analog (via switching output)	SmartController 9030026*	MultiController HD 9030025*	MultiController MAR/RV TT 9030911*	MultiController MAR/RV ATE 9030910*	MultiController Car 9029783*
<b>Water heaters</b>							
Thermo Top Evo	•						•
Thermo Top Z/E/C		On/Off	•	•	•		•
Thermo 230/300/350		On/Off	•	•	•		
Thermo Pro 50 / Thermo Pro 90	•	On/Off	•	•	•		
Thermo 90 ST		On/Off	•	•	•		
Thermo Pro 120/150	•	On/Off	•	•	•		
<b>Air Heaters</b>							
Air Top 2000 STC	•		•	•		•	
Air Top Evo 40/55 (after Feb 2015)	•		•	•		•	

\*Implementation of W-Bus planned for Q2 2015. After this Unibox will not be required

Part No	Description
9030026D	SmartController
9029783C	MultiController Car – Use for TTEVO Parking Heater Range
9030911E	MultiController Marine/RV (Water Heaters) 21 Timers -3 event per day over 7 days timer
9030910F	MultiController Marine/RV (Air Top Evo Heaters) 21 Timers - 3 event per day over 7 days timer
9030025E	MultiController Commercial Vehicle/HD - 21 Timers - 1 event upto 7 days in advance timer
9029674B	Diagnostic Cable (Smart/MultiController) – Can be used to access technicians menu
9030077A	Mounting Plinth (Smart/MultiController)
9031988A	3m Multi Control Extension Cable

For further information and downloads click here - <https://www.webasto.com/en-int/heating/controls/multicontrol.html>

# Climate Control

One button ...



A simple to use Climate Control module designed to provide autonomous temperature control in Commercial and Leisure vehicles. Simple to operate and easy to install, the operator simply dials in the desired temperature and the unit seamlessly switches between hot and cold providing totally automatic temperature control.

Product Advantages include:

- Unique “Car Style” design
- Simple one button operation
- Plug and play installation
- No external relays
- Pre heat operation (without engine)\*

Applications:

- Minibus
- Accessible Transport Vehicles
- Ambulance
- Bus and Coach
- Custodial Vehicles
- Military

\*requires timer/time delay relay

Part No	Description
4110978B	Climate Controller 12v (inc head unit and ECU)
4111130A	Harness set climate control module
4111142A	Sensor kit climate – Air Top Evo
4111144A	Sensor kit climate – Air Top 2000 STC



# Phone Activation for Webasto Heaters

The **Thermoconnect (TCON 2)** is a subscription service with the first year being free and thereafter currently €34.99 per year. This uses both the GSM phone network and GPS locating. It is also web as well as App based so connection can be made anywhere. It can also be linked to Smart Home Systems.



The installation is a “Plug N Play” concept and interfaces with our current Air Top 2000STC RV & TTEVO RV. (see list below)

The highlight is a new interface APP and a feature called GEO Fencing. Geo fencing is the ability to create a virtual fence around the vehicle and check its location.

There is no SIM Card to buy as this is a subscription contract. The first year is free and then currently 34.99 euros thereafter per year.

A demonstration video can be found here - <https://youtu.be/a3q733C5vt8>

- Measurements: 112x70x18mm
- Integrated eSIM (Topup credit is not necessary)
- App available for Android and iOS and Web App “my.webasto-connect.com” available on all internet compatible devices
- Protection category: IP42
- Nominal voltage: 9V - 32V
- Quiescent current: < 5mA
- Communication via 2G and 4G by internal GSM Antenna
- Detection of geological data by internal GPS antenna (GPS/ GLONASS)
- Communication with heater via W-Bus and analogue signal
- Including push button with LED and integrated sensor for inner temperature
- Not foreseen for ADR vehicles
- Maximum heating duration of 120 minutes
- ECE R10; RoHS (2011/65/EU), REACH (1907/2006), RED (2014/53/EG), EMC (2014/30/EU)

Part No	Description
9040223F	Kit Thermo Connect TCon2
1319820A	Y Harness – Required if using with another W-Bus device ie Multi Control.

## Supported Heaters

Thermo Top Evo 4 / 5 / 5+  
 Thermo Pro 50 Eco  
 Thermo Pro 90  
 Thermo Top Pro 120 / 150  
 Air Top 2000 STC  
 Air Top Evo 40 / 55



For more information and downloads please click here – <https://www.webasto.com/en-int/heating/controls/thermoconnect.html>

# Accessories

## Marine 7 Day Programmable Timer Kits



- Offers 4 Timer Events per day, seven days a week
- Plug and play
- Supplied with full installation & operating instructions

Part No	Description
4110556B	Marine Dedicated 7 Day Programmable Timer 12v - Air Top 2000 ST/STC
4110555B	Marine Dedicated 7 Day Programmable Timer 12v - Air Top Evo 3900 / 5500 & Air Top Evo 40/55
4110551B	Marine Dedicated 7 Day Programmable Timer 12v - Thermo Top Evo
4110557B	Marine Dedicated 7 Day Programmable Timer 12v - Thermo 90 ST/Pro 90

# Accessories

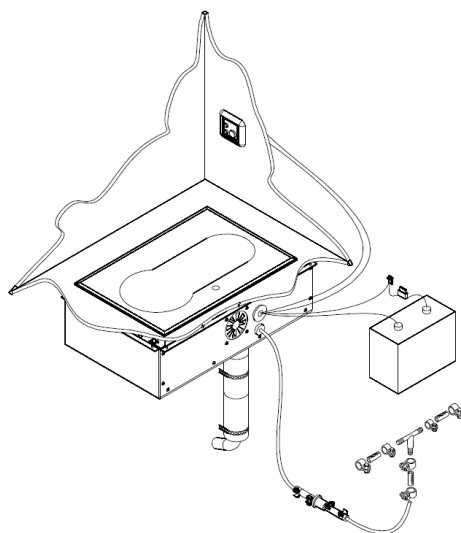
## Diesel Cooker X100



Technical Data (tolerance ±10%)			
EG-Type Approval code			GS / Fi / CE : 22159 / 22156
Heating Output	Control Range	kW	0.9 – 1.9
Fuel Consumption	Control Range	kg/h	0.074 – 0.156
Rated Voltage		V	12
Rated Power Consumption	Control Range	W	0.3 (with start 8)
Heating up time		min	3
Fuel Type			Diesel EN 590
Maximum temperature cooking field		°C	550
Dimensions (Ceran <sup>®</sup> cooking field)	LxWxH	mm	466x316x50
Dimensions (Ventilation box)	LxWxH	mm	565x366x172
Weight		Kg	9.5

### Unit

Part No	Description
WA90000B	Diesel Cooker X100 including universal installation kit



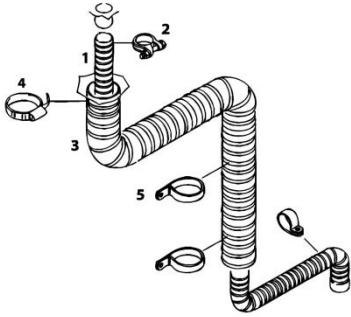
Click here for further information

<https://www.webasto.com/en-int/heating/rv-heater/diesel-cooker-x-100.html>

# Accessories

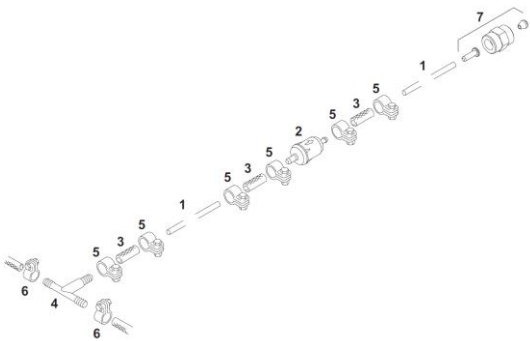
## Diesel Cooker X100

### Exhaust



Item No	Description	Part No.
1	Exhaust 28mm diameter – 3m length	3200830A
1	Exhaust 28mm diameter – 1.9m length	3200826A
2	Exhaust Hose Clamp 30-35mm	1320203A
3	Cooling air hose APK 60mm i/d diameter	398497
4	Hose Clamp DIN 3017 60-80mm	9026066A

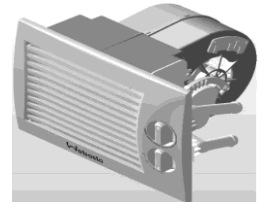
### Fuel Supply



Item No	Description	Part No.
1	Fuel hose (per m)	483931
2	Fuel filter	1319466A
3	Fuel hose connector	484032
4	Fuel T piece 8 x 5 x 8 (plastic)	1320192A
5	Hose clamp 10mm	330027
6	Hose clamp 12mm	379670
7	Fuel connector – cooker fuel pump	WA17689

# Accessories

## Blower Boxes Florida Range



Technical Data (tolerance $\pm 10\%$ )		
		Florida 5
Heating Output	kW	5.2
Dimensions (L x B x H)	mm	269x218x198
Weight	Kg	2
Rated Input	W	120
Airflow	m <sup>3</sup> /h	285

### Units

Part No	Description
3200679A	Florida 5 with control 12v
3200680A	Florida 5 with control 24v
3200681A	Florida 5 without control 12v
3200682A	Florida 5 without control 24v

### Accessories

Part No	Description
41K119A	Universal Coolant Hose Kit (inc 7.5m length of 16mm coolant hose, various joiners, t pieces, clips)
3391288C	Automatic Blower Control Kit 12/24v

# Accessories

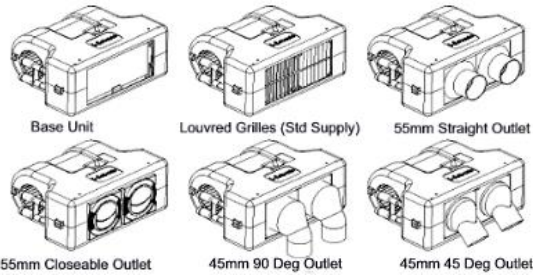


## Blower Boxes Madeira range

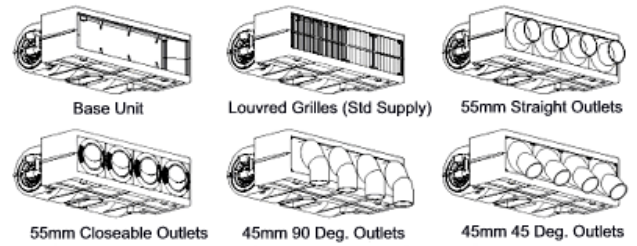
### Technical Data (tolerance ±10%)

		Madeira 4	Madeira 8
Heating Output	kW	4.6	7.3
Dimensions (L x B x H)	mm	275x203x115	376x250x115
Weight	Kg	1.8	3.1
Rated Input	W	70	150
Airflow	m <sup>3</sup> /h	200	300
Fan Speed		3	3

### Madeira 4



### Madeira 8



Part No	Description
71174550	Madeira 4 12v (supplied with 2 x 90/90 Louvred Grilles as standard)
71174552	Madeira 4 24v (supplied with 2 x 90/90 Louvred Grilles as standard)
71174554	Madeira 8 12v (supplied with 4 x 90/90 Louvred Grilles as standard)
71174556	Madeira 8 24v (supplied with 4 x 90/90 Louvred Grilles as standard)

### Madeira Accessories

Part No	Description	Qty Reqd Madeira 4	Qty Reqd Madeira 8
3396524A	Grille (90x90)	2	4
3396525A	Outlet 55mm straight	2	4
71174563	Outlet 45mm 90°	2	4
71174564	Outlet 45mm 45°	2	4
71174562	Air Outlet Closeable	2	4
3219062300A	Electronic speed control with on/off 12v/24v	-	-
41K120A	3 Speed rotary blower switch	-	-
41K119A	Universal Coolant Hose Kit (inc 7.5m length of 16mm coolant hose, joiners, t pieces, clips)	-	-

# Accessories

## Blower Boxes

### HTX S – HTX S HD – HTX M – HTX M HD



#### Technical data

Model overview	HTX S	HTX S HD	HTX M	HTX M HD
Nominal heating capacity (kW)	3.3	4.7	4.9	6.6
Nominal voltage (V)	12/24			
Max total current absorption 12 – 24 V (A)	1.2/0.6	8.5/4.2	2.4/1.2	13.5/6.8
Max. blower volume flow (m³/h)	161	276	320	605
Dimensions L x W x H (mm)	128 x 241 x 161	215 x 241 x 166	126 x 341 x 146	195 x 411 x 146
Water connection Ø (mm)	18			

#### HTX S



Model overview	Scope of delivery	Order number
HTX S 12 V	Heating system	8410215B
HTX S 24 V		8410216B

#### HTX S HD



Model overview	Scope of delivery	Order number
HTX S HD 12 V	Heating system	8410213B

#### HTX M



Model overview	Scope of delivery	Order number
HTX M 12 V	Heating system	8410219B
HTX M 24 V		8410220B

#### HTX M HD



Model overview	Scope of delivery	Order number
HTX M HD 12 V	Heating system	8410217B
HTX M HD 24 V		8410218B

POA – Please contact your Webasto representative for price and availability.



Part Number	Description
8410230	On / Off switch HTX S ONLY
8410231	On / Off switch HTX M ONLY
8410229	3 Pos switch HTX S HD & HTX M HD ONLY

# Accessories

## Blower Boxes

HTX S – HTX S HD – HTX M – HTX M HD

**NEW**

### HTX Accessories



ref	Part No	Description	Blower Version
1	8410221A	Air Duct 118 x 245 x 163.1 mm 4 x Ø 60 mm black	HTX S & HTX S HD
2	8410222A	Air Duct 92 x 246 X 163.1 mm grille black	HTX S & HTX S HD
3	8410223A	Air Duct 22.5 x 290 x 195 mm black switch panel c/w grille	HTX S & HTX S HD
4	8410224A	Air Duct 115 x 416 x 145.8 mm 5 x Ø 60 mm black	HTX M HD
5	8410225A	Air Duct 89 x 416 x 147.8 mm black grille	HTX M HD
6	8410226A	Air Duct 89 x 346 x 147.8 mm black grille	HTX M
7	8410227A	Air Duct 115 x 346 x 147.8 mm 5 x Ø 60 mm black	HTX M
8	8410228A	Air Duct 22.5 x 400 x 182 mm black switch panel c/w grille	HTX M



# Accessories



## Thermoduct

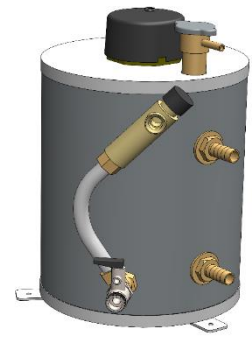
Webasto Thermoduct is constructed using market leading Thermal Insulation Material. The material is stitched into 750mm long tubes and is designed to slide directly over warm air ducting, providing exceptional thermal insulating properties.

- Temperature Resistant up to 140°C
- Hydrophobic – actually repels water, thus preventing mould & mildew
- Hypoallergenic
- Easy to handle
- Can double the effective heat output from air heaters by minimising ducting heat loss
- Allows long ducting runs to provide effective heat output
- Reduces heater running times, improving fuel and electrical power consumption
- Reduces external duct temperature from circ. 100° to 30°C

Part No	Description
41S70014A	60mm Thermoduct – 750mm length
41S70015A	80/90mm Thermoduct – 750mm length

# Accessories

## Diesel / Electric Water Heater System



Technical Data (tolerance ±10%)			
Rated voltage		V	240
Electric element power consumption	240v	W	2000
Pressure relieve valve rating		Bar	4
Water storage period		Constant	Maintained by device
Dimensions of heater	HxD	mm	357 x 275
Dry Weight of heater		Kg	11.6
Capacity		litres	Typically 6-8
Hot Water Production	@ 6°C		Up to 18 litres @ 40°C
Water connection fittings			½" BSP

### Unit Concept

The concept of the mini water heater is to produce hot water via mains electric or a diesel fired coolant heater. The heated water is then stored within the insulated tank ready for use as required. The water heater does not need to be connected to the engine, therefore there are no conversion issues to be addressed with the vehicle manufacturer. The system is heated to approximately 80°C. At the set temperature, the thermostat turns off the mains electric or diesel heater. The system design allows extremely quick hot water production and recovery.

### **Heating**

The system can be connected to a Webasto Thermo Top diesel heater and incorporated into a “wet” heating system. Heat is produced by active or dynamic heating modules. When connected into a heating circuit, the mains system can also be used for heating.

**Pricing available upon request**

# Accessories

## Marine Calorifiers

- Extra long, corrugated coils for high heat exchange efficiency
- Special 7.0 bar / 100 psi safety valve
- Simple winter drain
- Ultra-thick insulation for lowest temperature loss
- Electrical plug and play immersion heating element, designed to heat the water at the bottom of the tank
- Thermostat mixing valve available as an option
- Immersion heating element available in 750 (std), 1200, 2000W as an option
- The 2000 W heating element is only compatible on 230 V versions
- Robust design
- Water tank in stainless steel
- External cylinder in stainless steel (Basic/Slim)
- Stable fixing feet in stainless steel
- 360 ° adjustable mounting for easy installation also on bulkhead (vertical)
- Not approved for vehicle engine coolant system use

For full details regarding our calorifier range please visit

<https://www.indelwebastomarine.com/int/products/isotemp-water-heaters/>



16 Litre Square



Inox Slimline Range  
15/20/25 Litres



Inox Basic Range  
24/30/40/50/75 Litres



Spa Range  
15/20/25/30/40 Litres

## Accessories



Part No	Description
7572516A	½" BSP x 16mm
7572517A	½" BSP x 19mm

# Accessories

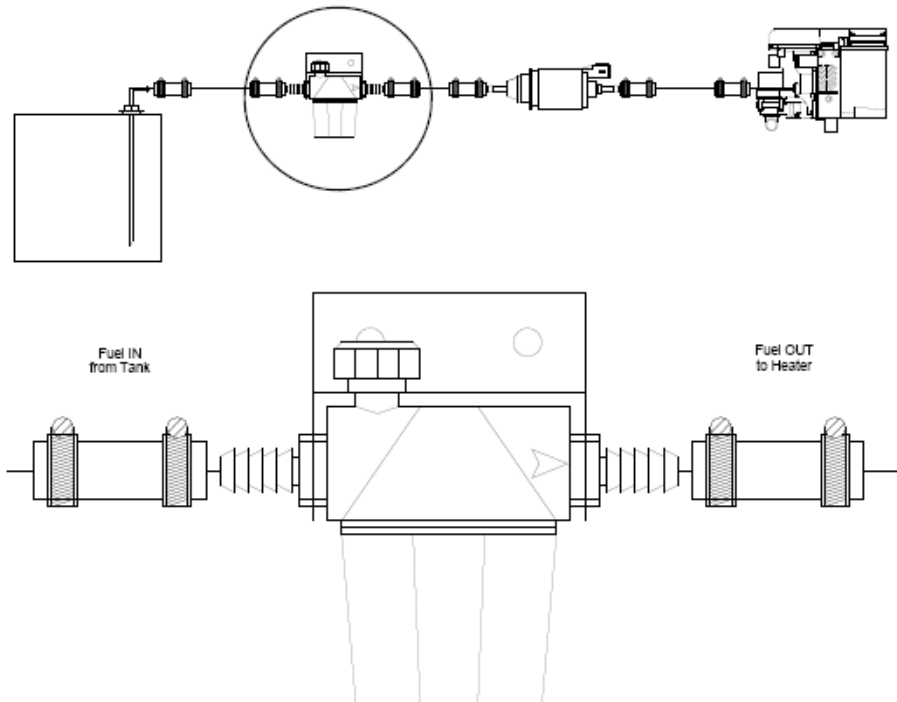
## Marine Fuel Filter Kits

- Comes complete with installation kit and bracket
- Washable Filter
- Complete with Stop Tap
- Easy installation to existing Webasto Systems
- Comes with UK installation instructions.
- Competitively priced

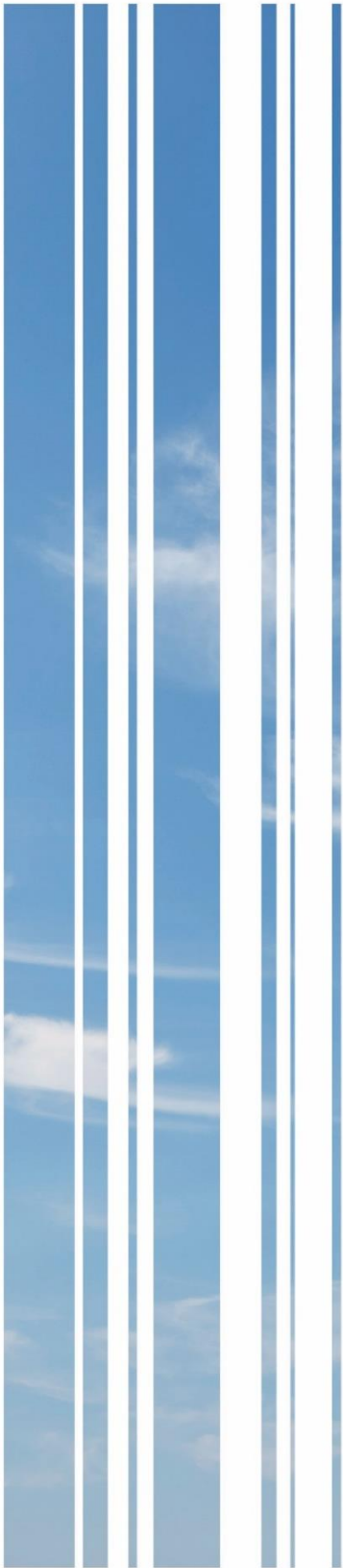


Part No	Description
4110766A	Kit – Marine Fuel Filter complete with fittings & mounting bracket

Installation Example:

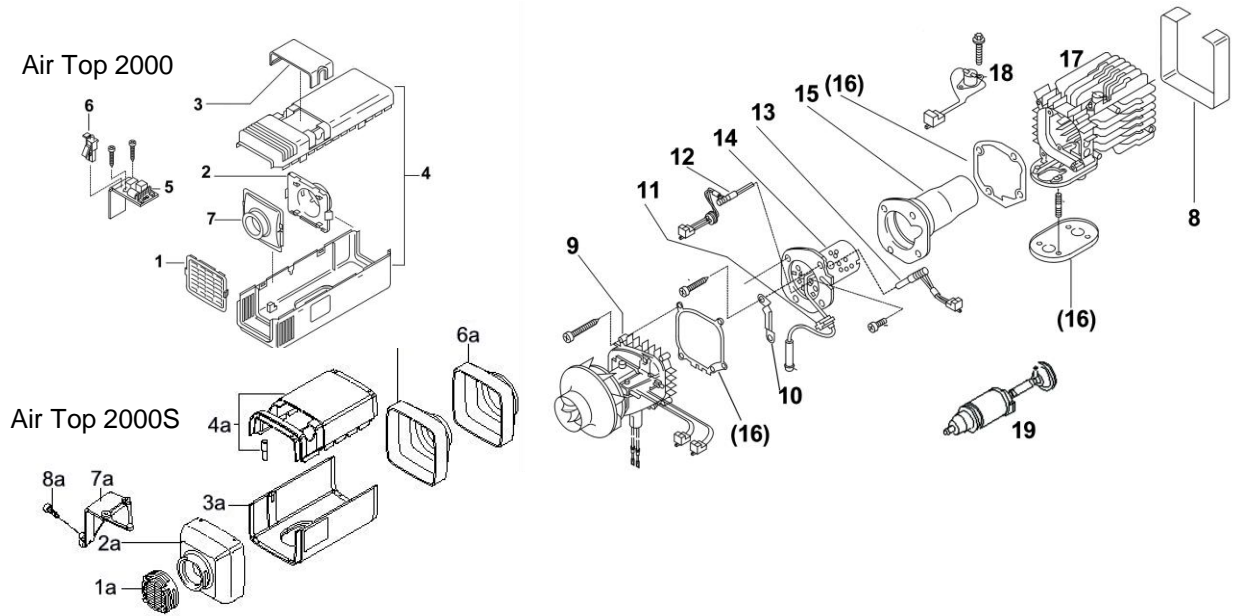


# Replacement Parts



# Air Heating Systems

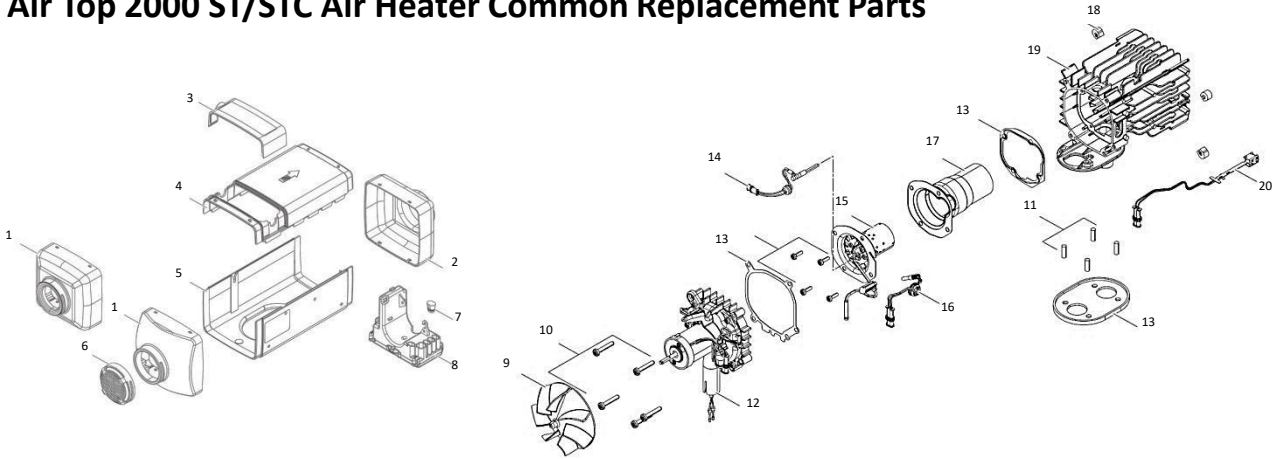
## Air Top 2000 S Air Heater Common Replacement Parts



Item No	Description	Part No.
1	Inlet/Outlet Screen (Air Top 2000)	1320120A
2	Heating Air Outlet (Air Top 2000)	1320122A
3	Control Unit Cover (Air Top 2000)	1319621A
4	Upper/Lower Plastic Casing Set (Air Top 2000)	82282A
5	Control Unit 12v Diesel (Air Top 2000) Control Unit 12v Petrol (Air Top 2000) Control Unit 24v Diesel (Air Top 2000)	1323325A 87462B 1322711A
6	Internal Temperature Sensor (Air Top 2000)	1322750A
7	Air Inlet Ring (Air Top 2000)	1320121A
1a	Air Inlet Grille (Air Top 2000S)	1320163A
2a	Air Inlet Hood (Air Top 2000S)	9020539A
3a	Bottom Casing (Air Top 2000S)	1320343A
4a	Upper Casing (Air Top 2000S)	9001940A
5a	Outlet Hood 60mm (Air Top 2000S)	9019553A
6a	Outlet Hood 75mm (Air Top 2000S)	1320962A
7a	Supporting Angle (Air Top 2000S)	1321074A
8a	Supporting Angle Screw (Air Top 2000S)	1321805A
8	Sound Deadening Matting	1320133A
9	Drive Assembly 12v Drive Assembly 24v	84841B 1322633A
10	Screw Set	1303327A
11	Socket (supplied with Burner Assembly)	-
12	Flame Detector	1322407A
13	Glowpin 12v Glowpin 24v	1322415A 1322408A
14	Burner Cartridge – Diesel Burner Cartridge—Petrol	1322924A 84883A
15	Burner Tube	1322722A
16	Gasket Set	1322638A
17	Heat Exchanger	67062B
18	Overheat Protection	1322705A
19	Fuel Pump 12v Petrol/Diesel – DP2 c/w damper Fuel Pump 12v Diesel – DP30.02 pump only - no damper (damper must be used) Fuel Pump 24v Diesel – DP30.02 pump only - no damper (damper must be used) Order Fuel damper kit for above if required	1322440A 1320292A 1320294A 478814
Not Shown	Wiring Harness (Air Top 2000S Diagnostic)	1319770A
Not Shown	Air Top 2000 / 2000S 12v Service Kit (contains Burner with glowpin & gasket set) – Diesel Only	4111806A
Not Shown	Air Top 2000 / 2000S 24v Service Kit (contains Burner with glowpin & gasket set) – Diesel Only	4111807A

# Air Heating Systems

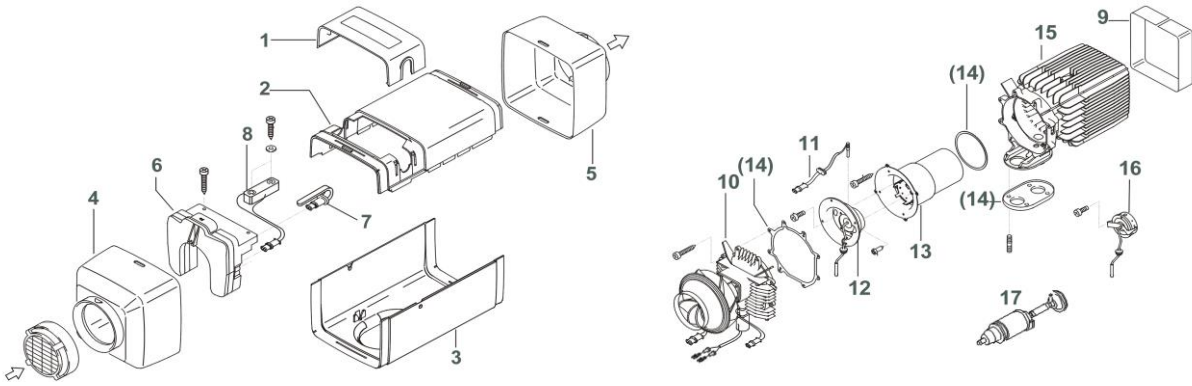
## Air Top 2000 ST/STC Air Heater Common Replacement Parts



Item No	Description	Part No.
1	Inlet Hood (from serial no 976400) – ST/STC Inlet Hood – ST	9019552A 9020539A
2	Outlet Hood 60mm diameter – ST/STC Outlet Hood 75mm diameter – ST/STC	9019553A 1320962A
3	Control Unit Cover – ST/STC	1319621A
4	Upper Plastic Casing – ST/STC	9019555A
5	Lower Plastic Casing – ST/STC	1320343A
6	Grille – ST/STC	1320163A
7	Plug – ST/STC	1303325A
8	Control Unit 12v Petrol – ST Control Unit 12v Diesel – ST Control Unit 24v Diesel – ST Control Unit 12v Diesel (Camper/Boat Version) – ST (zero idle) Control Unit 12v Petrol - STC Control Unit 12v Diesel – STC Control Unit 12v Diesel – Marine – STC Control Unit 12v Diesel – RV – STC (zero idle/altitude) Control Unit 24v Diesel – STC	9013148A 9013146A 1322865A 9013149A 9032304B 9032303B 9032308B 9032306C 9032302B
9	Combustion Air Fan	1302774B
10	Screw Set - ST/STC	1303327A
11	Stud Bolt Set – ST/STC	1322868A
12	Drive Assembly 12v (c/w fuel pump cable from serial no 976400) – ST Drive Assembly 24v (c/w fuel pump cable from serial no 976400) – ST was 1322696A Drive Assembly 12v (c/w fuel pump cable up to serial no 976400) – ST Drive Assembly 24v (c/w fuel pump cable up to serial no 976400) – ST Drive Assembly Petrol 12v (c/w fuel pump cable) – STC Drive Assembly Diesel 12v (c/w fuel pump cable) – STC was 9032300A Drive Assembly Diesel 24v (c/w fuel pump cable) – STC was 9032301A	9037049A 9037046A 1303846A 1303848A 9032299A 9037051A 9037048A
13	Gasket Set – ST/STC	1322586A
14	Flame Detector Petrol only – ST/STC	1322426A
15	Burner Insert Petrol – ST/STC Burner Insert Diesel – ST/STC	84883A 1322585A
16	Glowpin 12v – ST/STC Glowpin 24v – ST/STC	1322420A 1322411A
17	Burner Tube – ST/STC	1322722A
18	Isolator (Pack of 4) – ST/STC	1303326A
19	Heat Exchanger Petrol – ST/STC- 9005090A Heat Exchanger Diesel – ST/STC	9037053A 1302805A
20	Overheat Sensor – ST/STC	1322850A
Not Shown AT2ST	Fuel Pump 12v Petrol/Diesel – DP2 – ST only Fuel Pump 12v Diesel – DP30.02 pump only - no damper (damper must be used) Fuel Pump 24v Diesel – DP30.02 pump only - no damper (damper must be used) Order Fuel damper kit for above if required	1322440A 1320292A 1320294A 478814
Not Shown AT2STC	Fuel Pump for 12v Petrol without damper - DP42.4 – STC only Fuel Pump 12v / 24v Diesel with damper – DP42.4 – STC only	1324533A 9024802A
Not Shown	Basic Wiring Harness – ST Basic Wiring Harness – STC (Std) Basic Wiring Harness – STC (RV Zero idle/Manual Altitude Switch) old version Basic Wiring Harness – STC (RV Rotary or Multi Control Altitude version) later version heaters Fixed Resistor for harness 9037594A if required.	1320459A 9033755A 9034309A 9037594A 9037595A
Not Shown Parts available individually	Air Top 2000 ST/STC 12v Service Kit (contains Burner with glowpin, flame tube & gasket set) – Diesel Only Air Top 2000 ST/STC 24v Service Kit (contains Burner with glowpin & gasket set) – Diesel Only <b>All the above parts are available individually</b>	9037043A 4111815A

# Air Heating Systems

## Air Top 3500 / 5000 Air Heater Common Replacement Parts



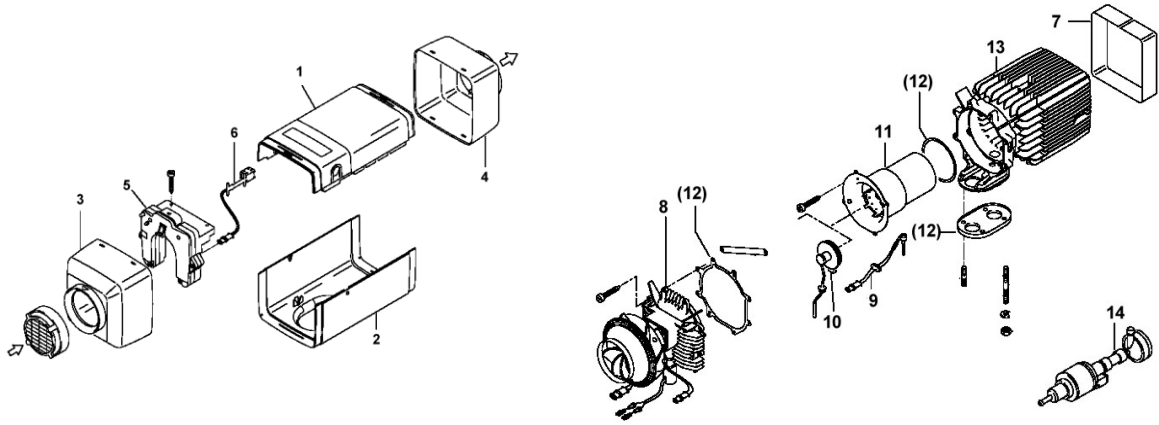
Item No	Description	Part No.
1	Control Unit Cover	1320180A
2	Top Casing – 1 Locating Peg Top Casing – 2 Locating Pegs	9029549A 1320321A
3	Bottom Casing – 1 Locating Peg - NLA Bottom Casing – 2 Locating Pegs	88002C 1320320A
4	Inlet Hood – 1 Locating Peg Inlet Hood – 2 Locating Pegs	1319793A 1320322A
5	Outlet Hood – 1 Locating Peg - NLA Outlet Hood – 2 Locating Pegs	1320315A 1320323A
6	Control Unit      Air Top 3500 24v Diesel (Standard) - NLA Control Unit      Air Top 3500 12v Diesel (Standard) Control Unit      Air Top 5000 24v Diesel (Standard) - NLA Control Unit      Air Top 5000 12v Diesel (Standard) Control Unit      Air Top 3500 12v Diesel (RV*) Control Unit      Air Top 5000 12v Diesel (RV*) <i>*(Must be used with remote temperature probe)</i>	89838B 89839C 89834B 89836C 67787B 67788B
7	Temperature Sensor	1319799A
8	Overheat Protection	1319798A
9	Sound Deadening Matting	1320187A
10	Drive Assembly Air Top 3500 24v Diesel (Standard) was 91381A Drive Assembly Air Top 3500 12v Diesel (Standard) was 91380A Drive Assembly Air Top 5000 24v Diesel (Standard) was 91379A Drive Assembly Air Top 5000 12v Diesel (Standard) was 91378A	9036741A 9036740A 9036737A 9036738A
11	Glowpin 12v Glowpin 24v	1322428A 1322417A
12**	Burner with Glowpin 12v Burner with Glowpin 24v	67984B 1322862A
13	Burner Tube Diesel Version	1322471A
14	Gasket Set	1322643A
15	Heat Exchanger – Was 9004216A	9036743A
16**	Burner - Standard Heater	67955A
17	Fuel Pump 12v Diesel DP30 no damper Fuel Pump 24v Diesel DP30 no damper	1320292A 1320294A
Not Shown	Universal Wiring Harness - POA	4116017A
Not Shown	Reflector Foil (Pack of 5 pieces)	9022102A
Not Shown	Air Top 3500 / 5000 12v Service Kit (contains Burner with glowpin & gasket set) – Diesel Only Air Top 3500 / 5000 24v Service Kit (contains Burner with glowpin & gasket set) – Diesel Only	67984B 1322862A

\*\* DEPENDENT UPON HEATER YEAR OF MANUFACTURE/SERIAL NUMBER – PLEASE REFER TO WEBASTO TECHNICAL BULLETIN ED088



# Air Heating Systems

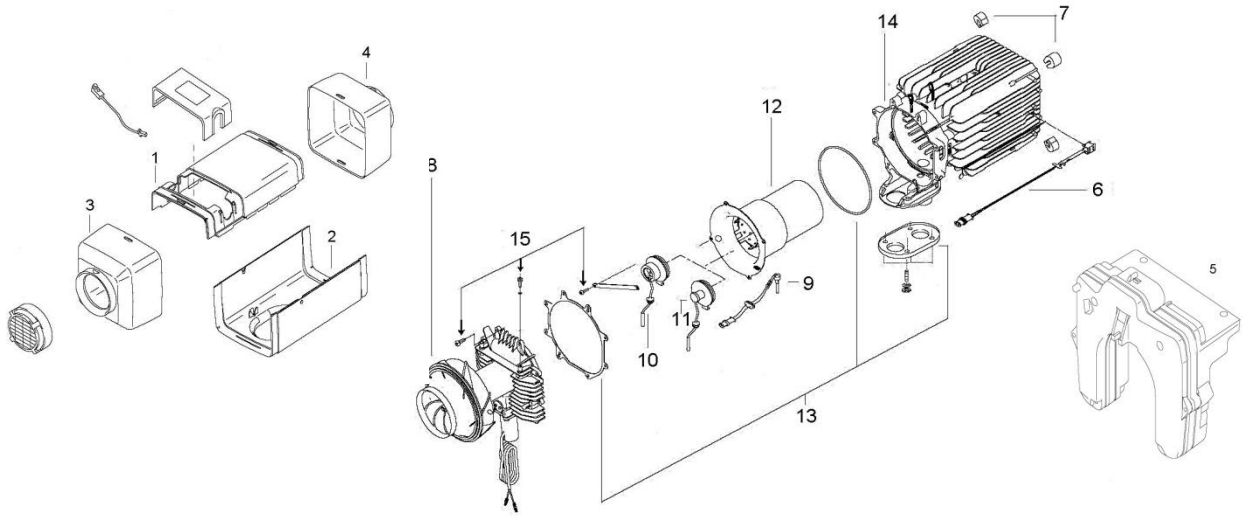
## Air Top 3500 ST / Air Top 5000 ST Air Heater Common Replacement Parts



Item No	Description	Part No.
1	Top Casing—Air Top 3500ST/5000ST	1320321A
2	Bottom Casing—Air Top 3500ST/5000ST	1320320A
3	Air Inlet Hood—Air Top 3500ST/5000ST	1320322A
4	Air Outlet Hood—Air Top 3500ST/5000ST	1320323A
5	Electronic Control Unit 12v—Air Top 3500ST Diesel (Standard Version) Electronic Control Unit 24v—Air Top 3500ST Diesel (Standard Version) Electronic Control Unit 12v—Air Top 3500ST Diesel (Boat Version) Electronic Control Unit 24v—Air Top 3500ST Diesel (Boat Version)  Electronic Control Unit 12v—Air Top 5000ST Diesel (Standard Version) Electronic Control Unit 24v—Air Top 5000ST Diesel (Standard Version) Electronic Control Unit 12v—Air Top 5000ST Diesel (Boat Version) Electronic Control Unit 24v—Air Top 5000ST Diesel (Boat Version)	9006824A 9006821A 9009682A <b>NLA</b>  9006822A 9006820A 9009684A 9009686A
6	Overheat Temperature Sensor—Air Top 3500ST/5000ST	9004227A
7	Sound Deadening Matting	1320187A
8	Drive Assembly 12v—Air Top 3500ST Drive Assembly 24v—Air Top 3500ST Drive Assembly 12v—Air Top 5000ST Drive Assembly 24v—Air Top 5000ST	9004209A 9004210A 9004211A 9004212A
9	Glowpin 12v—Air Top 3500ST/5000ST Glowpin 24v—Air Top 3500ST/5000ST	9004214B 9004215A
10	Burner Cartridge—Air Top 3500ST/5000ST Diesel Only	9004220A
11	Burner Tube—Air Top 3500ST/5000ST	9006653A
12	Gasket Set—Air Top 3500ST/5000ST	1322643A
13	Heat Exchanger—Air Top 3500ST/5000ST	9036743A
14	Fuel Pump 12v Diesel DP30 no damper Fuel Pump 24v Diesel DP30 no damper	1320292A 1320294A
Not Shown	Universal Wiring Harness	4116017A
Not Shown	Reflector Foil (Pack of 5 pieces)	9022102A
Not Shown	Air Top 3500 / 5000 ST 12v Service Kit (contains Burner with glowpin & gasket set) – Diesel Only Air Top 3500 / 5000 ST 24v Service Kit (contains Burner with glowpin & gasket set) – Diesel Only	9004217A 9004218A

# Air Heating Systems

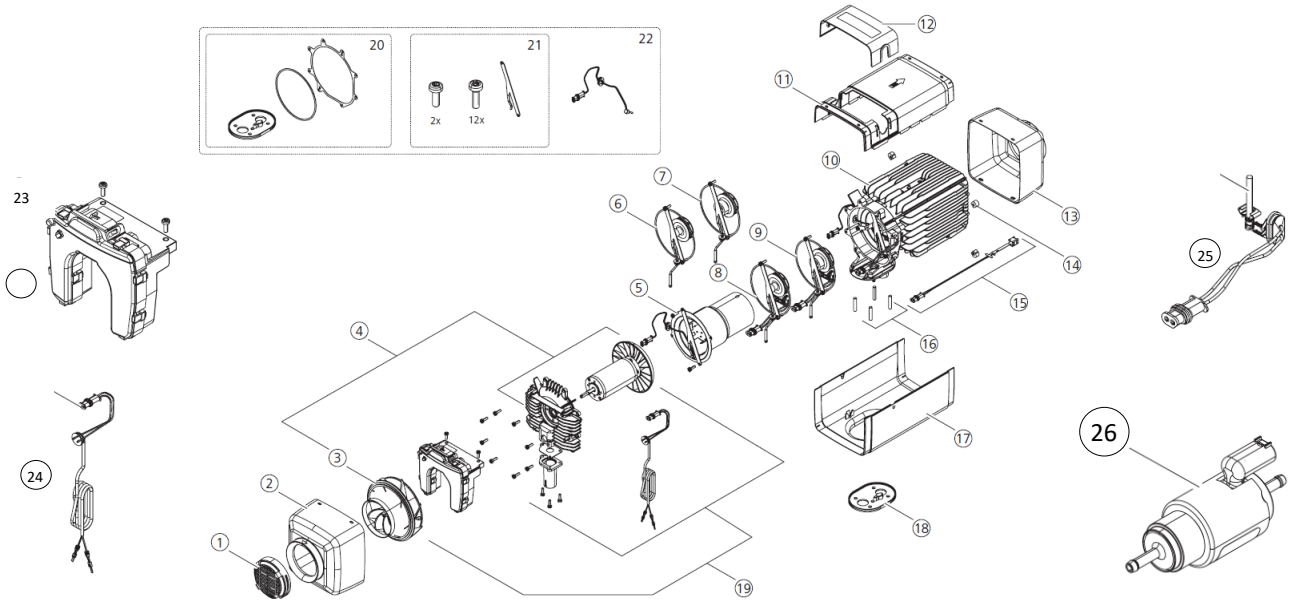
## Air Top Evo 3900 / Air Top Evo 5500 Air Heater Common Replacement Parts



Item No	Description	Part No.
1	Top Casing—Air Top Evo 3900/5500	1320321A
2	Bottom Casing—Air Top Evo 3900/5500	1320320A
3	Air Inlet Hood—Air Top Evo 3900/5500	1320322A
4	Air Outlet Hood—Air Top Evo 3900/5500	1320323A
5	Electronic Control Unit 12v—Air Top Evo 3900 Diesel Standard Version Electronic Control Unit 24v—Air Top Evo 3900 Diesel Standard Version Electronic Control Unit 12v—Air Top Evo 3900 Diesel DP42 Version ( <b>was 9028490A</b> ) Electronic Control Unit 12v—Air Top Evo 3900 Diesel DP42 Auto Height Version Electronic Control Unit 12v—Air Top Evo 5500 Diesel Standard Version Electronic Control Unit 24v—Air Top Evo 5500 Diesel Standard Version  <i>Other specialist version control units are available, dependent upon the model Air Top Evo version—please refer to Webasto spare parts list—pricing available upon request</i>	1313137A 1313144A NLA 1314147A 1313133A 1313136A
6	Overheat Temperature Sensor—Air Top Evo 3900/5500	1313158A
7	Replacement Isolator Set—Air Top Evo 3900/5500 PK4	1303326A
8	Drive Assembly 12v/24v Air Top Evo 3900 ( <b>was 9018417A</b> ) Drive Assembly 12v/24v Air Top Evo 5500 ( <b>was 1313121A</b> )	9037106A 9037107A
9	Glowpin 12v—Air Top Evo 3900/5500 Glowpin 24v—Air Top Evo 3900/5500	1314150A 1314151A
10	Burner Cartridge Petrol—Air Top Evo 3900/5500	1313127B
11	Burner Cartridge Diesel—Air Top Evo 3900/5500	1313132B
12	Burner Tube—Air Top Evo 3900/5500	9006653A
13	Gasket Set—Air Top Evo 3900/5500	1322643A
14	Heat Exchanger—Air Top Evo 3900/5500 ( <b>was 1314152A</b> )	9037108A
15	Screw Set—Air Top Evo 3900/5500	9004229A
Not Shown	Fuel Pump 12v Diesel DP30 no damper Fuel Pump 24v Diesel DP30 no damper Fuel Pump 12v Petrol - DP2 with Damper	1320292A 1320294A 82554A
Not Shown	Universal Wiring Harness 4.8m Lg	1319836A
Not Shown	Reflector Foil (Pack of 5 pieces)	9022102A
Not Shown	Air Top Evo 3900 / 5500 12v Service Kit (contains Burner with glowpin & gasket set) – Diesel Only Air Top Evo 3900 / 5500 24v Service Kit (contains Burner with glowpin & gasket set) – Diesel Only	1313124A 1313126A

# Air Heating Systems

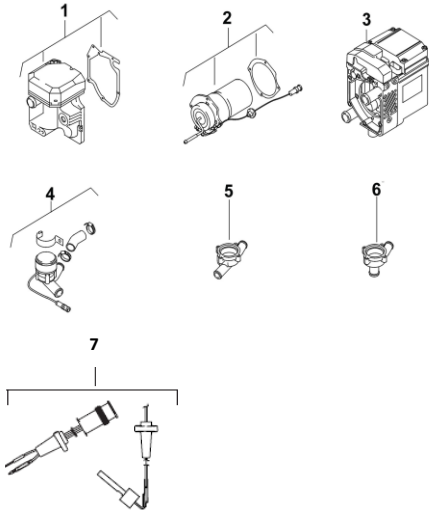
## Air Top Evo 40 / Air Top Evo 55 Air Heater Common Replacement Parts



Item No	Description	Part No.
1	Air Inlet Grille	1310581A
2	Air Inlet Hood	1320322A
3	Air Fan	9023385A
4	Drive Assembly without Fuel Pump Wiring Harness – Air Top Evo 40/55	9029388A
5	Burner Tube	9029410A
6	Burner without Glowpin Air Top Evo 40/55 Petrol	9029414A
7	Burner without Glowpin Air Top Evo 40/55 Diesel	9029415A
8	Burner with Glowpin Air Top Evo 40/55 Petrol 12v	9029411A
9	Burner with Glowpin Air Top Evo 40/55 Diesel 12v Burner with Glowpin Air Top Evo 40/55 Diesel 24v	9029412A 9029413A
10	Heat Exchanger ( <b>was 9029416A</b> ) – includes ex gas and heat exchanger temperature sensors	9037116A
11	Top Casing	1320321A
12	Control Unit Cover	1320180A
13	Outlet Cover	1320323A
14	Bag Insulators (4)	1303326A
15	Bag Blow Out Temperature Sensor	1313158A
16	Stud Bolt Set	1322868A
17	Bottom Casing	1320320A
18	Base Gasket	1310580A
19	Drive with fuel pump harness Air Top Evo 40/55 ( <b>was 9029393A</b> )	9037115A
20	Bag Gasket Set	1322643A
21	Bag Screw Set	9029408A
22	Exhaust Gas Temperature Sensor	9029409A
23	Electronic Control Unit Air Top Evo 40 Diesel 12v Electronic Control Unit Air Top Evo 55 Diesel 12v Electronic Control Unit Air Top Evo 40 Petrol 12v Electronic Control Unit Air Top Evo 55 Petrol 12v Electronic Control Unit Air Top Evo 40 Diesel 24v Electronic Control Unit Air Top Evo 55 Diesel 24v	9029417C 9029418C 9029419C 9029420C 9029421C 9029422C
24	Wiring harness Air Top Evo 40/55 (DP42 pump)	9029425A
25	Glowpin 12v Glowpin 24v	1314150A 1314151A
26	Dosing Pump DP 42.4 (12v/24v)	1324533A

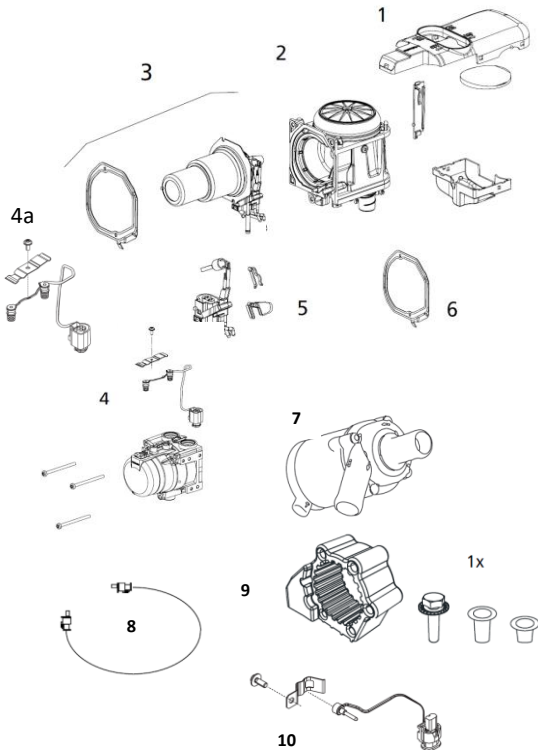
# Water Heating Systems

## Thermo Top E/C Range Water Heaters Common Replacement Parts – Diesel Only



Item No	Description	Part No.
1	Diesel Combustion Air Motor 12v – TTE/C	1322649A
2	Diesel Burner Cartridge c/w Glowpin 12v – Standard	1322639A
3	Diesel Burner Head/Heat Exchanger/ECU – TTC (Std)	92998G
	Diesel Burner Head/Heat Exchanger/ECU – TTE	9001398D
	Diesel Burner Head/Heat Exchanger/ECU – TTC 300 MODEL (RV & Marine Version)	9007864C
4	Water Pump U4847 12v – TTE/C	9002514B
5	Water Pump Housing 193° - TTE/C	1322704A
6	Water Pump Housing Axial – TTE/C	1322702A
7	Glowpin 12v	9017813B
-	Fuel Pump 12v Petrol/Diesel – DP2	1322440A
-	Fuel Pump 12v Diesel – DP30.02 pump only	1320292A
-	Gasket Set	9000861A

## Thermo Top Evo Range Water Heaters Common Replacement Parts – Diesel Only

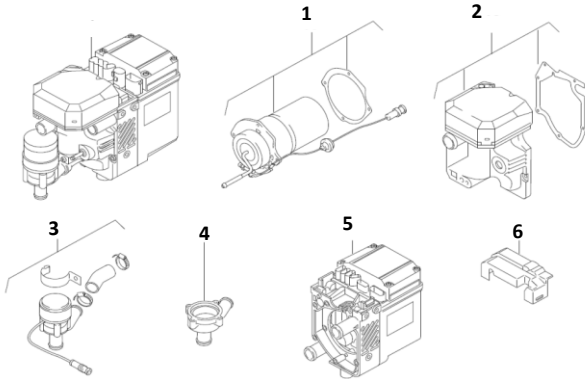


Item No	Description	Part No.
1	Cover	1316036A
2, 6	Fan/ECU Thermo Top Evo 4 Diesel	1315943B
	Fan/ECU Thermo Top Evo 5 Diesel	1315941B
	Fan/ECU Thermo Top Evo 5+ Diesel	1315942A
	Fan/ECU Thermo Top Evo 5 RV Gen 1 - 9037922A	NLA
	Fan/ECU Thermo Top Evo 5 RV Gen 4	9042118A
3	Burner Thermo Top Evo Diesel including Glowpin	1315947A
4, 6	Heat Exchanger Thermo Top Evo – Gen 1	1315950A
	Heat Exchanger Thermo Top Evo – Gen 4	1321655A
4a	Coolant Temperature Sensors – was 9021769A	9045211A
5, 6	Glowpin Thermo Top Evo	1315949B
6	SP Bag SMP WUET TT-Evo – Gasket Set	1316343A
7	Water Pump U4847 Econ Axial 18mm	1316193A
	Water Pump U4847 20mm (RV Version)	9002514B
8	Cable Water Pump U4847 400mm	1320306A
	Cable Water Pump U4847 600mm	1319967A
	Cable Water Pump U4847 1500mm	1320307A
	Cable Water Pump U4847 750mm	1320308A
9	Bag Support Water Pump U4847 Econ	1322841A
10	SP - Exhaust gas temperature sensor ttp60	1323324A
-	Dosing Pump DP 42.4 (12v/24v)	1324533A
-	Ventilation Control	1319966A
-	Main Wiring Harness – Car/Multi Control	1320330A
-	Wiring Harness Relay & Safety Holder	1320658A

FOR PETROL HEATER COMPONENTS, PLEASE REFER TO RELEVANT TECHNICAL SPARE PARTS HANDBOOK

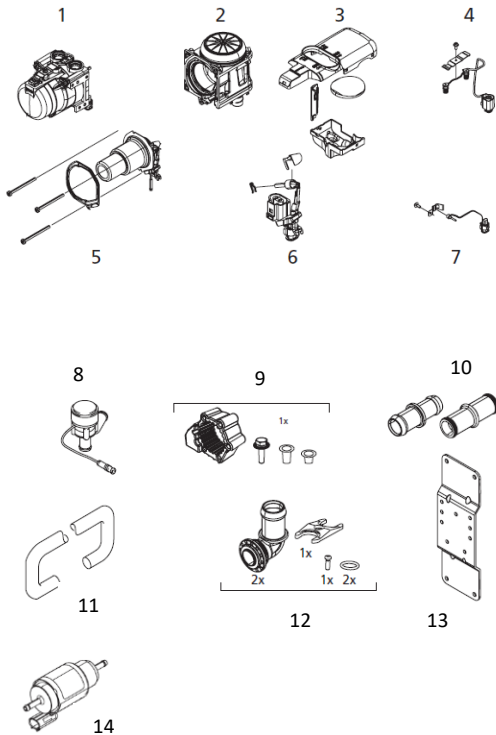
# Water Heating Systems

## Thermo 50 Water Heater Common Replacement Parts



Item No	Description	Part No
1	Burner (Diesel)	98234B
2	Combustion Air Fan 24v	98235B
3	Circulation Pump U4847 24v	98237B
4	Pump housing axial	1322702A
5	Burner head/heat exchanger/control unit 24v	9032438A
6	Central end cover	1311100A
Not Shown	Fuel Pump 24v DP30.02	1320294A

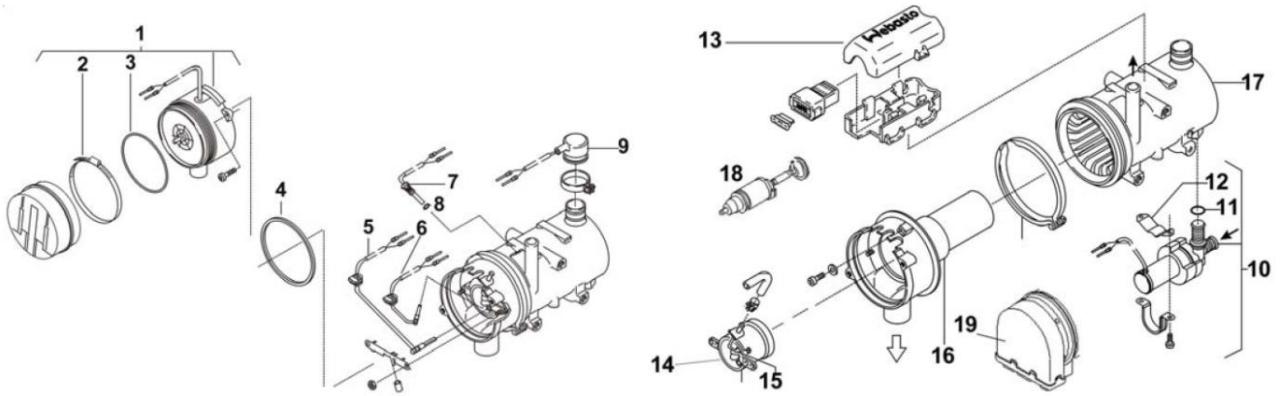
## Thermo Pro 50 Eco Water Heater Common Replacement Parts



Item No	Description	Part No
1	Heat Exchanger	1321655A
2	Blower/ECU Blower/ECU HA Version	9027117D POA
3	Protective Cap	1316036A
4	Coolant Temperature Sensors – was 9021769A	9045211A
5	Burner (including glowpin)	9026489B
6	Glowpin 24v	9026490A
7	Exhaust Temperature Sensor – Was 9026491B	1323324A
8	Circulating Pump U4847 24v	9028635A
9	Mounting Parts for Circulating Pump	9027035A
10	Connection Pipe & Hose Clamp	9024807A
11	Hose 20mm 2 X 180 deg. 2.2m	1319631A
12	Water Socket – 20mm	9026726A
13	Mounting Bracket	1321940A
14	Dosing Pump DP 42.4 (12v/24v)	1324533A
Not Shown	Wiring Harness	1319967A

# Water Heating Systems

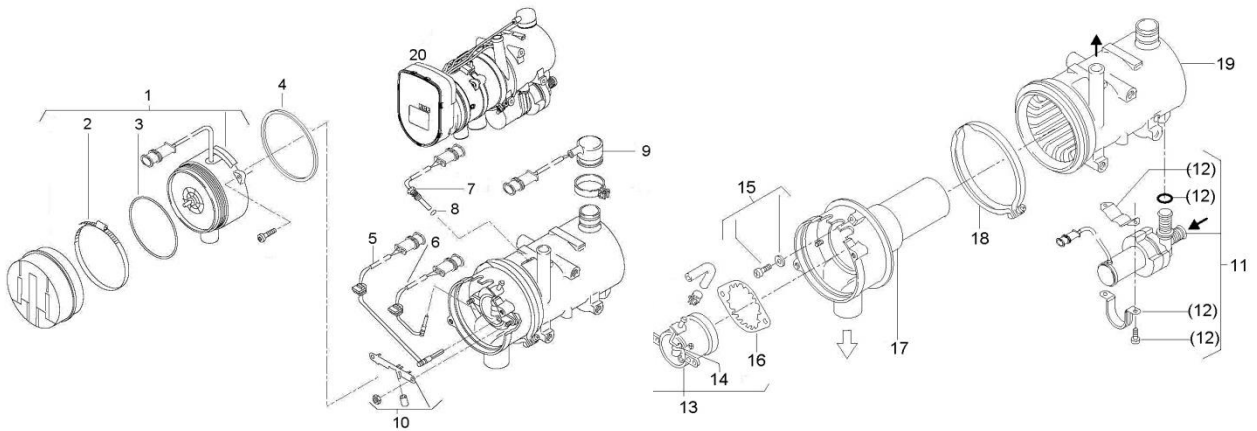
## Thermo 90 S Water Heater Common Replacement Parts



Item No	Description	Part No.
1	Combustion Air Fan 12v Combustion Air Fan 24v	90214A 90215A
2	Hose Clamp	139653
3 + 4	Gasket Ring	1322875A
5	Flame Detector	1322410A
6	Glowpin 12v Glowpin 24v	1322434A 1322412A
7	Temperature Sensor	1319653A
8	Gasket Ring	1320049A
9	Overheat Protection	1319651A
10	Water Pump 12v - EXCHANGE SET U4846 T90 TO UP4829 12V Water Pump 24v - EXCHANGE SET U4846 T90 TO UP4829 24V	86568A 1322824A
11	Gasket Ring	1321046A
12	Not Available	-
13	Protection Cap	9026934A
14	Burner Cartridge (Standard Heater) Diesel	1322584A
15	Burner Cartridge (Standard Heater) includes flame tube, gasket set Diesel	9039292A
16	Not available	-
17	Burner Tube	1322847A
18	Heat Exchanger (U4846 pump) (was 1317521A) Includes sensors and hose clamp	9039281A
19	Fuel Pump 12v Diesel – DP30.02 pump only - no damper (damper must be used) Fuel Pump 24v Diesel – DP30.02 pump only - no damper (damper must be used) Order Fuel damper kit for above if required	1320292A 1320294A 478814
19	Control Unit 12v - SG1577 Control Unit 24v - SG1577	9025599A 9025554A
Not Shown	Harness – Heater to Control Box	1320951A
Not Shown	Harness – Control Box to Switch	1320952A
Not Shown	Thermo 90 / S 12v Service Kit (contains Burner with glowpin, flame detector & gasket set) – Diesel Only	4111828A
Not Shown	Thermo 90 / S 24v Service Kit (contains Burner with glowpin, flame detector & gasket set) – Diesel Only	4111829A

# Water Heating Systems

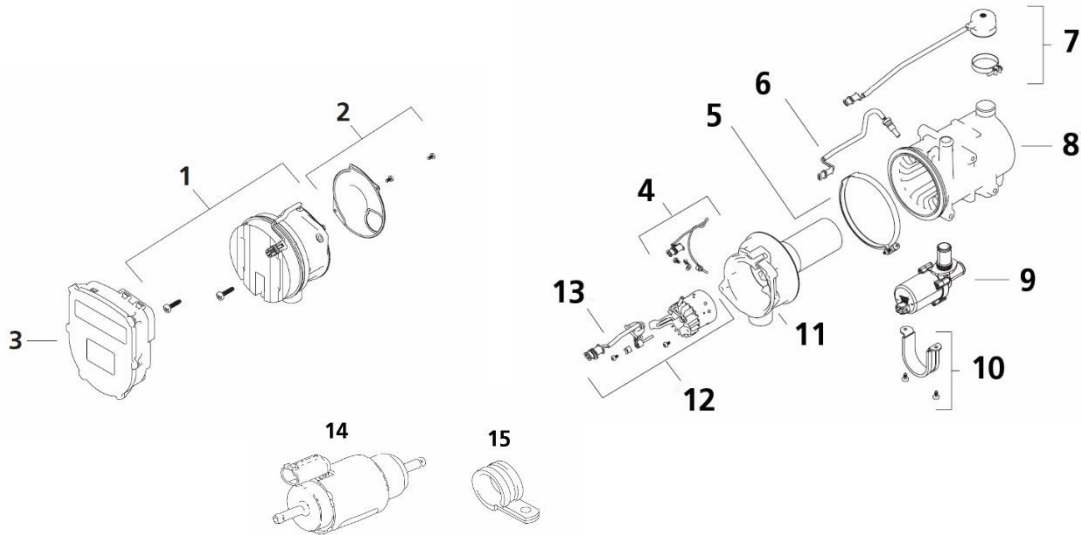
## Thermo 90 ST Water Heater Common Replacement Parts



Item No	Description	Part No.
1	Combustion Air Fan 12v Combustion Air Fan 24v	9010622A 9010621A
2	Hose Clamp	139653
3 + 4	Gasket Ring	1322875A
5	Flame Detector	9010617B
6	Glowpin 12v Glowpin 24v	9010615B 1322644C
7	Temperature Sensor	9010620A
8	Gasket Ring	9011519A
9	Overheat Protection	9010616A
10	Taptite Self Tapping Screw Set	9011518A
11	Kit U4840, 12 V (including U4840, 12 V with adapter cable and connection kit) Kit U4840, 12 V (including U4840, 12 V with bracket, adapter cable and connection kit) Kit U4840, 24 V (including U4840, 24 V with adapter cable and connection kit) Kit U4840, 24 V (including U4840, 24 V with bracket, adapter cable and connection kit)	9024184B 9024186B 9024185B 9024187B
12	Mounting Parts Set—U4846 Pump (on run out)	9011521A
13	SP Service Kit Thermo 90ST Burner D inc. Burner tube (replaced 1322584A)	9039292A
14	Not Available	-
15	Mounting Parts Set for Burner Head	9011520A
16	Inlet Guide Plate	1321029A
17	Burner Tube	1322847A
18	Tightening Clamp	1322856A
19	Heat Exchanger (U4846 pump) (was 1317521A) Includes sensors and hose clamp	9039281A
20	Control Unit SG1577 12v Control Unit SG1577 24v	9011398A 9011399A
Not Shown	Fuel Pump 12v Diesel – DP30.02 pump only - no damper (damper must be used) Fuel Pump 24v Diesel – DP30.02 pump only - no damper (damper must be used) Order Fuel damper kit for above if required	1320292A 1320294A 478814
Not Shown	Thermo 90 ST 12v Service Kit (contains Burner + tube with glowpin, flame detector & gasket set) – Diesel Only Thermo 90 ST 24v Service Kit (contains Burner + tube with glowpin, flame detector & gasket set) – Diesel Only	4111830A 4111831A

# Water Heating Systems

## Thermo Pro 90 Water Heater Common Replacement Parts

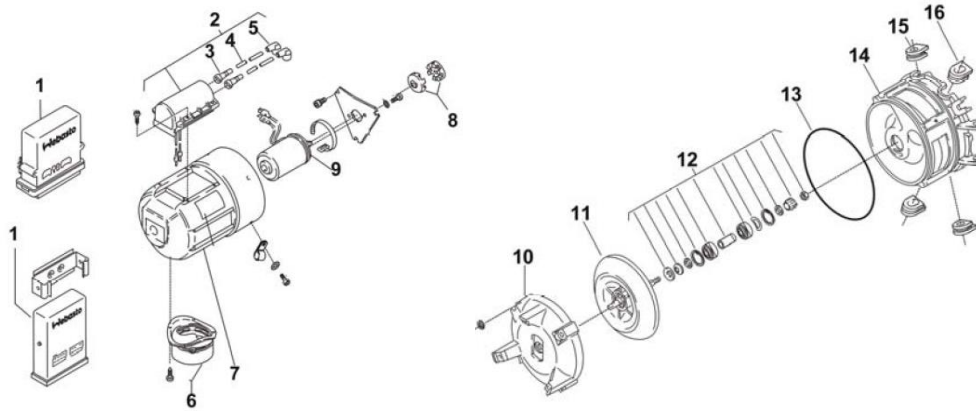


Item No	Description	Part No.
1	Combustion Air Fan 12v Combustion Air Fan 24v	1317514B 1317513B
2	Seal	9026176A
3	Control Unit (ECU) 12v (SG1577-E3.6) Control Unit (ECU) 24v (SG1577-E3.6)	1318925C 1318926C
4	Exhaust Temperature Sensor	1317520A
5	Clamp	1322856A
6	Temperature Sensor	9010620A
7	Overheat Protection	9010616A
8	Heat Exchanger (U4846 pump) (was 1317521A) Includes sensors and hose clamp	9039281A
9	Water Pump 12v (U4840) Water Pump 24v (U4840)	1317523A 1317522A
10	Mounting Part kit for Water Pump	9026075A
11	Burner Tube	1317515A
12	Burner 12v (including Glow pin) Burner 24v (including Glow pin)	1317517A 1317516A
13	Glow pin 12v Glow pin 24v	1317519A 1317518A
Not Shown	Water Pump Wiring Harness U4840	1318928A
14	Dosing Pump DP 42.4 (12v/24v)	1324533A
15	P Clip	21499A



# Water Heating Systems

## DBW2010 Water Heater Common Replacement Parts Non Sensoric & Sensoric

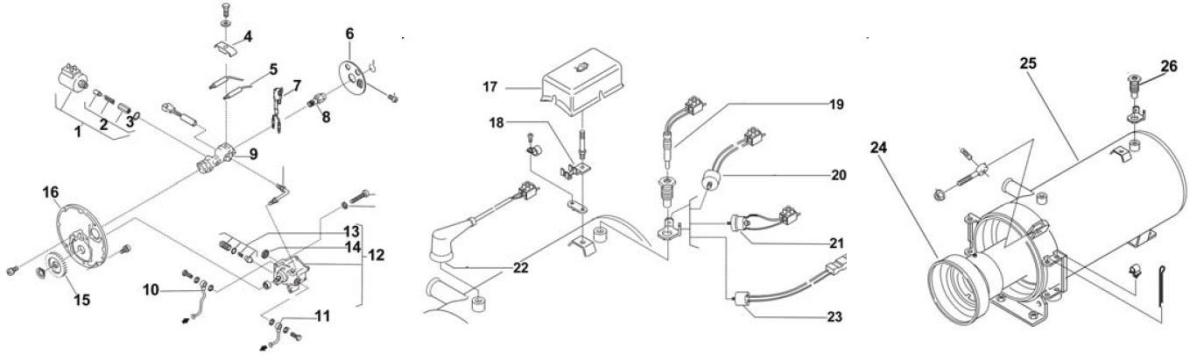


Item No	Description	Part No.
1	Control Unit 12v (Non Sensoric) Control Unit 24v (Non Sensoric) Control Unit 24v (Sensoric)	9023417B 9023418A 1320904A
2	Electronic Ignition Unit 12v Electronic Ignition Unit 24v	1320225A 1319242A
3	Socket (bag of 10) price per bag	1321118A
4	High Tension Ignition Cable	1321683B
5	Electrode Plug	NLA
6	Combustion Air Intake Socket 80dia.	1320544A
7	Protection Hood	436216
8	Clutch Half (2 required)	1320035C
9	Motor 12v Motor 24v	9023885A 9023886A
10	Motor Support	1320482A
11	Impellor & Shaft	1322488A
12	Parts Kit for Mounting Shaft	378313
13	Gasket Ring	1320047A
14	Blower Casing	1322534A
15	Rubber Grommet LH (bag of 2)	9035741A
16	Rubber Grommet RH	1321018A
Not Shown	Water Pump 12v U4810 (pump only) – (was 458384)	9024186B
Not Shown	Water Pump 24v U4810 (pump only)	9024185B

For DBW 2016 spares, please refer to spare parts manual

# Water Heating Systems

## DBW2010 Water Heater Common Replacement Parts Non Sensoric Only

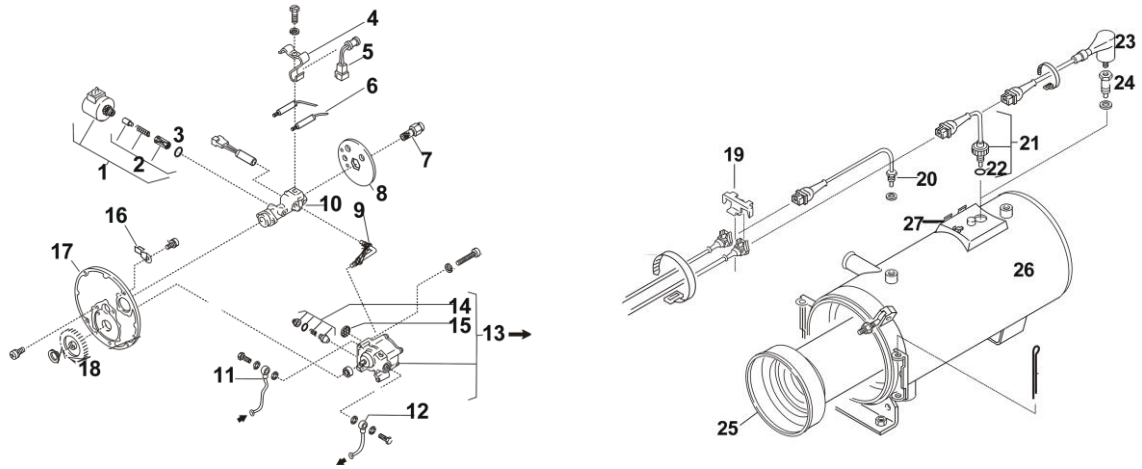


Item No	Description	Part No.
1	Magnetic Coil 12v Magnetic Coil 24v	1319359A 1319360A
2	Small Parts Kit for Magnetic Coil	1319389A
3	Gasket Ring	1321116A
4	Electrode Clamp	1321123A
5	Ignition Electrode (Sold as a Pack of 2)	1320801B
6	Washer	88771A
7	Flame Detection Photocell	1319302A
8	High Pressure Nozzle 7 Bar	1319513A
9	Nozzle Holder	1320247A
10	Fuel Supply Line	1320787A
11	Fuel Return Line – Was 345288	NLA
12	Fuel Pump 7 Bar	66546A
13	Pressure Control Valve	1320547A
14	Filter	1319357A
15	Straight Spur Gear	1320041A
16	Nozzle Holder Plate	1320524A
17	Protection Cap	487627
18	Connector Clip	1320480A
19	Overheat Fuse (Brown Cable) 122°C Overheat Fuse (Yellow Cable) 138°C	1319405A 1319406A
20	Control Thermostat (Green/Red Cable) 75°C	1320251A
21	Overheat Protection (Green Cable) 117°C	1319410A
22	Control Thermostat (Green/Red Cable) 75°C	1320964A
23	Blower Thermostat (Blue/Brown Cable) 40°C	1319169A
24	Combustion Chamber	1322475A
25	Heat Exchanger Downward Exhaust	1322498A
26	Locking Screw Fitting	1321117A
Not Shown	Wiring harness non sensoric	1319374A

For DBW 2016 spares, please refer to spare parts manual

# Water Heating Systems

## DBW2010 Water Heater Common Replacement Parts Sensoric Only

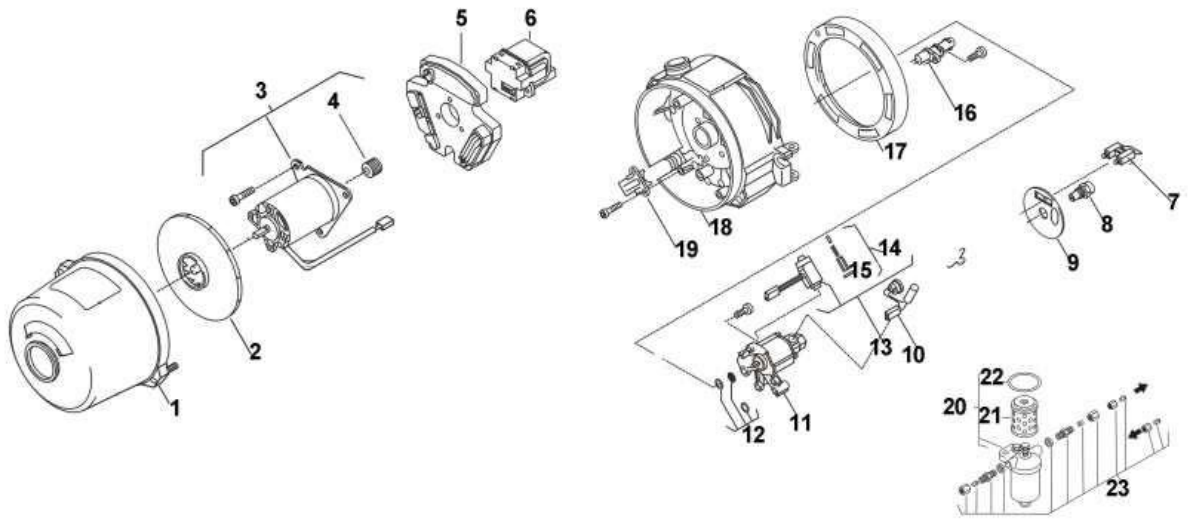


Item No	Description	Part No.
1	Magnetic Coil 12v Magnetic Coil 24v	1319359A 1319360A
2	Small Parts Kit for Magnetic Coil	1319389A
3	Gasket Ring	1321116A
4	Support Bracket	1320237A
5	Flame Detection Photocell	1321211A
6	Ignition Electrode (Sold as a Pack of 2)	1320801B
7	High Pressure Nozzle – 7 bar	1319513A
8	Washer	88772A
9	Pressure Pipe	1320145A
10	Nozzle Holder	1320247A
11	Fuel Supply Line	1320787A
12	Fuel Return Line – Was 345288	NLA
13	Fuel Pump	66546A
14	Pressure Control Valve	1320547A
15	Filter	1319357A
16	Not available	-
17	Nozzle Holder Plate	1320524A
18	Straight Spur Gear	1320041A
19	Connector Plug Clip	1321040A
20	Control Thermostat	106123
21	Overheat Fuse 138°C	1319480A
22	Gasket Ring	1320049A
23	Overheat Protection 117°C	1320526A
24	Adaptor Fitting	1320479A
25	Combustion Chamber	1322475A
26	Heat Exchanger (Downward Exhaust)	1322665A
27	Console	1319598A
Not Shown	Wiring Harness – Sensoric	1320309A

For DBW 2016 spares, please refer to spare parts manual

# Water Heating Systems

## Thermo 230 / Thermo 300 / Thermo 350 Water Heaters Common Replacement Parts



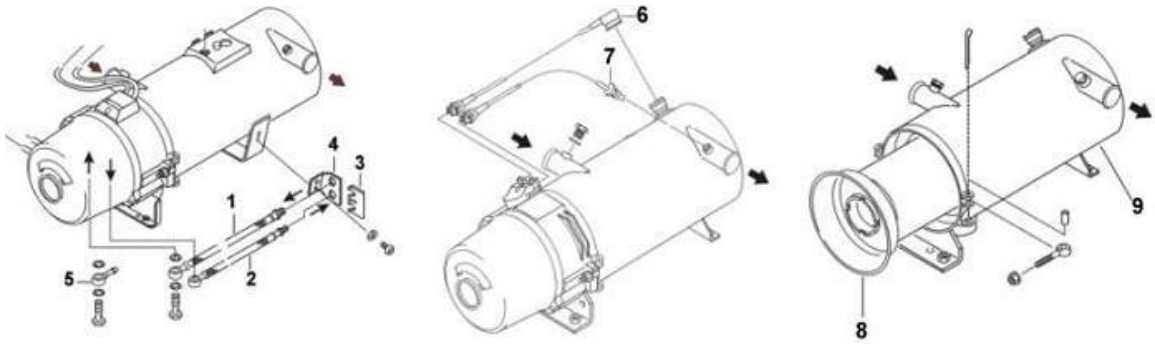
Item No	Description	Model	Part No.
Not Shown	Replacement Burner Replacement Burner Replacement Burner	Thermo 230 Thermo 300 Thermo 350	65475C 65476E 65477D
1	Hood	All	1320318B
2	Fan Rotor	All	1320583A
3	Drive Assembly 24v Drive Assembly 24v Drive Assembly 24v	Thermo 230 Thermo 300 Thermo 350	1319990B 1319991B 1319992A
4	Clutch	All	1321022A
5	Electronic Control Unit 24v SG1572D	All	1320405B
6	Electronic Ignition Unit 24v	All	1320252A
7	Ignition Electrode	All	1319545A
8	High Pressure Nozzle High Pressure Nozzle High Pressure Nozzle	Thermo 230 Thermo 300 Thermo 350	1319452A 1319453A 1319451A
9	Washer	All	1320181A
10	Heating Element c/w Thermostat	All	1320444A
11	Fuel Pump 24v DW230-350	All	9810200B
12	Parts Kit for Fuel Pump	All	1322637A
13	Magnetic Coil 24v	All	SPH11117507A
14	Parts Kit for Magnetic Coil	All	1319389A
15	Gasket Ring	All	1321116A
16	Flame Detector Photocell	All	1320504A
17	Adjusting Ring	All	1319599A
18	Housing – Was 1320006B	All	NLA
19	Core Grip (2 Required) – Price each	All	1320099A
20	Fuel Filter	All	1319291A
21	Strainer	All	1320031A
22	Gasket Ring	All	1319706A
23	Parts Kit for Filter	All	1320539A

# Water Heating Systems

Thermo 230 / Thermo 300 / Thermo 350

Water Heaters

Common Replacement Parts

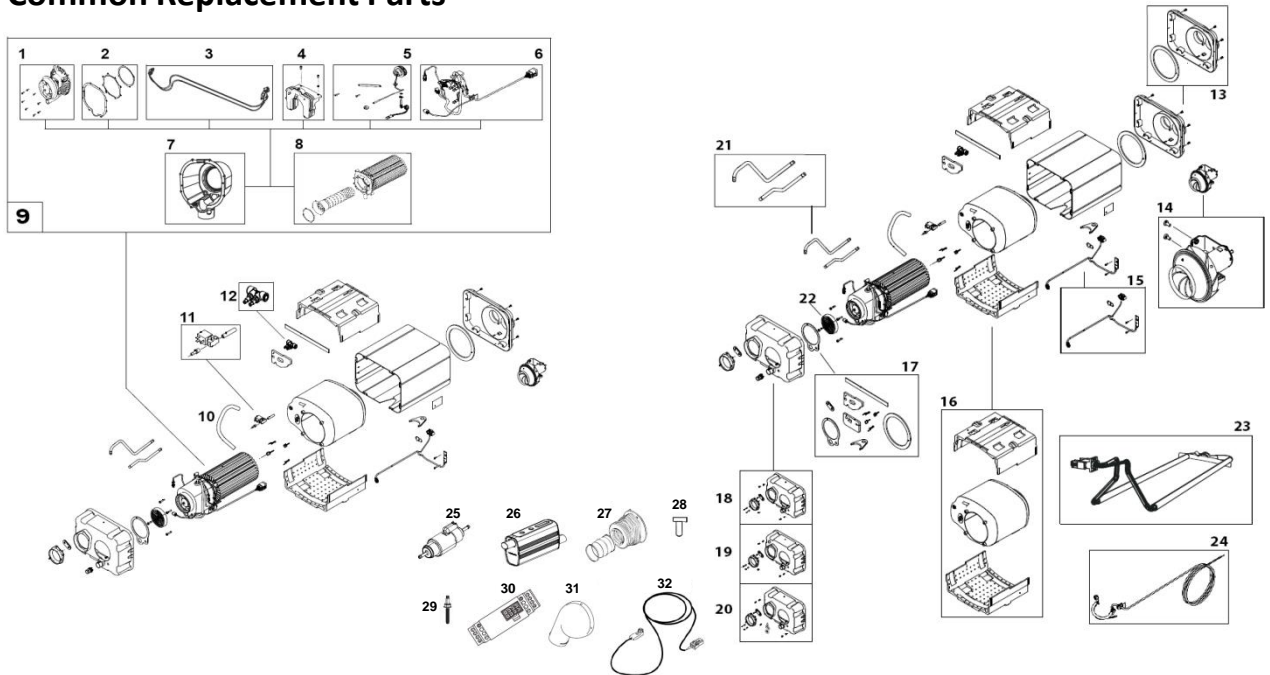


Item No	Description	Heater Model	Part No.
1	Fuel Supply Line	All	1319730A
2	Fuel Return Line	All	1319731A
3	Clamp	Thermo 300	362115
4	Hose Support - 1320053A	Thermo 300	463027Z
5	Banjo Bolt (2 required)	All	1320868A
6	Overheat Protection (Blue) 120°C	All	1319960A
7	Temperature Sensor	All	1319548A
8	Combustion Chamber	All	9810282A
9	Heat Exchanger	All	9810040A

# Integrated Heating Systems

## Dual Top Evo/ST 6 /Dual Top Evo/ST 8 Common Replacement Parts

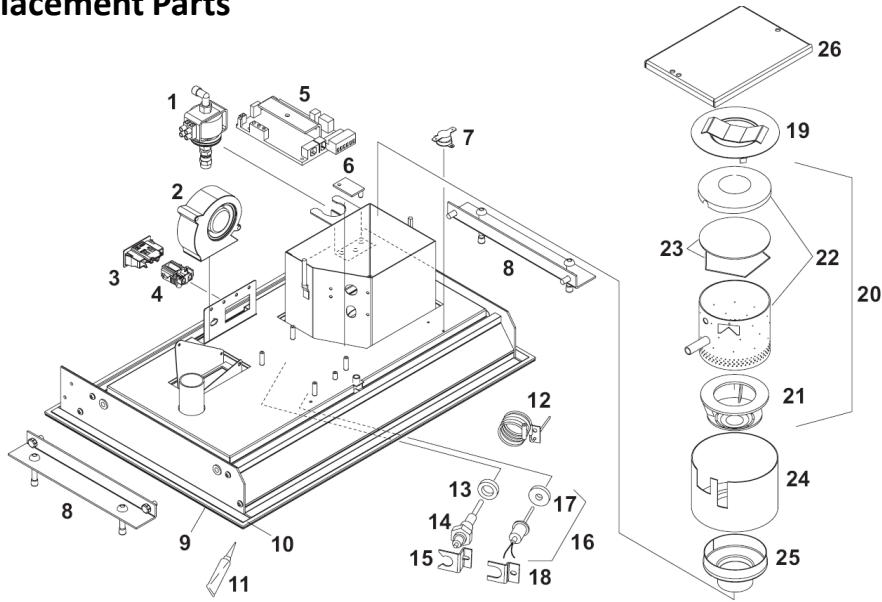
All parts except boiler are available



Item No	Description	Part No.
1	Combustion/Cooling Fan Dual Top Evo/ST 6 / 8	9019409D
2	Gasket set thermo unit Dual Top Evo/ST 6 / 8	9019415C
3	Overheat protector	9019413B
4	Control Unit Dual Top Evo/ST 6 Control Unit Dual Top Evo/ST 8	9019410D 1314769C
5	Burner c/w Glowpin Dual Top ST/Evo 6 / 101 /102 Glowpin only	9019412B 1314150A
6	Wiring Harness (Internal) Dual Top Evo/ST 6 / Dual Top Evo/ST 8	9019411B
7	Cooling Shell Dual Top Evo/ST 6 / Dual Top Evo/ST 8	9019425B
8	Heat exchanger Dual Top Evo/ST 6 / Dual Top Evo/ST 8	9019414C
9	Thermo unit Dual Top Evo/ST 6 Thermo unit Dual Top Evo/ST 8	9019946G 1314758E
10	Drain tube Dual Top Evo 6 / Dual Top Evo 8 Drain tube Dual Top ST 6 / Dual Top ST 8	9019422B 9042490A
11	Boiler Drainage Solenoid Valve Dual Top Evo/ST 6 / Dual Top Evo/ST 8	9020710B
12	Valve Air Ventilation/Overpressure	9019405B
13	End Cap Dual Top Evo/ST 6 / Dual Top Evo/ST 8	9019402C
14	Heating Air Blower Assy c/w PWM Dual Top Evo/ST 6 / Dual Top Evo/ST 8	9019404C
15	Sensor wiring harness Dual Top Evo/ST 6 / Dual Top Evo/ST 8	9019400B
16	Stainless Steel Boiler Replacement kit – All Models includes all parts needed – (see latest parts manual)	1328311C
17	Gasket Set Basic Heater Dual Top Evo 6 / Dual Top Evo 8 Gasket Set Basic Heater Dual Top ST 6 / Dual Top ST 8	9019406B 9042489A
18	Service Cap Dual Top Evo/ST 6	9019399A
19	Service Cap Dual Top Evo/ST 6 / Dual Top Evo/ST 8 Diving pump version	1315165A
20	Service Cap RHA Dual Top Evo/ST 8	9019654B
21	Water pipes Dual Top Evo 6 / Dual Top Evo 8 (2 pieces) Water pipes Dual Top ST 6 / Dual Top ST 8 (2 pieces)	1314773A 1328310B
22	Air Intake Grille Dual Top Evo/ST 6 / Dual Top Evo/ST 8	9019423B
23	Mains Heating Element Kit Dual Top Evo/ST 8 (2 pieces)	9020714A
24	Wiring harness tubular heater 230v Dual Top Evo/ST 8	9019653B
25	Dosing pump 40.2 12v Dual Top Evo/ST 6 / Dual Top Evo/ST 8	9019418C
26	Exhaust Silencer Dual Top Evo/ST 6 / Dual Top Evo/ST 8	1314770B
27	Rubber Bellow Assembly Dual Top Evo/ST 6 / Dual Top Evo/ST 8	9018647C
28	Hammer Screws (qty 6) – Bag of 6	9019424B
29	Bag with Screws RHA Dual Top Evo/ST 8	NLA
30	Relay Box RHA Dual Top Evo/ST 8 230v	1314772B
31	Air Intake Cover (D60) Dual Top Evo/ST 6 / Dual Top Evo/ST 8	1314904A
32	External Temperature Sensor Dual Top Evo/ST 6 / Dual Top Evo/ST 8	9019417B
Not Shown	Dual Top Dual Top Evo/ST 6 / 812v Service Kit (incl burner & gasket set)	4111825A
Not Shown	Seal – Boiler (Dual Top)	1320955A

# Accessories

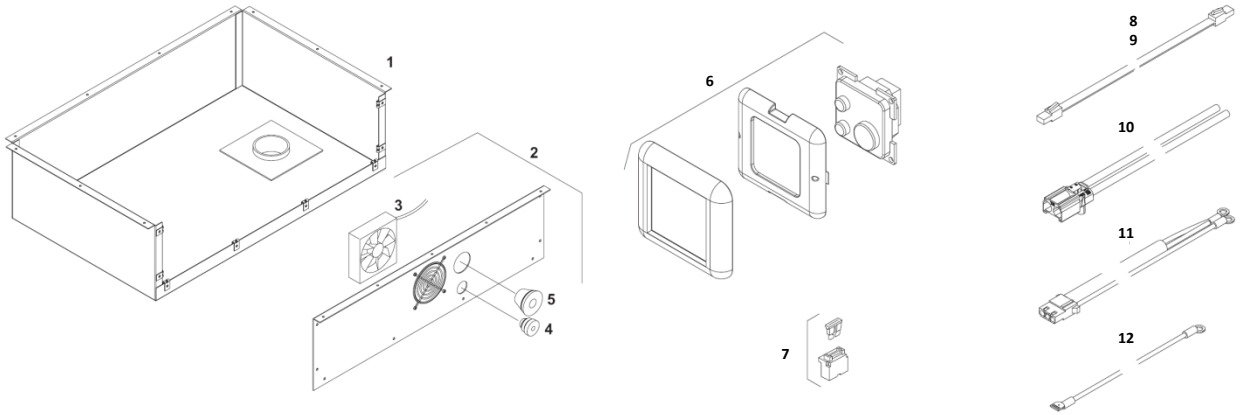
## Diesel Cooker X100 Common Replacement Parts



Item No	Description	Part No.
1	Fuel Pump FC1	WA601948
2	Combustion Blower	WA850205
3	Mounting flange for power connector	WA854398
4	Terminal block male for power connector	WA854397
5	Control unit XPS	WA40130
6	Hot plate indication LED	WA40140
7	Overheat thermostat complete incl wire set	WA111685
8	Table mounting bracket (Qty 2)	WA602570
9	CERAN® Glass plate	WA602593
10	Gasket for CERAN® Glass plate – 2.5m Long	WA362597
11	Silicone glue for CERAN® Glass plate – 300ml	3397578A
12	Fuel pipe - Copper	WA301150
13	Gasket for Glowpin	WA300194
14	Glowpin	WA853513
15	Fixing bracket for Glowpin	WA300165
16	Thermo element T4 + gasket	WA36400
17	Gasket for thermo element T4	WA300163
18	Fixing bracket for thermo element T4	WA602376
19	Reflector plate 1	WA602714
20	Burner Cylinder Assembly	WA602211
21	Radiation element	WA260114
22	Burner Cylinder	WA602216
23	Burner matting 85mm diameter with spring	WA36098
24	Burner outer cylinder	WA300115
25	Not available	-
26	Burner chamber bottom section	WA601928KOK

# Accessories

## Diesel Cooker X100 Common Replacement Parts



Item No	Description	Part No.
1	Ventilation box	WA602697
2	Front plate assembly	WA602698
3	Ventilation fan	WA36207
4	Seal 25mm diameter	WA401119
5	Seal 38mm diameter	WA401120
6	Operating Panel	WA40125A
7	Fuse Kit – 15A	3200432A
8	Operating panel wiring harness 2m long	WA854016
9	Wiring harness for high altitude switch	WA854014
10	Main Power cable with connectors 4m long	WA854192
11	Wiring harness for Glowpin	WA854006-B
12	Grounding wiring harness	WA300790



1	Definitions and Interpretation
1.1	In these Conditions the following words have the following meanings: "the Company" means Webasto Thermo & Comfort UK Ltd (Registered No: 2181825) whose registered office is at Webasto House, White Rose Way, Doncaster Carr, South Yorkshire, DN11 5JH. "Contract" means any contract between the Company and the Customer for the sale of Goods and/or provision of Services, incorporating these Conditions. "The Customer" means the person(s), firm or company who purchases the Goods and/or Services from the Company. "Goods" means any goods agreed in the Contract to be supplied to the Customer by the Company (including any part or parts of them). "Services" means any Services agreed in the contract to be supplied to the Customer by the Company, "Working Day" means any day except Saturday, Sunday or a bank holiday, public or statutory holiday in England. In these Conditions references to any statute or statutory provision shall, unless the context otherwise requires, be construed as a reference to that statute or statutory provision as from time to time amended, consolidated, modified, extended, re-enacted, suspended or replaced.
1.2	In these Conditions references to a gender include every gender, reference to persons include an individual, company, corporation, firm or partnership and reference to the singular include the plural and vice versa as the context admits or requires.
1.3	Headings are for ease of reference only and shall not affect the construction of these Conditions 2
1.4	
2.	Application of Terms
2.1	Subject to any variation under Condition 2.2 the Contract will be subject to these Conditions to the exclusion of all other terms and Conditions (including any terms or Conditions which the Customer purports to apply under any purchase order, confirmation of order, specification or other document whatsoever).
2.2	Any variation to these Conditions and any representations about the Goods or Services shall have no effect unless expressly agreed in writing and signed by a director of the Company.
2.3	Each order for Goods or Services by the Customer from the Company shall be deemed to be an offer by the Customer to purchase Goods or Services subject to these Conditions.
2.4	No order placed by the Customer shall be deemed to be accepted by the Company until a written acknowledgement of order is issued by the Company or (if earlier) the Company commences manufacture or despatch of the Goods to the Customer. Any order shall be accepted entirely at the discretion of the Company.
2.5	The Customer must ensure that the terms of its order and any applicable specification are complete and accurate.
2.6	Any quotation or estimate is given subject to these Conditions. Without prejudice to the Company's right not to accept an order, quotations will be valid for 30 days from date of issue.
2.7	The Customer can only cancel an order (or any part of an order) which the Company has already accepted, with the Company's prior agreement in writing and provided that the Customer indemnifies the Company in full in terms established by the Company. The Company is not bound to agree to any such cancellation and may complete such order even if the Customer claims to cancel the order.
3	Description of the Goods and Services
3.1	The description of the Goods or Services shall be set out in the Company's acknowledgement of order, or in its absence the Company's quotation.
3.2	All drawings, descriptive matter, specifications and advertising issued by the Company and any descriptions or illustrations contained in the Company's catalogues or brochures are issued or published for the sole purpose of giving an approximate idea of the Goods or Services described in them and they will not form part of the Contract.
4	Delivery and Acceptance of Goods
4.1	Unless otherwise agreed in writing by the Company delivery of the Goods shall take place at the Customer's place of business.
4.2	The Customer will take delivery of the Goods within 7 days of the Company giving it notice that the Goods are ready for delivery.
4.3	Any dates specified by the Company for delivery of the Goods are intended to be an estimate and time for delivery shall not be made of the essence by notice. If no dates are so specified, delivery will be within a reasonable time.
4.4	Subject to the other provisions of these Conditions the Company will not be liable for any loss (including loss of profit), costs, damages, charges or expenses caused directly or indirectly by any delay in the delivery of the Goods (even if caused by the Company's negligence), nor will any delay entitle the Customer to terminate or rescind the Contract unless such delay exceeds 90 days.
4.5	If for any reason the Customer does not accept delivery of any of the Goods when they are ready for delivery, or the Company is unable to deliver the Goods on time because the Customer has not provided appropriate instructions, documents, licences or authorisations then the Goods will be deemed to have been delivered, risk passing to the Customer (including for loss or damage caused by the Company's negligence) and the Company may: <ul style="list-style-type: none"> <li>(a) store the Goods until actual delivery whereupon the Customer will be liable for all related costs and expenses (including without limitation storage and insurance); or</li> <li>(b) sell the Goods at the best price readily obtainable and (after deduction all reasonable storage and selling expenses) account to the Customer for any excess over the price under the Contract or charge the Customer for any shortfall below the price under the Contract.</li> </ul>
4.6	The Customer will provide at its expense at the place of delivery adequate and appropriate equipment and manual labour for loading the Goods.
4.7	If the Company delivers to the Customer a quantity of Goods of up to 10% more or less than the quantity accepted by the Company the Customer shall not be entitled to object to or reject the Goods or any of them by reason of the surplus or shortfall and shall pay for such goods at the pro rata Contract rate.
4.8	The Company shall be entitled at its discretion to make delivery of the Goods by instalments and to invoice the Customer for each instalment despatched. Where the Goods are to be delivered in instalments, each delivery shall constitute a separate contract and failure by the Company to deliver any one or more of the instalments in accordance with these Conditions or any claim by the Customer in respect of any one or more instalments shall not entitle the Customer to treat the Contract as a whole as repudiated or to refuse to accept subsequent instalments.
4.9	The quantity of any consignment of Goods as recorded by the Company upon despatch from the Company's place of business shall be conclusive evidence of the quantity received by the Customer on delivery unless the Customer can provide conclusive evidence proving the contrary.
4.10	The Company shall not be liable for any non-delivery of Goods (even if caused by the Company's negligence) unless written notice is given to the Company within 7 days and oral notice by telephone to the Company within 48 hours of the date when the Goods were due for delivery.
4.11	Any liability of the Company for non delivery of the Goods shall be limited to replacing the Goods within a reasonable time or issuing a credit note at the pro rata Contract rate against any invoice raised for such Goods.
4.12	Subject to Condition 4.13 the Customer will be deemed to have accepted the Goods as being in accordance with the Contract unless, within 14 days of the date of delivery of the Goods, the Customer notifies the Company in writing of any defect or other failure of the Goods to conform with the Contract which would be apparent upon reasonable inspection and testing of the Goods within 14 days (or within a reasonable time where the defect or failure would not be so apparent), failing which the Customer shall not be entitled to reject the Goods and the Company shall have no liability for such defect or failure, and the Customer shall be bound to pay the price as if the Goods had been delivered in accordance with the Contract.
4.13	Where the Customer agrees to deliver the Goods at premises other than the Customer's the Company shall have no liability for damage caused by the carrier or caused in transport or loading or unloading unless the Company is notified of that damage within 2 Working Days of delivery.
4.14	Goods, once delivered may not be returned, unless agreed in advance in writing by the Company, and subject to the following conditions: <ul style="list-style-type: none"> <li>a) Goods are returned in a new and unused condition;</li> <li>b) Any packaging remains unbroken and in reasonable condition;</li> <li>c) Returns are made within 3 weeks of delivery of those Goods, all transport and other costs paid by the Customer;</li> <li>d) Payment by the Customer to the Company of a restocking charge of 20% of the net invoice value of the relevant Goods;</li> <li>e) Returned goods shall be accompanied by a written record of invoice number, date and note of reasons for return.</li> </ul>
4.15	Blanket Orders – The following provisions will apply where the Company supplies the goods under a blanket order received from the Customer- <ul style="list-style-type: none"> <li>a) If the order is a scheduled order where the maximum quantity of goods required and the approximate dates (including the terminal date) on which the requirements will be called off are specified, the whole order will be treated as a single contract upon the contract terms.</li> <li>b) If the order is a non-scheduled order where the maximum quantity of goods required or where the appropriate call off dates are not specified, each call off will be deemed to conclude a separate contract upon the Contract Terms.</li> </ul> Without limiting the generality of any of the other Contract Terms the Company will not be under any liability to the Customer if at the time of any call off by the Customer the Company is unable for whatever reason to supply goods in accordance with the Customers requirements.
4.16	Design etc. <ul style="list-style-type: none"> <li>a) Where the goods are manufactured in accordance with information or drawings supplied by the Customer or to his design or specification or where standard goods of the Company are altered in accordance with the Customers instructions; - i) No guarantee or warranty is given by the Company as to the practicability, efficiency, safety or otherwise of the Goods (the being without prejudice to any other of the Contract Terms) ii) The Customer will indemnify and keep the Company indemnified against all liability incurred by the Company as a result of such Goods infringing any patent, registered design, copyright, or other like protection of the provision of any statute, statutory instrument or regulation for the time being in force</li> <li>b) No variation by the Company in the specification or design of any Goods shall constitute a breach of contract or impose upon the Company any liability whatsoever</li> <li>c) The Company shall be liable to the Customer in respect of any loss, damage or claim incurred by or made against the Customer should any goods supplied by the Company infringe any patent, registered design, copyright or other like protection or the provision of any statute, statutory instrument or regulation for the time being in force</li> <li>d) Unless otherwise agreed in writing at patterns, drawings, tools, electronic data, etc., produced by or on behalf of the Company shall remain the property of the Company</li> </ul>
5	Risk and Legal Title
5.1	The Goods shall be at the risk of the Customer from the time of delivery.
5.2	Full legal beneficial and equitable title to and property in the Goods shall remain vested in the Company (even though they have been delivered and risk has passed to the Customer) until: <ul style="list-style-type: none"> <li>(a) payment in full, in cash or cleared funds, for all the Goods has been received by the Company; and</li> <li>(b) all other money payable by the Customer to the Company on any other account or under the Contract or any other contract has been received by the Company.</li> </ul>
5.3	Until title to and property in the Goods passes to the Customer: <ul style="list-style-type: none"> <li>(a) the Customer shall hold the Goods on a fiduciary basis as the Company's bailee;</li> <li>(b) the Customer shall store the Goods at its premises in a proper manner in conditions which adequately protect, preserve the Goods and insure them without any charge to the Company and not tamper with any identification upon the Goods or their packaging and shall ensure that they are stored adequately from any other goods whether or not supplied by the Company and are clearly identified as belonging to the Company and the Company shall be entitled to examine any such goods in storage at any time during normal business hours upon giving the Customer reasonable notice of its intention to do so;</li> <li>(c) the Company may at any time on demand and without prior notice require the Customer to deliver the Goods up to the Company and the Company may repossess and resell the Goods if any of the events specified in Condition 14 occurs or if any sum due to the Company from the Customer under the Contract or on any other account or under any other contract is not paid when due;</li> <li>(d) for the purposes of this Condition 5 the Company, its employees and agents will be entitled to free and unrestricted access to any premises owned, occupied or controlled by the Customer and/or any other location where any of the Goods are situated at any time without prior notice;</li> <li>(e) the Company shall be entitled to maintain an action against the Customer for the price of the Goods notwithstanding that title to and property in the Goods has not passed to the Customer; and</li> <li>(f) the Company hereby authorises the Customer to use and/or sell the Goods in the normal course of the Customer's business and to pass good title in the Goods to its customers if they are purchasers in good faith without notice of the Company's rights. This right shall automatically cease on the occurrence of any event set out in Condition 14 and/or if any sum owed to the Company by the Customer is not paid when due. If the Customer sells the Goods prior to paying the full price thereof the Customer shall hold the proceeds of sale on trust for the Company and shall immediately pay the proceeds of the sale into a separate bank account. The Company shall be entitled to call upon the Customer to assign all claims that the Customer may have against purchasers of the Goods from the Customer.</li> </ul>
5.3	The Company's rights and remedies set out in this Condition 5 are in addition to and shall not in any way prejudice, limit or restrict any of the Company's other rights or remedies under the Contract or in law or equity.
6	Services
6.1	If the Contract includes the Company undertaking Services, then such Services shall be on the basis of the exclusions set out in Condition 6, 9 and 10 and the warranties set out in Conditions 6.2 and 9.
6.2	The Company warrants that it will carry out the Services under the Contract with reasonable care and skill. This warranty will be the only warranty given in respect of such Services.
6.3	Where the Company is to perform the Services at the Customer's premises, the Customer shall procure safe access to the premises and the provision of adequate power, lighting, heating and other such facilities or supplies for the Company's employees or agents in accordance with the demands of any applicable legislation and as the Company shall reasonably require.
6.4	The Services will be deemed completed and the relevant element of the price accordingly due and payable forthwith when the Company issues a written notice to the Customer confirming such completion or if the Company is available to perform the Services but is prevented from doing so by reason of: <ul style="list-style-type: none"> <li>(a) the lack of relevant assistance from the Customer (such as lack of availability of test components or parts from the Customer); and/or</li> <li>(b) the condition of the installation site and/or the facilities or the services available therein at the time of agreed provision of the Services.</li> </ul>
7	Price
7.1	Unless otherwise agreed by the Company in writing the price for the Goods or Services shall be the price set out in the Company's price list published on the date of delivery or deemed delivery of the Goods, or completion of performance of the Services
7.2	Unless agreed otherwise the price for the Goods shall be exclusive of any value added tax or other similar taxes or levies and all costs or charges in relation to loading, unloading, carriage and insurance all of which amounts the Customer will pay in addition when it is due to pay for the Goods.
8	Payment
8.1	Payment of the price for the Goods and/or Services is due 30 days after the earlier of the delivery of Goods or provision of Services, or date of invoice.
8.2	Time for payment shall be of the essence.
8.3	No payment shall be deemed to have been received until the Company has received cleared funds.
8.4	All payments payable to the Company under the Contract shall become due immediately upon termination of this Contract despite any other provision.
8.5	The Customer shall make all payments due under the Contract without any deduction whether by way of set-off, counterclaim, discount, abatement or otherwise unless the Customer has a valid court order requiring an amount equal to such deduction to be paid by the Company to the Customer.
8.6	If payments received from the Customer are not stated to refer to a particular invoice, the Company may appropriate such payment to any outstanding invoice addressed to the Customer from the Company.
8.7	The Company may withdraw any credit facility granted by it to the Customer at its sole discretion at any time.
8.8	If any sum due from the Customer to the Company under the Contract or any other contract is not paid on or before the due date for payment then all sums then owing by the Customer to the Company shall become due and payable immediately and without prejudice to any other right or remedy available to the Company, the Company shall be entitled to: <ul style="list-style-type: none"> <li>(a) cancel or suspend its performance of the Contract or any order including suspending delivery of the Goods and suspending delivery of any other goods to the Customer and suspending provision of the Services until arrangements as to payment or credit have been established which are satisfactory to the Company;</li> <li>(b) appropriate any payment made by the Customer to such of the Goods or such of the Services (or any goods or services supplied under any other contract between the Customer and the Company) or as the Company may think fit;</li> <li>(c) require the Customer to pay for Goods prior to their despatch or collection from the Company's premises;</li> <li>(d) suspend performance of Services remaining to be carried out; and</li> <li>(e) charge the Customer;</li> <li>(f) interest calculated on a daily basis on all overdue amounts (both before and after judgment) until actual payment at the rate of eight per cent (8%) per annum above the base lending rate of Barclays Bank Plc prevailing from time to time until payment is made in full;</li> <li>(g) the cost of obtaining judgement or payment to include all reasonable professional costs (including legal fees) and other costs of issuing proceedings or otherwise pursuing a debt recovery procedure.</li> </ul>

9	Quality	
9.1		If the Customer establishes to the Company's reasonable satisfaction that there is a defect in the materials or workmanship of the Goods manufactured or there is some other failure by the Company in relation to the conformity of the Goods with the Contract or the Services have not been performed with reasonable care and skill then the Company shall at its option and within a reasonable time at its sole discretion either: (a) repair or make good such defect or failure in such Goods or re-perform such Services free of charge to the Customer (including all costs of transportation of any Goods or materials to and from the Customer for that purpose); (b) replace such Goods with Goods which are in all respects in accordance with the Contract; or (c) issue a credit note to the Customer in respect of the whole or part of the purchase price of such Goods or Services as appropriate having taken back such Goods or materials relating to such Services subject in every case to the remaining provisions of this Condition 9 provided that the liability of the Company under this Condition 9 shall in no event exceed the purchase price of such Goods or Services and performance of any of the above options shall constitute an entire discharge of the Company's liability under this warranty.
9.2		Condition 9.1 shall not apply unless the Customer: (a) notifies the Company in writing of the alleged defect within 7 days of the time when the Customer discovers or ought to have discovered the defect and in any event within 12 months of the delivery of the Goods or 3 months of performance of Services to the Customer or such other periods as agreed by the Company in writing; and (b) affords the Company a reasonable opportunity to inspect the relevant Goods or the location at which the Services were performed and, if so requested by the Company and where it is reasonable to do so, promptly returns to the Company or such other person nominated by the Company a sample of the Goods or materials relating to the Services within 14 days, carriage paid by the Customer, for inspection, examination and testing and/or otherwise permit the Company to have access to the Goods or such materials at the Customer's premises or other location where they may be or the Services were performed for such purposes.
9.3		If the Company elects to replace the Goods or re-perform the Services the Company shall deliver the replacement Goods to or re-perform the Services for the Customer at the Company's own expense at the address to which the defective Goods were delivered and the title to the defective Goods which are being replaced shall (if it has vested in the Customer) re-vest in the Company and the Customer shall make any arrangements as may be necessary to deliver up to the Company the defective Goods which are being replaced or materials relating to the previously performed Services to the Company.
9.4		The Company shall be under no liability under the warranty at Condition 9.1 above: (a) in respect of any defect arising from fair wear and tear, wilful damage, negligence, abnormal working conditions, failure to follow the Company's instructions (whether oral or in writing), failure to follow the Company's recommended maintenance programme, misuse or alteration or repair of the Goods without the Company's approval; (b) if the total price for the Goods or Services has not been paid by the due date for payment; (c) for any parts, materials or equipment not manufactured by the Company, in respect of which the Customer shall only be entitled to the benefit of any such warranty or guarantee as is given by the manufacturer to the Company to the extent to which it is assignable; (d) in respect of any components or type of wear specifically excluded by the Company by notice in writing; or (e) if the Goods were not correctly installed in accordance with the Company's instructions, or were not installed by an installer approved by the Company.
9.5		The terms of Condition 9 are subject to any amendment or superseding warranty made by notice in writing from the Company to the Customer.
10	Limitation of Liability	
10.1		Subject to Condition 9, the following provisions set out the entire liability of the Company (including any liability for the acts or omissions of its employees, agents and sub-contractors) to the Customer in respect of: (a) any breach of these Conditions; and (b) any representation, statement or tortious act or omission including negligence arising under or in connection with the Contract.
10.2		All warranties, conditions and other terms implied by statute or common law (save for the conditions implied by, in relation to Goods, section 12 of the Sale of Goods Act 1979 and, in relation to Services, Section 2 of the Supply of Goods and Services Act 1982) are, to the fullest extent permitted by law, excluded from the Contract.
10.3		Nothing in these Conditions excludes or limits the liability of the Company for death or personal injury caused by the Company's negligence, or fraudulent misrepresentation (save that in respect of any fraudulent misrepresentation, the Customer's remedy shall be limited to damages).
THE CUSTOMER'S ATTENTION IS IN PARTICULAR DRAWN TO THE PROVISIONS OF CONDITION 10.4		
10.4		Subject to Conditions 10.2 and 10.3: (a) the Company's total liability in contract, tort (including negligence or breach of statutory duty), misrepresentation or otherwise, arising in connection with the performance or contemplated performance of this Contract shall be limited to 120% of the price of the Goods/Services in respect of which the Customer suffered or incurred such loss or damage; and (b) the Company shall not be liable to the Customer for any loss of profit or other economic loss (direct or indirect), indirect or consequential loss or damage, costs, expenses or other claims for consequential compensation whatsoever (howsoever caused) or loss or damage (contractual, tortious, breach of statutory duty or otherwise) which arise out of or in connection with the Contract, or for any liability incurred by the Customer to any other person for any economic loss, claim for damages or awards howsoever arising from the Goods, Services or otherwise.
10.5		The price of the Goods/Services has been calculated on the basis that the Company will exclude or limit its liability as set out in the Contract and the Customer by placing an order agrees and warrants that the Customer shall insure against or bear itself any loss for which the Company has excluded or limited its liability in the Contract and the Company shall have no further liability to the Customer.
11	Safety	
11.1		The Customer shall comply at all times with the written instructions and all written guidelines issued from time to time attached to the Goods concerning their storage, application, installation, repair, maintenance and use and the Customer shall refer its employees and its customers to such instructions and guidelines. The Customer shall ensure that the Goods are only installed by those persons approved by the Company.
11.2		The Customer should satisfy itself that the persons responsible for the storage, application, installation, use, repair or maintenance of any Goods supplied by the Company have all the information required on health and safety and the Company shall remain liable to the Customer in any civil proceedings brought by the Customer against the Company in respect of a breach of the user instructions or any health and safety regulations, orders or directions made pursuant to the Health & Safety at Work Act Etc. Act 1974 or any other directive regulation order or other instrument relating to health and safety where such exclusion of liability is permitted by law.
11.3		If the Company notifies the Customer in writing of any defect in the Goods previously delivered to the Company or Services previously performed at any time or any error or omission in the instructions for the use and/or assembly or installation of the Goods (whether or not any such defect, error or omission represents a breach of the warranty in Condition 8 or 9 or any other provision of the Contract) which exposes or may expose consumers to any risk of death, injury or damage to property, the Customer shall co-operate fully and promptly with any steps taken by the Company under Condition 11.4 below.
11.4		The Company may at its discretion recall any Goods already sold by the Company to its customers (where for a refund or credit or for replacement of the Goods which shall in each case be undertaken by the Company) and/or issue any written or other notification to its customers about the manner of use or operation of any Goods already sold by the Customer to its customers and/or offer to reperform Services previously quoted.
11.5		The Customer, acknowledging the importance of this Condition 11, agrees that in addition to any other remedy available to the Company to irrevocably and unconditionally indemnify the Company and its employees, servants or agents on full and on demand and keep them indemnified from and against all claims, demands, actions, proceedings and all damages, losses, costs and expenses (including without limitation legal and other professional adviser's fees and all economic loss whether direct or indirect (including without limitation loss of profit, future revenue, reputation or goodwill and anticipated savings) which are made or brought against or incurred or suffered by any of them directly or indirectly and whether wholly or in part result from the Customer's breach of Conditions 11.2, 11.2 and 11.3 whether or not such losses or consequences of such breach were foreseeable at the time of creation of the Contract. This indemnity shall cover all consequential and indirect losses suffered by the Company and its employees, servants or agents and they shall have no duty to mitigate any such loss.
12	Subcontracting, Assignment and Third Party Rights	
12.1		The Customer shall not be entitled to assign, charge, subcontract or transfer the Contract or any part of it without the prior written consent of the Company.
12.2		The Company may assign, charge, subcontract or transfer the Contract or any part of it to any person.
12.3		A person who is not a party to the Contract (including without limitation any employee, officer, agent, representative or sub contractor of either party) shall not have any right to enforce any term of the Contract which expressly or by implication confers a benefit on that person without the express prior agreement in writing of the Company and the Customer.
13	Force Majeure	
		The Company reserves the right to defer the date of delivery or to cancel the Contract or reduce the volume of the Goods or Services ordered by the Customer (without liability to the Customer) if it is prevented from or delayed in the carrying on of its business and its obligations under the Contract due to circumstances beyond the reasonable control of the Company including, without limitation, acts of God, governmental actions, war or national emergency, riot, civil commotion, fire, explosion, flood, epidemic, lock-outs, strikes or other labour disputes (whether or not relating to either party's workforce), or restraints or delays affecting carriers or inability or delay in obtaining supplies of adequate or suitable materials ("Force Majeure") provided that, if the event of Force Majeure continues for a continuous period in excess of 3 months, the Customer shall be entitled to give notice in writing to the Company to terminate the Contract.
14	Breach of Contract or Insolvency	
14.1		If any of the following events occurs: (a) the Customer commits a material breach of any of its obligations under the Contract which is incapable of remedy or fails to remedy a breach, where it is capable of remedy, or persists in any breach of any of its obligations under the Contract after having been requested in writing by the Company to remedy or desist from such breach within a period of 14 days; (b) any distress execution or diligence is levied upon any of the Customer's goods or property and is not paid out within 7 days or it being levied; (c) the Customer (being a partnership) or the Customer's partner offers to make any arrangements with or for the benefit of the creditors of the Customer or the Customer's partner generally or there is presented in relation to the Customer or the Customer's partner a petition of bankruptcy; (d) the Customer (being a limited company) is deemed to be unable to pay its debts within the meaning of Section 123 of the Insolvency Act 1986 or the Customer calls a meeting for the purpose of passing a resolution to wind up its company, or such a resolution is passed or the Customer presents or has presented a petition to wind up or present or have presented a petition to appoint an administrator or have an administrative receiver or receiver appointed to the whole or any part of the Customer's business, undertaking, property or assets; (e) the Customer ceases, or threatens to cease, to carry on business; or (f) the Company reasonably believes that any of the events specified in Condition 14.1 (a) to (e) above is about to occur in relation to the Customer; then the Company may, as it thinks fit, (without prejudice to any other rights or remedies it may have against the Customer) immediately suspend further performance of the Contract or cancel any outstanding provision of the Services or delivery of the Goods or stop any Goods in transit or by notice in writing to the Customer terminate the Contract without liability to the Company.
14.2		Notwithstanding any such termination or suspension in accordance with Conditions 13 or 14.1 above the Customer shall pay the Company at the contract rate for all Goods delivered or Services provided up to and including the date of suspension or termination or termination of any Contract for whatever reason shall not affect the rights or remedies of either party in respect of any antecedent breach or in respect of any such owing or to become owing to the other.
15	Notices	
15.1		All communications between the parties about this Contract must be in writing and delivered by hand or sent by pre-paid first class post or sent by facsimile transmission: (a) (in case of communications to the Company) to its registered office or such other address as shall be notified to the Customer by the Company in accordance with this Condition 15; or (b) (in the case of the communications to the Customer) to the registered office of the addressee (if it is a company) or (in any other case) to any address of the Customer set out in any document which forms part of this Contract or such other address as shall be notified to the Company by the Customer in writing.
15.2		Communications shall be deemed to have been received: (a) if sent by pre-paid first class post, 2 Working Days after posting (exclusive of the day of posting); (b) if delivered by hand, on the day of delivery or if that is not a Working Day, the first Working Day after delivery; (c) if sent by facsimile transmission, at 10.00am on the first Working Day following despatch, subject to being able to show that the notice was sent to the correct telephone number.
15.3		Communications addressed to the Company shall be marked for the attention of the Commercial Manager
16	General	
16.1		Any intellectual property rights (including, without limitation, patents, registered and unregistered designs, trade marks and service marks (registered or not) and copyright) created by the Company in the course of the performance of the Contract or otherwise in the manufacture of the Goods or the provision of the Services shall remain the Company's property. Nothing in the Contract shall be deemed to have given the Customer a licence or any other right to use any of the intellectual property rights of the Company.
16.2		Nothing in the Contract shall create, or be deemed to create a partnership or joint venture or relationship of employer and employee or principal and agent between the parties.
16.3		The rights and remedies of either party in respect of the Contract shall not be diminished, waived or extinguished by the granting of any indulgence, forbearance or extension of time granted by such party to the other nor by any failure of, or delay by the said party in ascertaining or exercising any such rights or remedies. The waiver by either party of any breach of the Contract shall not prevent the subsequent enforcement of that provision and shall not be deemed to be a waiver of any subsequent breach of that or any other provision.
16.4		If at any time anyone or more of the Conditions of the Contract (or any sub-Condition or paragraph or any part of one or more of these Conditions) is held to be or becomes void or otherwise unenforceable for any reason under any applicable law, the same shall be deemed omitted from the Contract and the validity and/or enforceability of the remaining provisions of the Contract shall not in any way be affected or impaired as a result of that omission.
16.5		The Contract sets out the entire agreement and understanding between the Customer and the Company in connection with the sale of the Goods and shall supersede and replace all documentation previously issued by the Company purporting to set out its terms and conditions of sale of the Goods.
16.6		The Contract shall be governed by and be construed in all respects in accordance with English law and the Customer and the Company both hereby irrevocably agree to submit to the exclusive jurisdiction of the English Courts.



As a global innovative systems partner to the mobility industry, Webasto is one of the 100 largest suppliers to the automotive sector worldwide. In development, manufacturing and sales, the company focuses on roof systems on the one hand and on vehicle electrification on the other hand. The product range includes, openable and fixed panoramic roofs, electric high-voltage heaters and batteries, as well as thermo management solutions. Among the customers of Webasto are manufacturers of passenger cars, commercial vehicles, and boats, as well as dealers and end customers. In 2022, the Group generated sales of over 4 billion euros and employed about 16,800 people at more than 50 locations. The headquarters of the company, which was founded in 1901, is located in Stockdorf near Munich (Germany). For more information, please visit [www.webasto-group.com](http://www.webasto-group.com)

Webasto Thermo & Comfort UK Ltd  
 Webasto House  
 White Rose Way  
 Doncaster Carr DN4 5JH  
 UK

Tel : 00 44 (0) 1302 322232

[www.webasto.co.uk](http://www.webasto.co.uk)

