

Webasto UK Product Catalogue

Heater Kits, Accessories & Replacement Parts

Valid from 5th February 2024 – Version 2



General Notes

All deliveries made by us shall be governed exclusively by Webasto Thermo & Comfort UK Ltd - Conditions of Sale of Goods and Provision of Services (copy provided at the end of this document).

This catalogue supersedes and renders invalid any previous editions and is subject to change without prior notice. In the interests of continued development, specifications may change from time to time without prior notice. E & OE. Prices are exclusive of VAT and are ex-works Doncaster.

Important notes pertaining to heaters installed in vehicles for the transport of dangerous goods

When installing the heaters in vehicles for the transport of dangerous goods, the requirements laid down in ADR 2005 (Technical Guidelines relating to the ordinance of transporting hazardous goods on the road) must be fulfilled in addition to those of the StVZO (Regulations authorising the use of vehicles for road traffic).

The heaters Air Top 2000 STC, Air Top Evo 40, Air Top Evo 55, Thermo Pro 90 and Thermo Top Pro 120/150 which are named in the price list are in compliance with the requirements mentioned above, providing the ADR specific notes contained in the installation instructions are observed during installation. In type EX/II and EX/111 vehicles, the heaters may only be installed for heating the driver's cab or the engine.

Please note that vehicle heater kits are only approved for vehicle applications. Webasto Thermo & Comfort UK will not honour any liability caused by fitment of a vehicle heater kit in any non-road vehicle application.

Important note pertaining to heater installations on marine craft

Government regulations that may vary in different regions may exist concerning the mode, installation and design of heaters designed for installation on boats.

Compliance with such regulations is checked and verified by various authorities. Please familiarise yourself with which regulations may apply in the region where you wish to operate your vessel so that you can take these regulations into account when selecting the heater and planning its installation. For the installation and/or routing of fuel lines inside engine compartments, only components meeting the requirements of EN ISO 7840 may be used.

Please also note that when installing into the engine compartment of the vessel, all respective fuel supply components must be fireproof, according to EN ISO 7840.

Heater Fuel Pumps

Please note that the heaters listed below use the DP42 fuel pump only and are not compatible with previous model fuel pumps. The DP42 works at a different frequency, delivers a different amount of fuel and is not voltage sensitive. If changing a heater from an older model to the latest version, the fuel pump **must** be changed at the same time. Failure to do so will cause the heater to run badly and may damage the ECU. The fuel pump wiring plug must also be changed.

Air Top 2000 STC
Thermo Top Evo

Air Top Evo 40/55
Thermo Pro 90

Contents

| | | Page No(s) |
|----------------------------------|--------------------------|------------|
| Heaters & Accessories | | |
| <i>Air Heaters</i> | | |
| Air Top 2000 STC | Heater Kits | 5 |
| | Operating Controls | 6-7 |
| | Combustion Air & Exhaust | 8 |
| | Fuel System | 8 |
| | Mounting | 9 |
| | Ducting System | 9 |
| Air Top EVO 40 | Heater Kits | 10-11 |
| Air Top EVO 55 | Heater Kits | 12-13 |
| | Operating Controls | 14 |
| | Combustion Air & Exhaust | 14 |
| | Mounting | 15 |
| | Fuel System | 15 |
| | Ducting System | 16 |
| Modular Air Heating System | | 17 |
| <i>Water Heaters</i> | | |
| Thermo Top Eco Range | Heater Kits | 18 |
| Thermo Top Evo Range | Heater Kits | 19 |
| | Operating Controls | 20-22 |
| | Combustion Air & Exhaust | 23 |
| | Fuel System | 23 |
| | Mounting | 24 |
| | Water System | 24 |
| | | 25 |
| Thermo Pro 50 Eco | Heater Kit | 26 |
| | Operating Controls | 27 |
| | Combustion Air & Exhaust | 27 |
| | Fuel System | 28 |
| | Water System | 28 |
| | Mounting | 28 |
| Thermo Pro 90 | Heater Kits | 29 |
| | Operating Controls | 30 |
| | Combustion Air & Exhaust | 30 |
| | Fuel System | 30 |
| | Water System | 31 |
| | Mounting | 31 |
| Thermo Top Pro 120/150 | Heaters | 32 |
| | Operating Controls | 32 |
| Valeo Thermo Plus 230/300/350 | Heaters | 33 |
| | Operating Controls | 34 |
| | Combustion Air & Exhaust | 34 |
| | Fuel System | 34 |
| | Water System | 34 |
| Dual Top | Heaters & accessories | 35 |

Contents

| | Page No(s) |
|--|-------------------|
| Vehicle Air Conditioning Systems | 36-45 |
| Vehicle Parking Cooler Cool Top RTE Range | 46 |
| Vehicle Transport Refrigeration Systems | 47 |
| Motorhome/RV Cool Top Trail Range | 48-49 |
| Hepa filter Range | 50 |
| Marine Air Conditioning Systems | 51 |
| Marine Roof Platform Systems | 52 |
| Marine & Motorhome/R.V. Refrigerator/Freezers | 53 |
| Accessories | 54 |
| <i>SmartController & MultiController</i> | 55 |
| <i>Vehicle Climate Controller</i> | 56 |
| <i>Thermo Connect</i> | 57 |
| <i>Marine Programmable 7 Day Timer</i> | 58 |
| <i>Diesel Cooker & Accessories</i> | 59-60 |
| Blower Boxes | |
| Florida 5 | 61 |
| Madeira 4 & Madera 8 | 62 |
| Madeira 4/8 Accessories | 62 |
| HTX Blower Range | 63 |
| HTX Accessories | 64 |
| <i>Thermoduct</i> | 65 |
| <i>Diesel/Electric Water Heater System</i> | 66 |
| <i>Calorifiers and Accessories</i> | 67 |
| <i>Marine Fuel Filter</i> | 68 |
| Replacement Parts | 69 |
| Air Top 2000S Replacement Parts | 70 |
| Air Top 2000 ST/STC Replacement Parts | 71 |
| Air Top 3500 / 5000 Replacement Parts | 72 |
| Air Top 3500 / 5000 ST Replacement Parts | 73 |
| Air Top Evo 3900 / 5500 Replacement Parts | 74 |
| Air Top Evo 40 / 55 Replacement Parts | 75 |
| Thermo Top E/C & Thermo Top Evo Replacement Parts | 76 |
| Thermo Pro 50 Eco /Thermo 50 Replacement Parts | 77 |
| Thermo 90S Replacement Parts | 78 |
| Thermo 90 ST Replacement Parts | 79 |
| Thermo Pro 90 Replacement Parts | 80 |
| DBW2010 Replacement Parts | 81-83 |
| Thermo 230/300/350 Replacement Parts | 84-85 |
| Dual Top Replacement Parts | 86 |
| Diesel Cooker Replacement Parts | 87-88 |
| Webasto Thermo & Comfort UK Limited – Conditions of Sale of Goods and Provision of Services | 89-91 |

Air Heating Systems



- Performance from 2kW up to 9kW (Modular system up to 11KW vehicles)
- Variable application for interior cabin heating
- Low consumption of fuel and power
- User friendly operating controls
- Stepless heating regulator and silent operation



Air Top 2000 STC



Air Top Evo 40 / Air Top Evo 55

Please note that vehicle heater kits are only approved for vehicle applications. Webasto Thermo & Comfort UK will not honour any liability caused by fitment of a vehicle heater kit in any non-road vehicle application.

Air Heating Systems

Air Top 2000 STC 2.0kW Air Heater






| Technical Data (tolerance ±10%) | | | | |
|-------------------------------------|---------------|-------------------|---|-----------------|
| | | | Diesel | Petrol |
| EG-Type Approval code | | | ECE R122 Heating E1 000 216 ECE R10 EMC E1 041085 | |
| Heating Output | Control Range | kW | 0.9 – 2.0 | 1.0 – 2.0 |
| Fuel Consumption | Control Range | l/h | 0.12 – 0.24 | 0.14 – 0.27 |
| Rated Voltage | | V | 12 / 24 | 12 |
| Rated Power Consumption | Control Range | W | 14 – 29 | 14 - 29 |
| Heating Air Flow (against 0.5m/bar) | Maximum | m ³ /h | 93 | 93 |
| Fuel Type | | | Diesel EN 590 / PME DIN EN 14214 / / heating oil EL | Petrol EN 228 |
| Operating temperature range | | °C | -40 to + 40 | -40 to + 40 |
| Dimensions (LxBxH) | | Mm | 311 x 120 x 121 | 311 x 120 x 121 |
| Weight | | Kg | 2.6 | 2.6 |

Vehicle Heater Kits

Please note that vehicle heater kits are only approved for vehicle applications.

Webasto Thermo & Comfort UK will not honour any liability caused by fitment of a vehicle heater kit in any non-road vehicle application.



| Part No | Description | |
|----------|---|---|
| 4111385D | Diesel Air Top 2000 STC Vehicle Universal kit 12v including rotary control, exhaust & fuel "T" piece (does not include ducting – see 4110888A below) |  |
| 4111386B | Diesel Air Top 2000 STC Vehicle Universal kit 24v including rotary control, exhaust & fuel standpipe (does not include ducting – see 4110888A below) |  |
| 4110888B | Universal Vehicle Installation & Ducting kit including hardware to form a one outlet system (to be used in conjunction with 4111385C + 4111386B base heater kits above) | |
| 4114674D | Petrol Air Top 2000 STC Universal kit 12v including rotary control, exhaust & 1m ducting to form one outlet system. Fuel extractor to be added as required. |  |

Air Heating Systems

Air Top 2000 STC 2.0kW Air Heater





Marine Heater Kits

| Part No | Description | |
|----------|--|---|
| 4111181C | Diesel Air Top 2000 STC Marine Universal kit including rotary control 12v* <i>(does not include ducting – see accessories section)</i> |  |
| 4111182C | Diesel Air Top 2000 STC Marine Universal kit including rotary control 24v <i>(does not include ducting – see accessories section)</i> |  |

* Seven day programmable timer upgrade kit available for 12v kits only – please refer to operating control accessories section

R.V./Motorhome Heater Kits

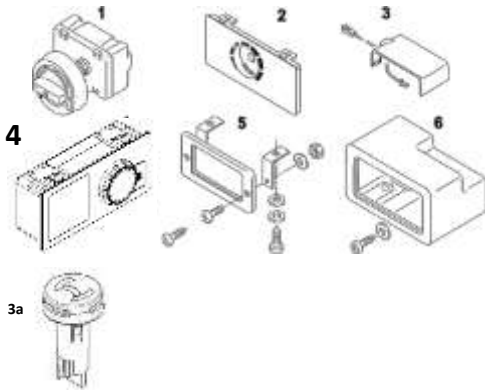
| Part No | Description | |
|----------|---|---|
| 4114762B | Diesel Air Top 2000 STC R.V. Universal RV kit 12v including rotary control, round floor mount plate One Outlet version |  |
| 4114763A | Diesel Air Top 2000 STC R.V. Universal RV kit 12v including rotary control, round floor mount plate Two Outlet version |  |
| 4112565J | Dedicated Kit Air Top 2000 STC Diesel 12v RV UK - VW T5/T6 Euro 5 External Mount – Please Note That This Does Not Contain Any Operating Control | |
| 4117952B | Dedicated Kit Air Top 2000 STC Diesel 12v RV UK - VW T6 Adblue External Mount – Please Note That This Does Not Contain Any Operating Control | |

Other operating devices are available – please refer to operating control accessories section

Air Heating Systems

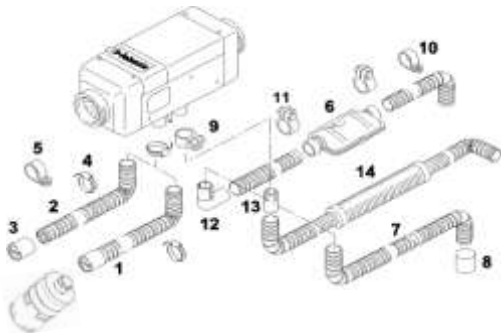
Air Top 2000 Range Air Heaters

Operating Controls



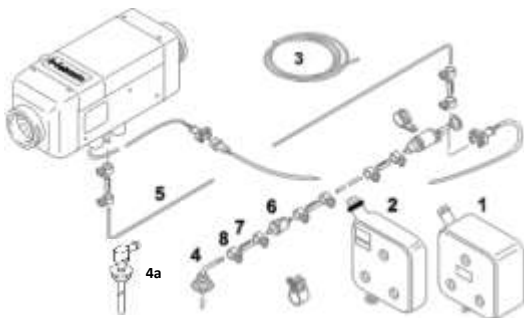
| Item No | Description | Part No. |
|-----------|---|----------|
| 1 | Rotary Rheostat Control | 1322581A |
| 2 | Rheostat Switch Plate | 1319733A |
| 3 | Surface Mount Temp Sensor (AT2 ST) | 1319842A |
| | Button Style Ext Temp Sensor 2.5m Leis | 9030881A |
| | Button Style Ext Temp Sensor 5m Leis c/w plug kit | 9030883A |
| 3a | Button Style Ext Temp Sensor RV 5m | 9037593A |
| 4 | Uni Control W Bus c/w cable 9034555A | 9034520C |
| 4 | Uni Control - 1531 timer Analogue kit | 9034521C |
| Not Shown | Adapter cable – 10 pin to 4 pin (W Bus) | 9034555A |
| | Adapter cable – 10 pin to 12 pin (Analogue) | 9034596A |
| | 3m cable kit for use with 10 pin Adapter | 9034597A |
| | 1531 Analogue Interface Harness | 9008440A |
| 5 | Digital Timer Mounting Kit | 474630 |
| 6 | Digital Timer Housing | 475866 |
| Not Shown | Frost Stat -5 to 15°C | 4111263A |
| | Pulse Relay Kit 12v Harness | 4111364B |
| | 4 Hour Pulse Relay 12v – Other Times available | 4117678A |
| | Smart Controller & Multi Controller | Page 55 |
| | Marine 7 Day Program. Timer kit 12v | Page 58 |
| | Thermo Connect 2 (Operation via smartphone) | Page 57 |

Combustion Air & Exhaust



| Item No | Description | Part No. |
|-----------|--|----------|
| 1 | 22mm Machined c/a pipe – 400mm | 9035684A |
| | Combustion Air Silencer | 9026725A |
| 2 | Combustion Air Hose 22mm | 4116219A |
| 3 | Combustion Air Hose End Cap | 1320109A |
| 4 | Hose Clip 20-27mm (10) price per clip | 9015918A |
| 5 | P Clip 25mm | 405256 |
| 6 | Exhaust Silencer 22mm | 1320895A |
| 7 | Exhaust 22mm (S/Steel per m) | 337390 |
| 8 | Exhaust End Cap (10) price per cap | 1321679A |
| 9 | Exhaust Clamp for 22mm exhaust | 1320103A |
| 10 | P Clip 25mm – SS Exhaust | 405256 |
| 11 | Hose Clamp 26-28mm – used for adapter | 1320220A |
| 12 | Exhaust Elbow 22mm | 1320117A |
| 13 | Exhaust Pipe Adaptor 22-24mm | 1320382A |
| 14 | Exhaust Silencer (Leakproof) | 1322001A |
| Not Shown | Combustion Air Silencer | 98141A |
| Not Shown | Silicone Exhaust Grommet 22mm | 4116126A |
| Not Shown | Exhaust Lagging 30mm (per m) | 4116816A |
| Not Shown | S/Steel Cable Ties (for exhaust lagging) | 4116246A |
| Not Shown | Exhaust Skin Fitting 22mm (45°) | 1319427A |
| | Exhaust Skin Fitting 24mm (Straight) | 1320363A |
| | Exhaust Skin Fitting 24mm (90°) | 1320364A |

Fuel System

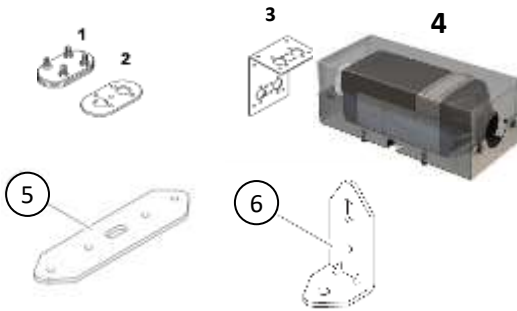


| Item No | Description | Part No. |
|-----------|---|----------|
| 1 | Plastic Fuel Tank 24 litres | 1322531A |
| 2 | Plastic Fuel Tank 12 litres (no fitting kit incl) | 1322707C |
| Not Shown | Fitting kit for 12l fuel tank | 9025761A |
| 3 | Nylon Fuel Hose 2mm/id 5mm od 8m lg | 4116215A |
| 4 | Fuel Tank Standpipe 650mm lg | 1320399A |
| 4a | Fuel Tank Standpipe low prof 495mm lg 8.5mm dia | 4116691A |
| 5 | Nylon Fuel Hose 2mm id 5mm od per m | 483931 |
| 6 | Fuel Filter | 1319466A |
| 7 | Fuel Pipe Connector (Straight) | 484032 |
| 8 | Fuel Hose Clip 10mm | 330027 |
| Not Shown | Fuel Pump Harness 8.5m lg DP2/30 | 4116016A |
| | Fuel Pump Harness 7m DP42 | 9032269A |
| Not Shown | Fuel Pipe Connector 90° Elbow | 1320134A |
| Not Shown | Fuel Cut Off Switch Only (Type v4) | 4118485A |
| | Fuel Cut Off Switch Kit with DP42 Plug & Label | 4114917A |
| Not Shown | Fuel Cut Off Kit (tap type) | 4111812A |
| Not Shown | Fuel T Piece Kit 8mm (Refer to Thermo Top Accessories section for more T Piece options) | 411572 |
| Not Shown | Fuel Filter and stop tap kit | 4110766A |
| Not Shown | Marine fuel hose 5mm ISO7840 (per m) | 4116220A |
| Not Shown | Hose clips stainless steel 8-12mm | 4116582A |
| Not Shown | Marine Fuel Pump Insulation Jacket | 4116793A |
| Not Shown | Fuel Extractor – Fiat Ducato | RMB7654A |

Air Heating Systems

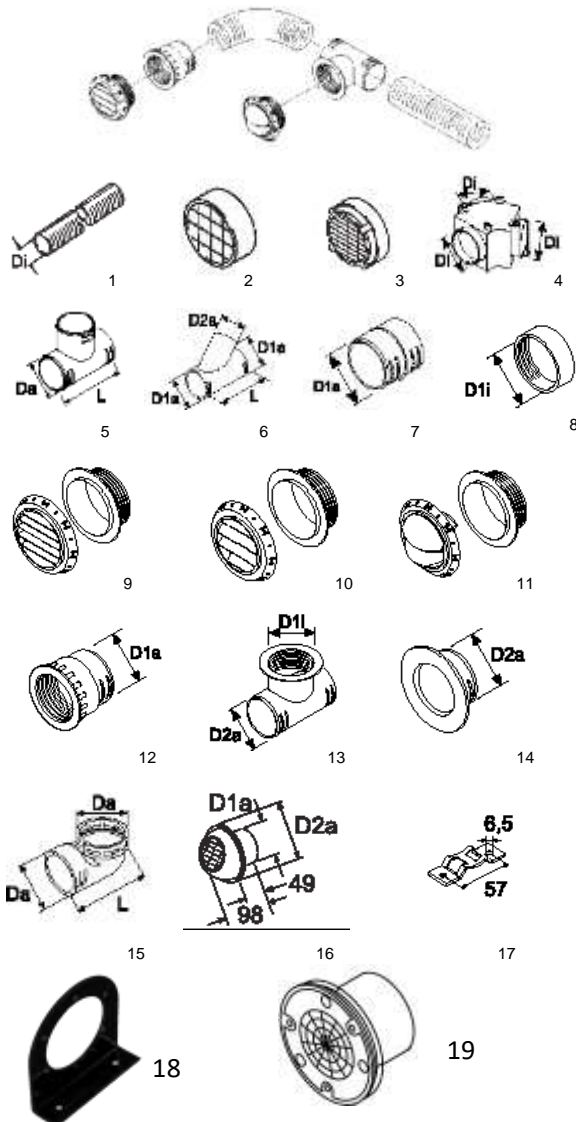
Air Top 2000 Range Air Heaters

Mounting



| Item No | Description | Part No. |
|-----------|---|----------|
| 1 | Floor Flattening Tool | 82229A |
| 2 | Base Mount Gasket | 82227A |
| 3 | Mounting Plate (angled) | 4116353A |
| 4 | Stainless Steel Mounting Box | 4111249A |
| 5 | Mounting Strip (MOQ 10 pcs each) | 9007918A |
| 6 | Angle Bracket (Universal) (MOQ 10 pcs each) | 1320232A |
| Not Shown | Mounting Box – Top Access | 86032A |
| Not Shown | Floor Mount Plate (flat) | 4116178A |
| Not Shown | Floor Mount Plate (round flange – 5") | 4116359A |
| Not Shown | Floor Mount Plate (oblong flange) | 4116179A |
| Not Shown | Floor Mount Plate (65mm collar) | 4111219A |

Ducting System



| Item No | Description | Part No. |
|-----------|---|-----------|
| 1 | Ducting PAK (Di.60mm) - per m | 398497 |
| Not Shown | Flexflyte Ducting 60mm (per m) 4 metre length | 4116193A |
| Not Shown | 60mm Thermoduct—750mm lg | 41570014A |
| 2 | Protective Screen 60mm | 1320173A |
| 3 | Air Inlet Grille 60mm | 1320163A |
| 4 | Flap Valve Y Piece (Di. 60mm) | 1320352A |
| Not Shown | Control Switch & Cable for Flap Valve | 1319868A |
| 5 | T Piece 90° (Da 60mm/L 110) – Black | 1320474A |
| 6 | Assymmetric Y Branch (D1a 60 / D2a 60 / L 145mm) – Black | 1320472A |
| 7 | Connector Pipe (D1a 60mm) – Black | 1320469A |
| 8 | End Cap (D1i 60mm) | 1320477A |
| 9 | Outlet 90° (60mm) - Black | 1320934A |
| 9 | Outlet 90° (60mm) - White | 1320935A |
| 9 | Outlet 90° (60mm) – Grey | 1320936A |
| 10 | Outlet 45° (60mm) - Black | 1320204A |
| 10 | Outlet 45° (60mm) - White | 1320205A |
| 10 | Outlet 45° (60mm) – Grey | 1320933A |
| 11 | Outlet Closeable (60mm) - Black | 1320206A |
| 11 | Outlet Closeable (60mm) - White | 1320207A |
| 11 | Outlet Closeable (60mm) – Grey | 1320937A |
| 12 | Backing Nut (D1a 60mm) – Black | 1320922A |
| 13 | T Piece with Connector (D1i/D2a 60mm) | 1320476A |
| 14 | Wall Pipe/Flange (60mm) – Black | 1320923A |
| 15 | 90° Elbow (Da 60mm / L 133) | 1320124A |
| 16 | Outlet 60mm Ball Type 360° | 1322405A |
| Not Shown | Hose Clamp 50-70mm | 466352 |
| 17 | Ducting Support Bracket (MOQ 10 pcs) price each | 1321044A |
| 18 | 90° 60mm Outlet bracket | 4116172A |
| 19 | Flush Inlet Grille | 1322634A |
| Not Shown | Ducting T Compact 60mm | 62RWA8500 |
| Not Shown | Equal Y Duct Part 60/60/60 | 1320814A |

Air Heating Systems




Air Top Evo 40 4.0kW Air Heater



| Technical Data (tolerance ±10%) | | | | |
|-------------------------------------|------------------------|-------------------|---|--------------------------|
| | | Diesel | | Petrol |
| EG-Type Approval code | EMC Heater | | E1 03 5529 E1 00 0385 | E1 03 5529 E1 00 0385 |
| Heating Output | Control Range / Boost* | kW | 1.5 – 3.5 / 4.0* | 1.7 – 3.5 / 4.0* |
| Fuel Consumption | Control Range / Boost* | l/h | 0.18 – 0.43 / 0.49 | 0.25 – 0.51 / 0.58 |
| Rated Voltage | | V | 12 / 24 | 12 |
| Rated Power Consumption | Control Range / Boost* | W | 15 – 40 / 55 | 15 – 40 / 55 |
| Heating Air Flow (against 0.5m/bar) | Maximum | m ³ /h | 132 / 140 | 132 / 140 |
| Fuel Type | | | Diesel EN 590 / PME DIN EN 14214 / heating oil EL | Petrol EN 228 |
| Operating temperature range | | °C | -40 to +40 | -40 to +40 |
| Dimensions (LxBxH) | | mm | 423 x 148 x 162 | 423 x 148 x 162 |
| Weight | | Kg | 5.9 | 5.9 |

Vehicle Heater Kits

Please note that vehicle heater kits are only approved for vehicle applications. Webasto Thermo & Comfort UK will not honour any liability caused by fitment of a vehicle heater kit in any non-road vehicle application.



| Part No | Description | |
|----------|---|---|
| 4111387B | Diesel Air Top Evo 40 Vehicle Universal kit 12v including rotary control, fuel pump, wiring harnesses, exhaust & fuel "T" piece (does not include ducting – please refer to ducting section) |  |
| 4111388B | Diesel Air Top Evo 40 Vehicle Universal kit 24v including rotary control, fuel pump, wiring harnesses, exhaust & fuel "T" piece (does not include ducting – please refer to ducting section) |  |
| 4111653B | Petrol Air Top Evo 40 Vehicle Universal kit 12v including rotary control, fuel pump, wiring harnesses, exhaust & fuel "T" piece (does not include ducting – please refer to ducting section) 12v version |  |

Air Heating Systems

Air Top Evo 40 4.0kW Air Heater





Marine Heater Kits

| Part No | Description | |
|----------|--|---|
| 4117979A | Diesel Air Top Evo 40 Marine Universal Kit Including Multi Controller 12v <i>(does not include ducting – see accessories section)</i> |  |
| 4110221C | Diesel Air Top Evo 40 Marine Universal Kit including Multi Controller 24v <i>(does not include ducting – see accessories section)</i> |  |

* Seven day programmable timer upgrade kit available for 12v kits only – please refer to operating control accessories section

Motorhome Heater Kits

| Description | |
|--|---|
| Diesel Air Top Evo 40 R.V. Universal kit including standard rotary control 12v version Base Heater Kit: 9029235C |  |
| Diesel Air Top Evo 40 R.V. Universal kit including standard Multi control 12v version Base Heater Kit: 9029236D |  |
| <p><i>N.B. Kit does not include any mounting plate, ducting or accessories – these are available separately – pricing upon application</i> <i>Please add choice of Floor Plate - Round 4116359A or Oblong 4116179A or Chassis Angled Bracket 4116353A</i></p> | |

Other operating devices are available – please refer to operating control accessories section

Air Heating Systems




Air Top Evo 55 5.5kW Air Heater



| Technical Data (tolerance ±10%) | | | | |
|-------------------------------------|------------------------|-------------------|---|--------------------------|
| | | Diesel | | Petrol |
| EG-Type Approval code | EMC Heater | | E1 03 5529 E1 00 0386 | E1 03 5529 E1 00 0386 |
| Heating Output | Control Range / Boost* | kW | 1.5 – 5.0 / 5.5** | 1.7 – 5.0 / 5.5** |
| Fuel Consumption | Control Range / Boost* | l/h | 0.18 – 0.61 / 0.67 | 0.25 – 0.73 / 0.80 |
| Rated Voltage | | V | 12 / 24 | 12 |
| Rated Power Consumption | Control Range / Boost* | W | 15 – 95 / 130 | 15 – 95 / 130 |
| Heating Air Flow (against 0.5m/bar) | Maximum | m ³ /h | 200 / 220 | 200 / 220 |
| Fuel Type | | | Diesel EN 590 / PME DIN EN 14214 / heating oil EL | Petrol EN 228 |
| Operating temperature range | | °C | -40 to +40 | -40 to +40 |
| Dimensions (LxBxH) | | mm | 423 x 148 x 162 | 423 x 148 x 162 |
| Weight | | Kg | 5.9 | 5.9 |

Vehicle Heater Kits

Please note that vehicle heater kits are only approved for vehicle applications. Webasto Thermo & Comfort UK will not honour any liability caused by fitment of a vehicle heater kit in any non-road vehicle application.



| Part No | Description | |
|----------|---|---|
| 4111389B | Diesel Air Top Evo 55 Vehicle Universal kit 12v including rotary control, fuel pump, wiring harnesses, exhaust & fuel "T" piece (does not include ducting – please refer to ducting section) |  |
| 4111390C | Diesel Air Top Evo 55 Vehicle Universal kit 24v including rotary control, fuel pump, wiring harnesses, exhaust & fuel "T" piece (does not include ducting – please refer to ducting section) |  |
| 4111654B | Petrol Air Top Evo 55 Vehicle Universal kit 12v including rotary control, fuel pump, wiring harnesses, exhaust & fuel "T" piece (does not include ducting – please refer to ducting section) |  |

Air Heating Systems

Air Top Evo 55 5.5kW Air Heater





Marine Heater Kits

| Part No | Description | |
|----------|---|---|
| 4118032A | Diesel Air Top Evo 55 Marine Universal kit including Multi Controller 12v <i>(does not include ducting – see accessories section)</i> |  |
| 4117970A | Diesel Air Top Evo 55 Marine Universal kit including Multi Controller 24v <i>(does not include ducting – see accessories section)</i> |  |

* Seven day programmable timer upgrade kit available for 12v kits only – please refer to operating control accessories section

Motorhome Heater Kits

| Description | | |
|--|----------|---|
| Diesel Air Top Evo 55 R.V. Universal kit including standard rotary control 12v version Base Heater Kit: | 9029244C |  |
| Diesel Air Top Evo 55 R.V. Universal kit including standard Multi control 12v version Base Heater Kit: | 9029245D |  |
| <p><i>N.B. Kit does not include any ducting or accessories – these are available separately – pricing upon application</i> Please add choice of Floor Plate Round 4116359A or Oblong 4116179A or Chassis Angled 4116353A</p> | | |

Other operating devices are available – please refer to operating control accessories section

For more information please click here [=](#)

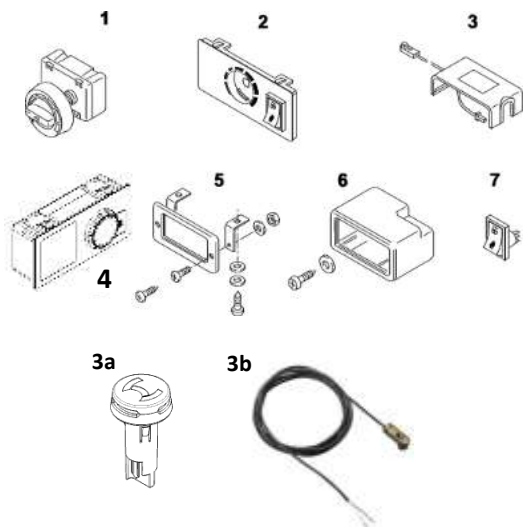
https://www.webasto-comfort.com/fileadmin/webasto_media/webasto-comfort.com/INT/Documents/Recreational-Vehicles-Catalog-2023-24-INT.pdf



Air Heating Systems

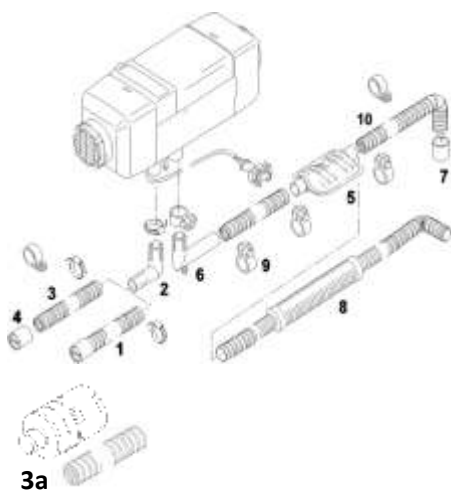
Air Top Evo Range Air Heaters

Operating Controls



| Item No | Description | Part No. |
|---------------------|--|--|
| 1 | Rotary Rheostat Control | 1322581A |
| 2 Not Shown | Switch Plate with Vent Switch Adaptor harness for vent switch | 92240A 1320829A |
| 3 | External Temperature Sensor 5m External Temperature Sensor 20m The above sensor are c/w centre loom cap | 1322459A 92649B |
| 3a | Button Style Ext. Temp Sensor 2.5m (Leisure) | 9030881A |
| 3b | Button Style Ext. Temp Sensor 5m (Leisure) Surface Mount Ext Temp Sensor 2.5m | 9030883A 1319900A |
| 4 4 Not Shown | Uni Control W Bus c/w cable 9034555A Uni Control - 1531 timer Analogue kit Adapter cable – 10 pin to 4 pin (W Bus) Adapter cable – 10 pin to 12 pin (Analogue) 3m cable kit for use with 10 pin Adapter 1531 Analogue Interface Harness | 9034520C 9034521C 9034555A 9034596A 9034597A 9008440A |
| 5 | Digital Timer Mounting Kit | 474630 |
| 6 | Digital Timer Housing | 475866 |
| 7 | Vent Switch | 1320434A |
| Not Shown | Air Top Evo MC 05 Standard 12/24v Controller (other versions available) | 1322822A |
| Not Shown | Frost Stat -5 to 15°C | 4111263A |
| Not Shown | Pulse Relay Kit 12v Harness | 4111364B |
| Not Shown | 4 Hour Pulse Relay | 4111932A |
| Not Shown | Smart Controller & Multi Controller | See Page 55 |
| Not Shown | Marine 7 Day Programmable Timer kit 12v | See Page 58 |
| Not Shown | Heater Control MC 04 12/24v (Marine) | 1322720A |
| Not Shown | Climate Controller | See Page 56 |
| Not Shown | Thermo Connect 2 (operation via smartphone) Note: For Air Top Evo heaters with MC controller only | See Page 57 |

Combustion Air & Exhaust

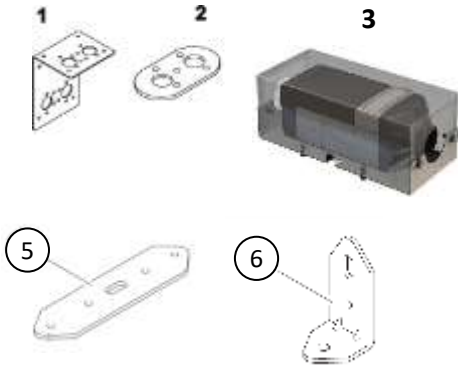


| Item No | Description | Part No. |
|-----------|---|----------------------------------|
| 1 | Air Intake Silencer Pipe (PAK 650mm) | 1319924A |
| 2 | Combustion Air Elbow | 1320278A |
| 3 | Combustion Air Hose 25mm – 5m Length | 1321587A |
| 3a | Combustion Air Intake Silencer Only Flexible Pipe Only – 24.5 i/d 500mm long Combustion Air Intake Silencer Kit | 9027996A 1322684A 9026777A |
| 4 | Combustion Air Hose End Cap – 36mm | 1321067A |
| 5 | Exhaust Silencer | 1320372A |
| 6 | Exhaust Elbow | 1320378A |
| 7 | Exhaust End Cap – 24 i/d – 28 o/d | 4116176A |
| 8 | Exhaust Silencer (leakproof) | 1322001A |
| 9 | Exhaust Clamp – 28mm i/d | 1320220A |
| 10 | Exhaust 24mm i/d (S/Steel per m) | 90394A |
| Not Shown | Hose Clip 20-32mm | 4116238A |
| Not Shown | P Clip 28mm – Stainless Steel | 4116251A |
| Not Shown | Exhaust Lagging 30mm per m | 4116816A |
| Not Shown | S/Steel Cable Ties (for exhaust lagging) | 4116246A |

Air Heating Systems

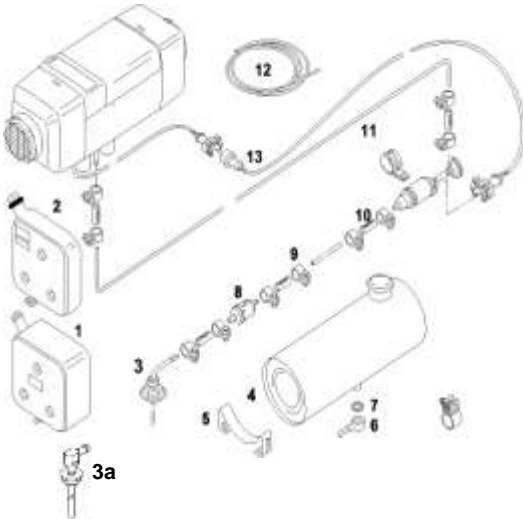
Air Top Evo Range Air Heaters

Mounting



| Item No | Description | Part No. |
|-----------|---|--|
| 1 | Mount Plate (angled) | 4116353A |
| 2 | Base Mount Gasket | 82227A |
| 3 | Stainless Steel Mounting Box | 4111132A |
| 5 | Mounting Strip (MOQ 10 pcs each) | 9007918A |
| 6 | Angle Bracket (Universal) (MOQ 10 pcs each) | 1320232A |
| Not Shown | Floor Mount Plate (flat) Floor Mount Plate (round flange – 5") Floor Mount Plate (oblong flange) Floor Mount Plate (65mm collar) | 4116178A 4116359A 4116179A 4111219A |

Fuel System

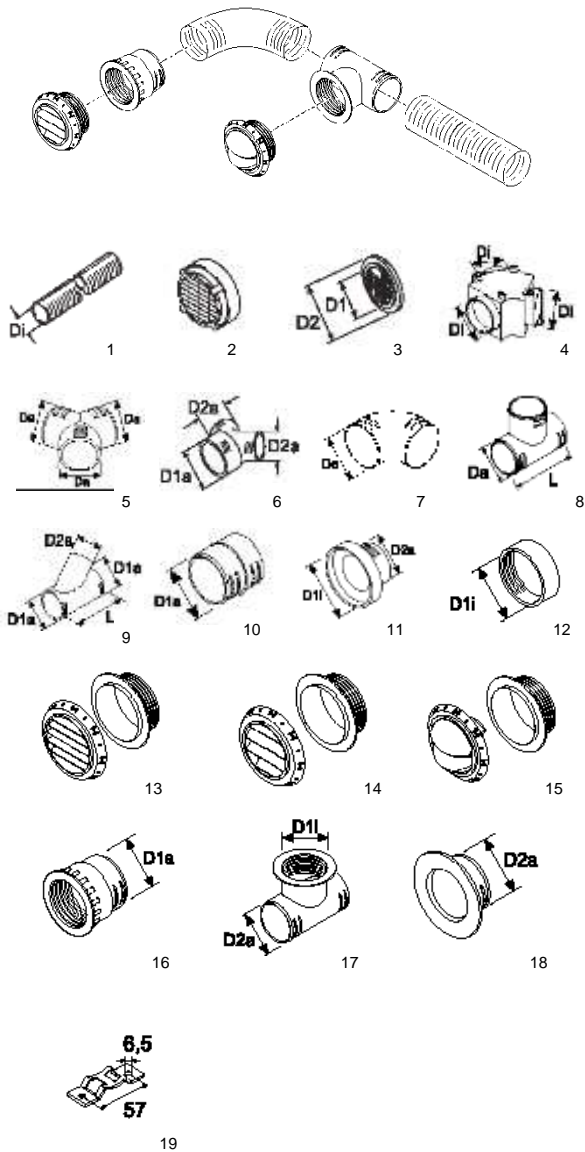


| Item No | Description | Part No. |
|-----------|---|--------------------------|
| 1 | Plastic Fuel Tank 24 litres incl Fitting Kit | 1322531A |
| 2 | Plastic Fuel Tank 12 litres (no fitting kit incl) | 1322707C |
| Not Shown | Fitting kit for 12l fuel tank | 9025761A |
| 3 | Fuel Tank Standpipe 650mm lg | 1320399A |
| 3a | Fuel Tank Standpipe low profile 495mm lg 8.5mm hole | 4116691A |
| 4 | Not available | - |
| 5 | Not available | - |
| 6 | Banjo M12 5mm hosetail | 1319355B |
| 7 | Gasket – Washer DIN 7603 A12x17 | 1319696A |
| 8 | Fuel Filter | 1319466A |
| 9 | Fuel Hose Clip 10mm | 330027 |
| 10 | Fuel Pipe Connector (Straight) | 484032 |
| 11 | Nylon Fuel Hose 2mmid/5mm od per metre | 483931 |
| 12 | Nylon Fuel Hose 2mmi.d./5mm od 8m lg | 4116215A |
| 13 | Fuel Pump Harness 8.5m lg AT39/55 DP2/30 Fuel Pump Harness 7m lg AT40/55 DP42 | 4116016A 9032269A |
| Not Shown | Fuel Pipe Connector 90° | 1320134A |
| Not Shown | Fuel Cut Off Switch Only (Type v4) Fuel Cut Off Switch Kit with DP42 Plug & Label | 4118485A 4114917A |
| Not Shown | Fuel Cut Off Kit (Tap Type) | 4111812A |
| Not Shown | Fuel T Piece Kit 8mm (Refer to Thermo Top Accessories section for more T Piece options) | 411572 |
| Not Shown | Fuel Filter and stop tap kit | 4110766A |
| Not Shown | Marine fuel hose 5mm ISO7840 (per m) | 4116220A |
| Not Shown | Hose clips stainless steel 8-12mm | 4116582A |
| Not Shown | Marine Fuel Pump Insulation Jacket | 4116793A |
| Not Shown | Fuel Extractor Fiat Ducato | RMB7654A |

Air Heating Systems

Air Top Evo Range Air Heaters

Ducting System



For 60mm Ducting Accessories,
please refer to the Air Top 2000 STC Section

| Item No | Description | Part No. |
|-----------|--|----------------------------------|
| 1 | Ducting PAK (Di.80mm) - per m Ducting PAK (Di 90mm) - per m | 398519 90395A |
| Not Shown | Flexflyte Ducting 80mm (per m) Flexflyte Ducting 90mm (per m) | 4116189A 4116195A |
| Not Shown | 80mm Thermoduct—750mm lg (use on 80 or 90mm ducting) | 41S70015A |
| 2 | Air Inlet Grille 90mm | 1310581A |
| 3 | Embellisher Grille 80mm Chrome (D1 80mm / D2 112) Black Metal | 1319308A 4116108A |
| 4 | Flap Valve Y Piece (Di. 90mm) | 1320926A |
| Not Shown | Control Switch & Cable for flap valve | 1319868A |
| 5 | Y Piece (Da 90mm) Black | 1320470A |
| 6 | Y Piece (D1a 80mm/D2a 60mm) Black | 1320471A |
| 7 | Elbow (Da 90mm) – Black | 1320706A |
| 8 | T Piece 90° (Da 90mm/L 140) Black | 1320473A |
| 9 | Assymetric Y Branch (D1a 90 / D2a 60 / L 145mm) Black | 1320707A |
| 10 | Connector Pipe (D1a 90mm) Black | 1319869A |
| 11 | Reducer Black 90-80mm 90-60mm | 1320925A 1320760A |
| 12 | End Cap (D1i 90mm) | 1319870A |
| 13 | Outlet 90° (90mm) Black Outlet 90° (90mm) White Outlet 90° (90mm) Grey | 1320932A 1320711A 1320712A |
| 14 | Outlet 45° (90mm) Black Outlet 45° (90mm) White Outlet 45° (90mm) Grey | 1320709A 1320710A 1320354A |
| 15 | Outlet Closeable (90mm) Black Outlet Closeable (90mm) White Outlet Closeable (90mm) Grey | 1320355A 1320713A 1320714A |
| 16 | Backing Nut (D1a 90mm) Black | 1320468A |
| 17 | T Piece with Connector (D1i 60mm / D2a 90mm) | 1320475A |
| 18 | Wall Pipe (90mm) Black | 1320924A |
| Not Shown | Ducting Silencer 80mm | 1320656A |
| 19 | Ducting Support Bracket (MOQ 10 pcs) price per single item | 1321044A |
| Not Shown | Hose Clip 70-90mm | 139610 |
| Not Shown | Heating Air Silencer 90mm | 1320996A |

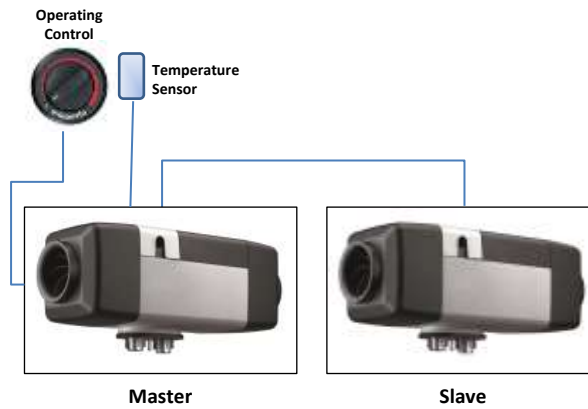
Air Heating Systems

Modular Air Heating System up to 11kW

Build up as a system

Webasto air heaters Air Top Evo 40 and Air Top Evo 55 offer the option to operate up to 2 heaters within one system.

Heater “1” is defined as the “master” heater; the other heater is named “slave” heater. The operating control and external temperature sensor are connected to the “master” heater. The “slave” heater is connected to the wiring harness of the “master” heater. The communication between the various devices happens via a serial bus system. By combining heaters, a system can be individually adapted to a specific application.



- Modular concept – all heating devices are identical
- Easy to install – the system configures itself automatically
- One master heating device controls all slave heating devices
- Only one operating control device
- Only one temperature sensor
- Diagnosis enabled

Please contact our Sales Department for further information & pricing
Please note that vehicle heater kits are only approved for vehicle applications.
Webasto Thermo & Comfort UK will not honour any liability caused by fitment of a vehicle heater kit in any non-road vehicle application.

Water Heating Systems

Comfort, safety and convenience



- Performance from 2kW up to 35kW
- Versatile use for all market segments
- Compact design
- Robust combustion technology and dependable operation
- Broad spectrum of applications

Parking Heater & Engine Pre Heat Upgrade Kits

Kits are available to upgrade direct diesel injection vehicles installed with a Webasto heater as a supplementary boost heater from factory to enjoy the full features and benefits of a parking heater system. For further information and pricing, please contact our Sales Department.



Thermo Top ECO



Thermo Top Evo Range



Thermo Pro 90

Water Heating Systems

Thermo Top Eco 220v AC Water Heater



| Technical Data (tolerance ±10%) | | | | |
|--|-----------------------|-------------------|----------------------------------|---------------|
| | | Thermo Top ECO 20 | | Thermo ECO 30 |
| EG-Type Approval code | ECE R122 | Heating | E1 00 0531 | |
| Heat Output | Partial/Full Load | kW | 2 | 3 |
| Nominal Voltage | | V | 220-230 (50Hz) AC Mains Electric | |
| Nominal Power Consumption without circulation pump | Partial/Full Load | kW | 2 | 3 |
| Operating temperature range | | °C | -40 to +80 | -40 to +80 |
| Dimensions (LxBxH) (exc water pump) | | mm | 181 x 91 x 133 | |
| Weight (exc water pump) | | Kg | 1.4 | |
| U4847 Circulating pump – 12v | | | | |
| Operating voltage range | | 12v | 10.5 - 17 | |
| Rated Power Consumption | | w | 14 | |
| Volume Flow | Against 0.1 bar (l/h) | (l/h) | 900 | |
| Dimensions | (length/diameter) | mm | 109/48.5 | |
| Weight | | Kg | 0.3 | |

Vehicle Heater Kits

Please note that vehicle heater kits are only approved for vehicle applications.

Webasto Thermo & Comfort UK will not honor any liability caused by fitment of a vehicle heater kit in any non-road vehicle application.

| Part No | Description |
|----------|--|
| 1330002A | Thermo Top ECO 20 2kW 220v (No Operating Control) (Contains heater, circulating pump, standard wiring harness with relay and fuses) |
| 1330003A | Thermo Top ECO 30 3kW 220v (No Operating Control) (Contains heater, circulating pump, standard wiring harness with relay and fuses) |
| 1330001A | Standard Installation Kit for Thermo Top ECO (Contains water connection, device holder, connection, fan control,) Note: Dedicated vehicle installation kits (LHD vehicles) are also available – details on request |
| 1325978B | Connecting cable 230V 2.5 m Main supply cable 230V |
| 1325979B | Connecting cable 230V 2.5 m Angled Main supply cable 230V |
| 1325980B | Connecting cable 230V 5.0 m Main supply cable 230V |
| 1325985B | Connecting cable 230V 3.5 m Main supply cable 230V |

NB – All above cables are supplied with a Euro mains plug

Water Heating Systems

Thermo Top Evo 4 4.0kW Water Heater



| Technical Data (tolerance ±10%) | | | | |
|--|---------------------|----------------|--------------------------|-------------------------|
| | | | Thermo Top Evo 4 Diesel | Thermo Top Evo 4 Petrol |
| EG-Type Approval code | ECE R122 ECE R10 | Heating EMC | E1 00 0258 E1 03 5627 | |
| Heat Output | Partial/Full Load | kW | 2.5/4.0 | 2.8/4.0 |
| Fuel Consumption | Partial/Full Load | l/h | 0.31/0.49 | 0.39/0.56 |
| Nominal Voltage | | V | 12 | |
| Nominal Power Consumption without circulation pump | Partial/Full Load | W | 12/21 | 15/21 |
| Fuel | | | Diesel EN590 | Petrol EN228 |
| Operating temperature range | | °C | -40 to +80 | -40 to +60 |
| Dimensions (LxBxH) (exc water pump) | | mm | 218 x 91 x 147 | |
| Weight (exc water pump) | | Kg | 2.1 | |
| U4847 Circulating pump | | | | |
| Volume Flow | | (l/h) | 500 | |
| Dimensions (LxBxH) | | mm | 96 x 75 x 80 | |
| Weight | | Kg | 0.3 | |

Vehicle Heater Kits

Please note that vehicle heater kits are only approved for vehicle applications. Webasto Thermo & Comfort UK will not honor any liability caused by fitment of a vehicle heater kit in any non-road vehicle application.

| Part No | Description |
|----------|--|
| 1314812B | Petrol Thermo Top Evo 4 Petrol 12v (No Operating Control) (Contains heater, circulating pump, standard wiring harness with relay and fuses) |
| 1314816B | Diesel Thermo Top Evo 4 Diesel 12v (No Operating Control) (Contains heater, circulating pump, standard wiring harness with relay and fuses) |
| 1314818D | Standard Installation Kit for Thermo Top Evo (Contains water connection, device holder, connection, fan control, exhaust system with silencer, air intake system with silencer) Note: Dedicated vehicle installation kits (LHD vehicles) are also available – details on request |

Water Heating Systems

Thermo Top Evo 5 Range Water Heaters



| Technical Data (tolerance ±10%) | | | | | | |
|--|---------------------|----------------|--------------------------|-------------------------|--------------------------|--------------------------|
| | | | Thermo Top Evo 5 Diesel | Thermo Top Evo 5 Petrol | Thermo Top Evo 5+ Diesel | Thermo Top Evo 5+ Petrol |
| EG-Type Approval code | ECE R122 ECE R10 | Heating EMC | E1 00 0258 E1 03 5627 | | | |
| Heat Output | Partial/Full Load | kW | 2.5/5.0 | 2.8/5.0 | 2.5/5.0 | 2.8/5.0 |
| Fuel Consumption | Partial/Full Load | l/h | 0.31/0.62 | 0.39/0.70 | 0.31/0.62 | 0.39/0.70 |
| Nominal Voltage | | V | 12 | | | |
| Nominal Power Consumption without circulation pump | Partial/Full Load | W | 12/32 | 15/32 | 12/32 | 15/32 |
| Fuel | | | Diesel EN590 | Petrol EN228 | Diesel EN590 | Petrol EN228 |
| Operating temperature range | | °C | -40 to +80 | -40 to +60 | -40 to +80 | -46 to +60 |
| Dimensions (LxBxH) (exc water pump) | | mm | 218 x 91 x 147 | | | |
| Weight (exc water pump) | | Kg | 2.1 | | | |
| U4847 Circulating pump | | | | | | |
| Volume Flow | | (l/h) | 500 | | | |
| Dimensions (LxBxH) | | mm | 96 x 75 x 80 | | | |
| Weight | | Kg | 0.3 | | | |

Vehicle Heater Kits

Please note that vehicle heater kits are only approved for vehicle applications.

Webasto Thermo & Comfort UK will not honour any liability caused by fitment of a vehicle heater kit in any non-road vehicle application.

| Part No | Description |
|----------|--|
| 1314811B | Thermo Top Evo 5 Petrol 12v (No Operating Device) (Contains heater, circulating pump, standard wiring harness with relay and fuses) |
| 1314815B | Thermo Top Evo 5 Diesel 12v (No Operating Device) (Contains heater, circulating pump, standard wiring harness with relay and fuses) |
| 1314810A | Thermo Top Evo 5+ Petrol 12v (No Operating Device) (Contains heater, circulating pump, standard wiring harness with relay and fuses) |
| 1314814A | Thermo Top Evo 5+ Diesel 12v (No Operating Device) (Contains heater, circulating pump, standard wiring harness with relay and fuses) |
| 1314818D | Standard Installation Kit for Thermo Top Evo (Contains water connection, device holder, connection, fan control, exhaust system with silencer, air intake system with silencer) Note: Dedicated vehicle installation kits (LHD vehicles) are also available – details on request |

Marine Heater Kits

| Part No | Description |
|----------|---|
| 4117864B | Diesel Thermo Top Evo 5 Narrowboat kit with seven day programmable timer & filter kit 12v |
| 4117849B | Diesel Thermo Top Evo 5 Marine kit with multi controller 12v |

Water Heating Systems

Thermo Top Evo 5 Motorcaravan Parking Heater



Motorhome Heater Kits

| Part No | Description |
|----------|---|
| 4117881B | Panel Van/Small Van (Universal Kit) Diesel Thermo Top Evo 5 5.0kW Universal quick heat independent hot water system complete with header tank, plate heat exchanger, mixer valve, one heater blower, dedicated panel switch, associated pipework, fittings etc |

Note: Use one blower box for small van (e.g. VW Transporter size). Use an additional Blower Box for larger sized vehicles (e.g. Fiat Ducato/Renault Master). Refer to blower box section for part numbers and pricing)

Motorhome Parking Heater Kits

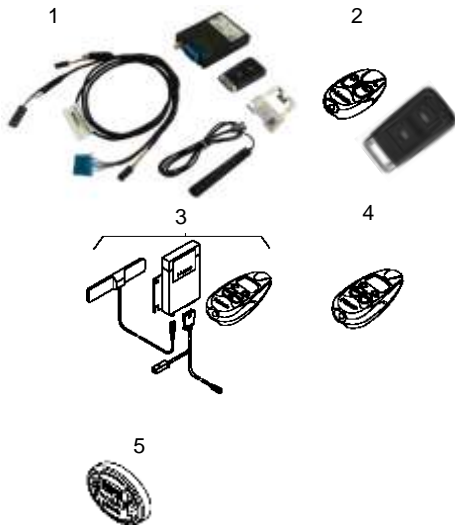
Dedicated parking heater kits are available for a wide range of motorhomes. Please note that these are based on LHD vehicles however can be adapted for RHD installations. Please contact our Sales Department for further information and pricing for your application.

Water Heating Systems

Thermo Top Range Water Heaters

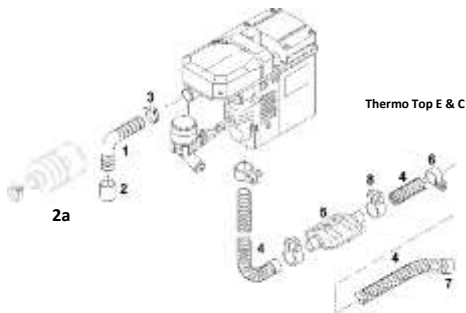
For T99 Remote Control information and downloads please click here - <https://www.webasto.com/en-int/heating/controls/telestart-t99.html>

Operating Controls

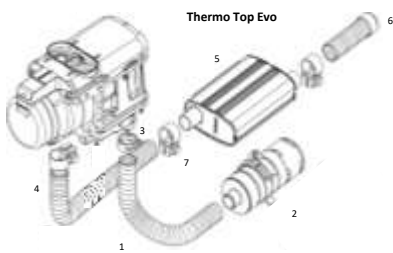


| Item No | Description | Part No. |
|-----------|---|-------------|
| 1 | T99 Complete Kit | 9039217A |
| 2 | T99 Remote Only | 9039224A |
| 2 | T91 Remote Spare Part | 1314636A |
| 3 | HTM T100 Complete Kit | 1314637A |
| 4 | HTM T100 Remote Only | 1314638B |
| Not Shown | Receiver Only T91/HTM 100 | 1314639A |
| Not Shown | Receiver Only T99 | 9039225A |
| 5 | Digital Timer (60 mins) Oval Type | 1322580A |
| Not Shown | 3 Gang Panel Switch | 4116401A |
| Not Shown | Plug kit for 3 gang Panel Switch | 4116507A |
| Not Shown | Frost Stat -5 to +15°C | 4111263A |
| Not Shown | 4 hour Pulse Relay 12v | 4111932A |
| Not shown | Pulse Relay Kit Harness 12v | 4111364B |
| Not Shown | Marine 7 day programmable timer 12v | See Page 58 |
| Not Shown | Thermo Connect 2 (operation via smartphone) | See Page 57 |
| Not Shown | Smart Controller & Multi Controller | See Page 55 |

Combustion Air & Exhaust



| Item No | Description | Part No. |
|-----------|--|----------------------|
| 1 | Combustion Air Pipe 18 mm Combustion Air Pipe 22mm c/w slot | 1320843A 1322421A |
| 2 | C/Air Pipe End Cap 25mm (MOQ 10 pcs) price each | 1320257A |
| 2a | Combustion Air Silencer TTC | 98141A |
| 3 | Hose Clip 20-27mm | 9015918A |
| 4 | Flexible Exhaust 22mm (per m) | 337390 |
| 5 | Exhaust Silencer 22mm | 1320895A |
| 6 | P Clip 25mm | 405256 |
| 7 | Protection End Cap | 1321679A |
| 8 | Exhaust Clamp 24-27mm | 1320815A |
| Not Shown | Exhaust Lagging | 4116816A |
| Not Shown | Cable Ties (S/Steel for Lagging) | 4116246A |
| Not Shown | Exhaust Adaptor 22-24mm | 1320382A |
| Not shown | Exhaust Skin Fitting 24mm (Straight) | 1320363A |
| | Exhaust Skin Fitting 24mm (90°) | 1320364A |
| | Exhaust Skin Fitting 22mm (45°) | 1319427A |

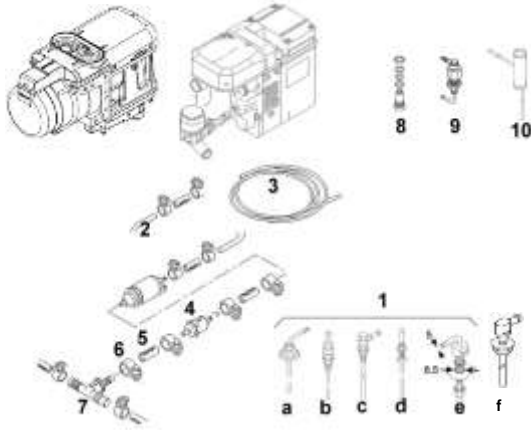


| Item No | Description | Part No. |
|-----------|--------------------------------------|----------|
| 1 | Combustion Air Pipe 22 mm (400mm) | 1323271A |
| 2 | Combustion Air Silencer | 1315744B |
| 3 | Hose Clip 20-27mm | 9015918A |
| 4 | Flexible Exhaust 22mm (per m) | 337390 |
| 5 | Exhaust Silencer 22mm | 1320991A |
| Not Shown | P Clip 25mm | 405256 |
| 6 | Protection End Cap | 1321679A |
| 7 | Exhaust Clamp 24-27mm | 1320815A |
| Not Shown | Exhaust Lagging | 4116816A |
| Not Shown | Cable Ties (S/Steel for Lagging) | 4116246A |
| Not Shown | Exhaust Adaptor 22-24mm | 1320382A |
| Not shown | Exhaust Skin Fitting 24mm (Straight) | 1320363A |
| | Exhaust Skin Fitting 24mm (90°) | 1320364A |
| | Exhaust Skin Fitting 22mm (45°) | 1319427A |

Water Heating Systems

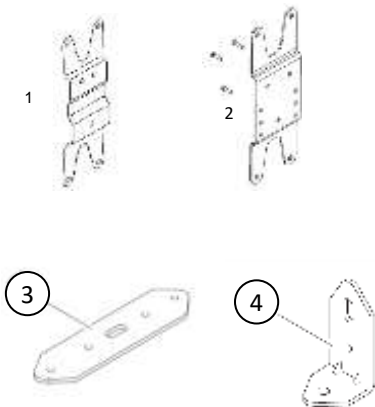
Thermo Top Range Water Heaters

Fuel System



| Item No | Description | Part No. |
|-----------|---|--|
| 1 | a) Fuel Tank Standpipe b) Fuel Sender Type 8mm c) Fuel Sender Type 90° 300mm lg d) Fuel Sender Type 6mm e) Fuel Extractor Low Profile f) Fuel Sender Type Standpipe low profile 495mm lg 8.5mm hole | 1320399A 4116210A 25908B 1322645A 1320457A 4116691A |
| 2 | Nylon Fuel Hose 2mm id 5mm od – per metre | 483931 |
| 3 | Nylon Fuel Hose 2mm i.d. 5mm od 8m length | 4116215A |
| 4 | Fuel Filter | 1319466A |
| 5 | Fuel Pipe Connector (Straight) | 484032 |
| 6 | Fuel Hose Clip 10mm | 330027 |
| 7 | Fuel T Piece(s) 6 x 5 x 6 (J Shape – Metal) 8 x 5 x 8 (J Shape – Metal) 10 x 5 x 10 (J Shape) 6 x 5 x 6 (T shape – Metal) 8 x 5 x 8 (T shape – Metal) 10 x 5 x 10 (T shape – Metal) 12 x 5 x 12 (T shape – Metal) 15 x 6 x 15 (T shape – Metal) 6 x 5 x 6 (T shape – Plastic) 8 x 5 x 8 (T shape – Plastic) 10 x 5 x 10 (T shape – Plastic) 12 x 5 x 12 (T shape – Plastic) | 1319520A 1320574A 1320806A 1320572A 1320573A 1320804A 1320805A 1320577A 1321002A 1320192A 1321003A 1319951A |
| 8 | Tank Extractor 5mm | 107762 |
| 9 | Tank Extractor low profile | 9008021A |
| Not Shown | Fuel Pipe Connector 90° | 1320134A |
| Not Shown | Fuel Filter and stop tap kit | 4110766A |
| Not Shown | Marine fuel hose 5mm ISO7840 (per m) | 4116220A |
| Not Shown | Hose clips stainless steel 8-12mm | 4116582A |
| Not Shown | Marine Fuel Pump Insulation Jacket | 4116793A |

Mounting

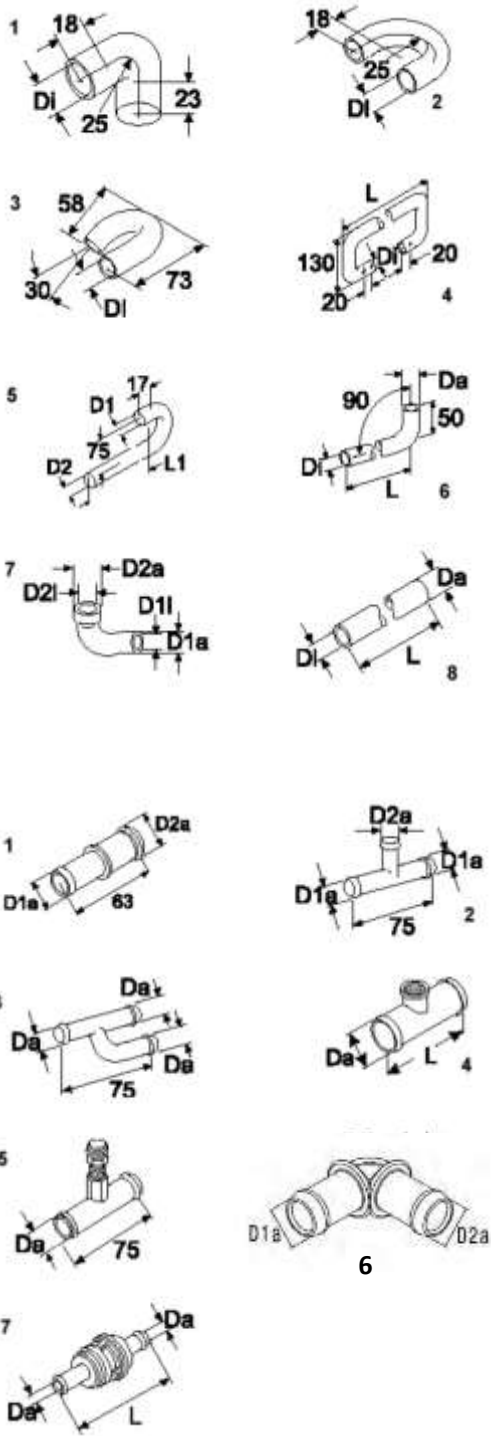


| Item No | Description | Part No. |
|---------|--|----------|
| 1 | Universal Mounting Bracket TTE/C | 1320178A |
| 2 | Universal Mounting Bracket TT Evo | 1320500A |
| 3 | Mounting Strip (MOQ 10 pcs) each | 9007918A |
| 4 | Angle Bracket (Universal) (MOQ 10 pcs) each | 1320232A |

Water Heating Systems

Thermo Top Range Water Heaters

Water System



| Item No | Description | Part No. |
|-----------|---|--|
| 1 | Formed Hose 90° Di18/Da25 | 1319418A |
| 2 | Formed Hose 180° Di 18/Da 25 Di 20/Da 27 | 1319401A 1319623A |
| 3 | Formed Hose Di18/Da25 | 1319419A |
| 4 | Formed Hose Di18/Da25 – 2200mm lg Di18/Da25 – 3000mm lg Di20/Da25 – 2200mm lg Light duty Di20/Da25 – 2200mm lg Heavy duty | 1319455A 1320783A 1319268A 1319631A |
| 5 | Formed Hose Di18/Da25 – 576mm lg | 1319421A |
| 6 | Formed Hose 1020mm lg Di18/Da27 Di22/Da29 | 1320794A 1320842A |
| 7 | Formed Hose D1i15/D1a22; D2i18/D2a25 | 1319402A |
| 8 | Straight Coolant Hose Di15/Da22 – 2400mm lg Di18/Da27 – 2000mm lg | 1320300A 1319379A |
| Not Shown | Coolant Hose (sold as a 10m roll) 16mm-5/8" i.d. 19mm-3/4" i.d. | 4116212A 4116375A |

| Item No | Description | Part No. |
|--|--|--|
| 1 | Connecting Tube: D1a15/D2a18 D1a15/D2a20 D1a18/D2a20 D1a18/D2a22 D1a20/D2a20 D1a20/D2a22 | 9005813B 1321000A 9005819C 1320155A 1320342A 1319594A |
| 2 | T Piece: D1a18/D2a15 D1a18/D2a18 D1a20/D2a15 D1a20/D2a20 | 1320532A 1321001A 1319290A 1319602A |
| 3 | Connection Pipe 18mm | 1319266A |
| 4 | T Piece 4mm Thread for T/Stat Da15 65mm lg Da18 65mm lg | 1319263A 1319519A |
| 5 | In line Bleed Valve Da15 75mm lg Da18 75mm lg Da 20 75mm lg | 1319221A 1319219A 1320989A |
| 6 | Da 18/18 mm - Elbow Da 18/20 mm - Elbow | 1321082A 1322277A |
| 7 | One Way Valve without Junction Da18 90mm lg Da20 100mm lg | 1319250A 1319554A |
| Not Shown | 19-19mm brass hose connector | 4116378A |
| Not Shown | 16-19 Dual T Piece | 41K0020 |
| Not Shown | 5 litre plastic expansion tank kit Vertical 5 litre plastic expansion tank kit Horizontal | 41K5210A 4111451A |
| Other Valves and T Pieces are available upon request | | |

Water Heating Systems

Thermo Pro 50 Eco 5.0kW Water Heater



| Heater Technical Data (tolerance ±10%) | | | |
|---|------------------------------------|------|---|
| | | | Diesel |
| ECE-Approval code | ECE R122 (Heater) ECE R10 (EMC) | | E1 00 0334 E1 03 6271 |
| Heat Output | Partial/Full Load | kW | 2.5 / 5.0 |
| Fuel Consumption | Partial/Full Load | kg/h | 0.3 / 0.6 |
| Rated Voltage | | V | 24 |
| Rated Power Consumption with out circulation pump | Partial/Full Load | W | 16 – 34 |
| Fuel Type | | | Diesel EN590 PME EN 14214 up to 100% / Arctic Diesel / F34 / heating oil (EL) |
| Operating temperature range | | °C | -40 to +80 |
| Dimensions (LxBxH) | | mm | 218 x 91 x 144 |
| Weight | | Kg | 2.1 |

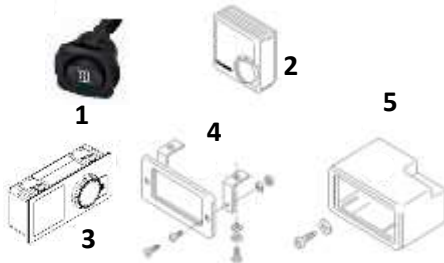
Heater Kits

| Part No | Description |
|----------|--|
| 9026553D | Diesel Thermo Pro 50 Eco Base kit (includes heater, fuel pump & water pump) without operating control 24v |
| 9042558A | Diesel Thermo Pro 50 Eco High Altitude Base kit (2800m Auto Altitude) (includes heater, fuel pump & water pump) without operating control 24v |
| 9026722A | Universal Installation kit for Thermo Pro 50 Eco (includes wiring harness, fuel tank extractor, exhaust, exhaust silencer, air intake silencer, water hoses, water connectors, heater bracket & mounting accessories) |

Water Heating Systems

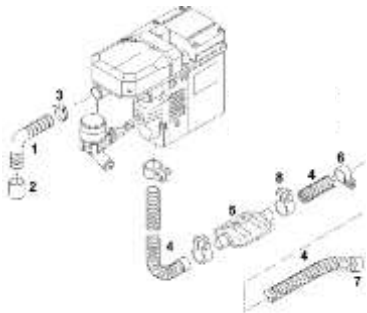
Thermo Pro 50 Eco / Thermo 50 Water Heater

Operating Controls



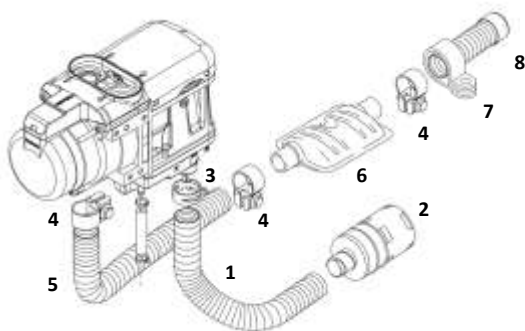
| Item No | Description | Part No. |
|---------|--|--|
| 1 | New style Rocker Switch 12/24v | 9032550A |
| 2 | Room Thermostat Unswitched | 1320587A |
| 3 | Uni Control includes cable 9034555A Uni Control - 1531 timer replacement kit Adapter cable – 10 pin to 4 pin Adapter cable – 10 pin to 12 pin 3m extension kit | 9034520C 9034521C 9034555A 9034596A 9034597A |
| 4 | Timer Mounting Plate | 474630 |
| 5 | Timer Housing | 475866 |

Combustion Air & Exhaust



| Item No | Description | Part No. |
|-----------|--|----------|
| 1 | Combustion Air Pipe 18 mm | 1320843A |
| 2 | Combustion Air Pipe End Cap 25mm (MOQ 10 pcs) each | 1320257A |
| 3 | Hose Clip 20-27mm | 9015918A |
| 4 | Flexible Exhaust 22mm (per m) | 337390 |
| 5 | Exhaust Silencer 22mm – Thermo 50 | 1320895A |
| 6 | P Clip 25mm | 405256 |
| 7 | Protection End Cap | 1321679A |
| 8 | Exhaust Clamp 24-27mm | 1320815A |
| Not Shown | Exhaust Lagging – 30mm | 4116816A |
| Not Shown | Cable Ties (S/Steel for Lagging) | 4116246A |
| Not Shown | Exhaust Adaptor 22-24mm | 1320382A |

Thermo Pro 50 ECO 24v

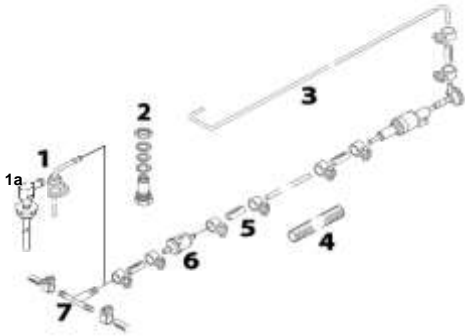


| Item No | Description | Part No. |
|-----------|---|----------|
| 1 | Combustion Air Pipe 22 mm (400mm) | 1323271A |
| 2 | Combustion Air Silencer | 9026725A |
| 3 | Hose Clip 20-27mm | 9015918A |
| 4 | Exhaust Clamp 24-27mm | 1320815A |
| 5 | Flexible Exhaust 22mm (per m) | 337390 |
| 6 | Exhaust Silencer 22mm - Thermo Pro 50 Eco | 1320488A |
| 7 | P Clip 25mm | 405256 |
| 8 | Protection End Cap | 1321679A |
| Not Shown | Exhaust Lagging | 4116816A |
| Not Shown | Cable Ties (S/Steel for Lagging) | 4116246A |
| Not Shown | Exhaust Adaptor 22-24mm | 1320382A |
| Not shown | Exhaust Skin Fitting 24mm (Straight) | 1320363A |
| | Exhaust Skin Fitting 24mm (90°) | 1320364A |
| | Exhaust Skin Fitting 22mm (45°) | 1319427A |

Water Heating Systems

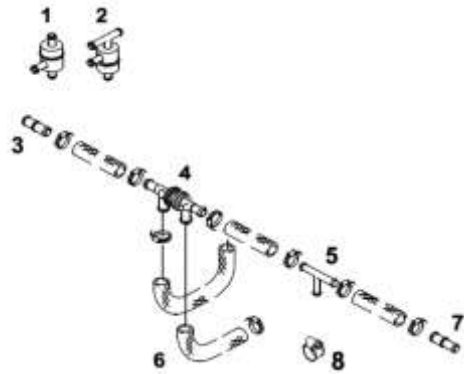
Thermo Pro 50 Eco / Thermo 50 Water Heater

Fuel Supply



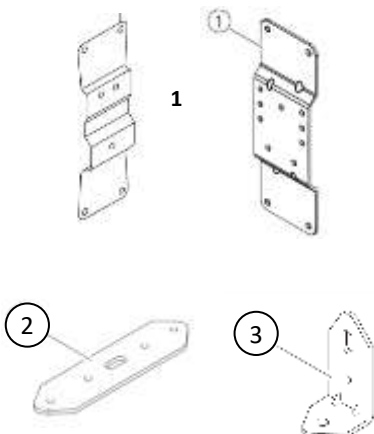
| Item No | Description | Part No. |
|---------|--|----------|
| 1 | Fuel tank standpipe 650mm lg | 1320399A |
| 1a | Fuel tank standpipe low profile 495mm lg 8.5mm hole | 4116691A |
| 2 | Tank Extractor 5mm | 107762 |
| 3 | Nylon fuel hose 2mm i.d. 5mm o.d. per metre | 483931 |
| 4 | Heat protection hose GA-A 14.5 standard length 5m | 1321585B |
| 5 | Fuel hose connector (straight) | 484032 |
| 6 | Fuel Filter | 1319466A |
| 7 | Fuel T Piece (See Thermo Top section for range available) | - |

Water System



| Item No | Description | Part No. |
|-----------|--|----------------------|
| 1 | Water thermostat 20/20/20 | 1320033A |
| 2 | Water thermostat 20/20/20/20 | 1320253A |
| 3 | Connection pipe 20mm | 1320342A |
| 4 | Non return valve 18/18/18/18 Non return valve 20/20/20/20 | 1319486A 1319595A |
| 5 | T Piece 20/20/20 T Piece (with ventilation) 18mm | 1319602A 1319219A |
| 6 | Formed Hose 180° Ends Di20 Da 27 2200 lg | 1319631A |
| 7 | Connection tube 18x20 | 9005819C |
| 8 | Hose Clamp 20-27mm | 9015918A |
| Not Shown | 19-19mm brass hose connector | 4116378A |
| Not Shown | 16-19 Dual T Piece | 41K0020 |
| Not Shown | 15-20 Hose Adaptor (MOQ 10 pcs) price each | 1321000A |
| Not Shown | 5 litre plastic expansion tank kit Vertical | 41K5210A |
| Not Shown | 5 litre plastic expansion tank kit Horizontal | 4111451A |

Mounting



| Item No | Description | Part No. |
|---------|--|----------------------|
| 1 | Mounting Bracket – Thermo 50 Mounting Bracket – Thermo Pro 50 Eco | 1320880A 1321940A |
| 2 | Mounting Strip (MOQ 10 pcs) each | 9007918A |
| 3 | Angle Bracket (Universal) (MOQ 10 pcs) each | 1320232A |

Water Heating Systems

Thermo Pro 90 9.1kW Water Heater



| Technical Data (tolerance ±10%) | | | |
|---------------------------------|------------------------------|------|--|
| | | | Diesel |
| Certification | | | Heater ECE R122 E1 00 0320 EMC ECE R10 E1 03 6196 |
| Heat Performance | Control range/boost mode | kW | 1.8 – 7.6 / 9.1 |
| Fuel Consumption | Control range/boost mode | kg/h | 0.2 – 0.9 / 1.1 |
| Rated Voltage | | V | 12 / 24 |
| Rated Power Consumption | Control range/boost mode | W | 37 – 83 / 90 |
| Fuel Type | | | Diesel EN590 / FAME according to DIN EN 14214 / heating oil (EL) according to DIN 51603-1 / NATO fuels F34, F58 and F63 |
| Operating temperature range | With control unit | °C | -40 to + 125 |
| Dimensions (LxWxH) | ECU to inlet con. Water pump | mm | 382 x 131 x 232 |
| Weight | With water pump | Kg | 5.2 |

Vehicle Heater Kits

Please note that vehicle heater kits are only approved for vehicle applications.

Webasto Thermo & Comfort UK will not honour any liability caused by fitment of a vehicle heater kit in any non-road vehicle application.

| Part No | Description |
|----------|---|
| 9023075C | Diesel Thermo Pro 90 Base Heater with fuel pump without operating control 12v |
| 9024620A | Universal Vehicle Installation Kit 12v for Thermo Pro 90 |
| 9023076C | Diesel Thermo Pro 90 Base Heater with fuel pump without operating control 24v |
| 9024621A | Universal Vehicle Installation Kit 24v for Thermo Pro 90 |

Marine Heater Kits

| Part No | Description |
|----------|--|
| 4111135E | Diesel Thermo Pro 90 Marine heater kit 12v |
| 4111185D | Diesel Thermo Pro 90 Marine heater kit 24v |

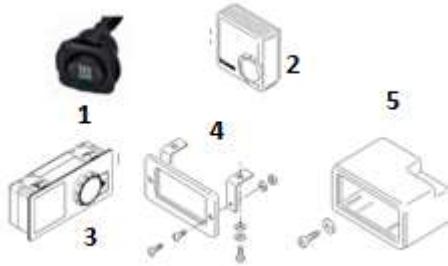
Motorhome Heater Kits

Due to the diverse nature of installation requirements, please contact the Webasto Sales Team for pricing and application to suit your exact needs.

Water Heating Systems

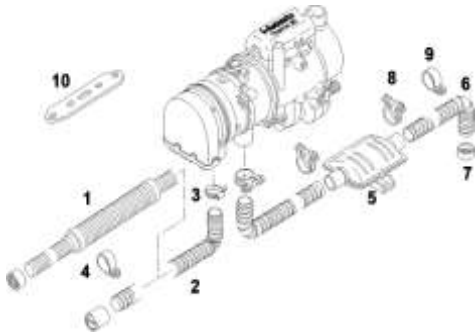
Thermo Pro 90 / ST S Water Heaters

Operating Controls



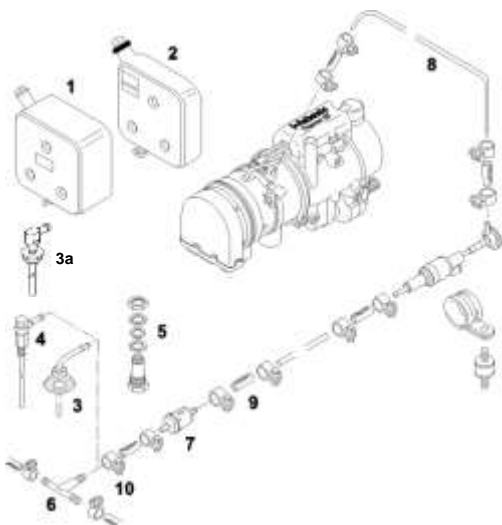
| Item No | Description | Part No. |
|-----------|--|--|
| 1 | New style Rocker Switch 12/24v | 9032550A |
| 2 | Room Thermostat Unswitched | 1320587A |
| 3 | Uni Control includes cable 9034555A Uni Control - 1531 timer replacement kit Adapter cable – 10 pin to 4 pin Adapter cable – 10 pin to 12 pin 3m extension kit | 9034520C 9034521C 9034555A 9034596A 9034597A |
| 4 | Timer Mounting Plate | 474630 |
| 5 | Timer Housing | 475866 |
| Not Shown | Marine 7 day programmable timer 12v | See Page 58 |
| Not Shown | Thermo Connect 2 (operation via smartphone) | See Page 57 |
| Not Shown | Smart Controller & Multi Controller | See Page 55 |

Combustion Air & Exhaust



| Item No | Description | Part No. |
|-----------|--|----------------------|
| 1 | Intake Silencer Pipe | 1320823A |
| 2 | Intake pipe D30 L1160 – Standard version Combustion Air Hose 30mm i/d per metre | 1319607A 1321557A |
| 3 | Hose Clip 20-32mm | 4116238A |
| 4 | P Clip 34mm | 21499A |
| Not Shown | Combustion Air Hose End Cap 30mm | 1320258A |
| 5 | Exhaust Silencer | 1320840A |
| 6 | Exhaust 38mm (S/Steel per m) | 353221 |
| 7 | Exhaust End Cap | 1320108A |
| 8 | Exhaust Clamp 38mm | 1320194A |
| 9 | P Clip 42mm | 1319693A |
| 10 | Mounting Strip (MOQ 10 pcs) each | 9007918A |
| Not Shown | Exhaust Lagging (per m) | 4116207A |
| Not Shown | S/Steel Cable Ties (for exhaust lagging) | 4116246A |
| Not Shown | Exhaust skin fitting 38mm | 1319428A |

Fuel Supply

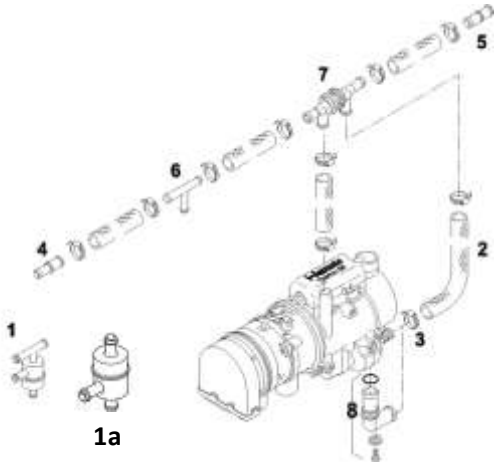


| Item No | Description | Part No. |
|-----------|--|----------|
| 1 | Plastic Fuel Tank 24 litres | 1322531A |
| 2 | Plastic Fuel Tank 12 litres (no fittings) | 1322707C |
| Not Shown | Fitting kit for 12l fuel tank | 9025761A |
| 3 | Fuel Tank Standpipe 650mm lg | 1320399A |
| 3a | Fuel Tank Standpipe low profile 495mm lg 8.5mm hole | 4116691A |
| 4 | Fuel Tank Extractor | 1322632A |
| 5 | Fuel Tank Extractor | 107762 |
| 6 | Fuel T Piece (please refer to Thermo Top accessories) | - |
| 7 | Fuel Filter | 1319466A |
| 8 | Nylon Fuel Hose 2mm id 5mm od per m | 483931 |
| Not Shown | Nylon Fuel Hose 2mm i.d. 5mm od 8m length | 4116215A |
| 9 | Fuel Pipe Connector (Straight) | 484032 |
| 10 | Fuel Hose Clip 10mm | 330027 |
| Not Shown | Fuel Pump Harness T90S/ST 5m | 1320950A |
| Not Shown | Fuel Pump Harness 7m DP42 | 9032269A |
| Not Shown | Fuel Pump Harness ECU Plug | 9024074A |
| Not Shown | DP 42 Fuel Pump Plug kit | 1318966A |
| Not Shown | Fuel Pipe Connector 90° | 1320134A |
| Not Shown | Fuel Cut Off Switch Only (Type v4) | 4118485A |
| Not Shown | Fuel Cut Off Switch Kit with DP42 Plug & Label | 4114917A |
| Not Shown | Fuel Cut Off Kit (Tap Type) | 4111812A |
| Not Shown | Marine Fuel Filter and stop tap kit | 4110766A |
| Not Shown | Marine fuel hose 5mm ISO7840 (per m) | 4116220A |
| Not Shown | Hose clips stainless steel 8-12mm | 4116582A |
| Not Shown | Marine Fuel Pump Insulation Jacket | 4116793A |

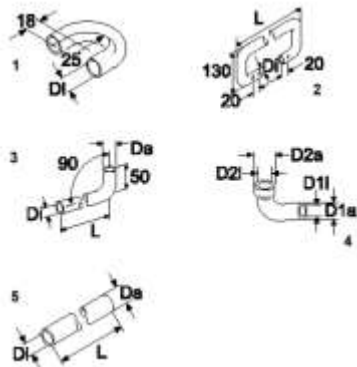
Water Heating Systems

Thermo Pro 90 / ST / S Water Heaters

Water System

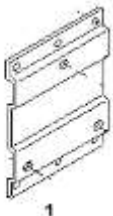


| Item No | Description | Part No. |
|-----------|---|----------------------|
| 1 | Thermostat Valve 59 °C, 20mm | 1320253A |
| 1 | Thermostat Valve 59 °C, 18mm | 1319986A |
| 1a | Thermostat Valve 70 °C, 20mm | 1320033A |
| 2 | Hose 20mm/ 2.2m lg | 1319631A |
| 3 | Hose Clamp 20-27mm - each | 9015918A |
| 4 | Connecting Tube 18 x 20 - each | 9005819C |
| 5 | Connecting Tube 20 x 20 | 1320342A |
| 6 | T Pieces: 20 x 15 x 20mm 20 x 20 x 20mm | 1319290A 1319602A |
| 7 | Check Valve 20mm | 1319595A |
| 8 | Elbow 20mm 90° | 22524B |
| Not Shown | 19-19mm brass hose connector | 4116378A |
| Not Shown | 16-19 Dual T Piece | 41K0020 |
| Not Shown | 15-20 Hose Adaptor - each | 1321000A |
| Not Shown | 5 litre plastic expansion tank kit V | 41K5210A |
| Not Shown | 5 litre plastic expansion tank kit H | 4111451A |



| Item No | Description | Part No. |
|-----------|---|----------------------|
| 1 | Formed Hose 180° Di20 Da27 | 1319623A |
| 2 | Di20/Da25 – 2200mm lg Light duty Di20/Da25 – 2200mm lg Heavy duty | 1319268A 1319631A |
| 3 | Formed Hose Di22 Da 29 1020 lg | 1320842A |
| 4 | Formed Hose D1i 15/D1a22; D2i 18/D2a 25 | 1319402A |
| 5 | Straight Hose Di 15/Da22 2400mm lg | 1320300A |
| Not shown | Coolant Hose (sold as a 10m roll) 16mm-5/8" i.d. 19mm-3/4" i.d. | 4116212A 4116375A |

Mounting



| Item No | Description | Part No. |
|---------|--------------------------|----------|
| 1 | Universal Mounting Plate | 1320505A |

Water Heating Systems



Thermo Top Pro 120 12kW/ 150 15kW Water Heaters

| Technical Data (tolerance $\pm 10\%$) | | | |
|---|-----------------------------|--|--------------------|
| | | Thermo Top Pro 120 | Thermo Top Pro 150 |
| EG-Type Approval code | ECE R 122 ECE R 10 (EMC) | E1 00 480, E1 00 0481 E1 05 7735 | |
| Heat Performance | kW | 12 | 15 |
| Fuel Consumption | kg/h | 1.37 | 1.45 |
| Rated Voltage | V | 12/24 | 12/24 |
| Rated Power Consumption (without water pump) | W | 80 | 100 |
| Fuel Type | | Diesel DIN EN 590, Heating Oil (EL) DIN 51603, B30 DIN E 14212, HVO/GtI DIN EN 15940 | |
| Operating temperature range | °C | -40 to +80 | |
| Dimensions (LxBxH) | mm | 470 x 200 x 200 | |
| Weight | Kg | 11 | |
| Coolant Pump U4850 | | | |
| Volume flow against 0.56 bar | l/hr | 1,500 | |
| Weight | Kg | 0.66 | |
| Dimensions | | 117.8 x 80 | |

Vehicle Heater Kits

| Part No | Description |
|----------|--|
| 9035585A | Thermo Top Pro 120 12v Base Heater and Water Pump (no control) |
| 9035584A | Thermo Top Pro 120 24v Base Heater and Water Pump (no control) |
| 9035583A | Thermo Top Pro 150 12v Base Heater and Water Pump (no control) |
| 9035582A | Thermo Top Pro 150 24v Base Heater and Water Pump (no control) |
| 9035492A | Installation kit 12v (inc wiring harness, exhaust, coolant hose, fuel filter and fittings) |
| 9035160A | Installation kit 24v (inc wiring harness, exhaust, coolant hose, fuel filter and fittings) |

Marine Heater Kits

| Part No | Description |
|----------|--|
| 4117127B | Thermo Top Pro 120 12v Heater Kit inc. Multi |
| 4117128B | Thermo Top Pro 150 12v Heater Kit inc. Multi |
| 4117131B | Thermo Top Pro 120 24v Heater Kit inc. Multi |
| 4117132B | Thermo Top Pro 150 24v Heater Kit inc. Multi |

Operating Controls

| Part No | Description |
|----------|---|
| 9032550A | Rocker Switch On/Off 12/24v |
| 9034521C | UniControl Timer 1531 12/24v with adapter cable |

Water Heating Systems

Valeo

Thermo Plus 230 23kW / Thermo Plus 300 30kW

Thermo Plus 350 35kW Water Heaters



| Technical Data (tolerance ±10%) | | | | | |
|---|---------------|------|--|-----------------|-----------------|
| | | | Thermo Plus 230 | Thermo Plus 300 | Thermo Plus 350 |
| ECE-Type Approval | E1 122R 00 | | 0466 | 0467 | 0468 |
| Heat Performance | Control range | kW | 23 | 30 | 35 |
| Fuel Consumption | Control range | kg/h | 2.5 | 3.0 | 3.6 |
| Rated Voltage | | V | 24 | | |
| Rated Power Consumption (without pump) | Control range | W | 60 | 90 | 120 |
| Fuel Type | | | Diesel DIN EN 590 Bio Diesel (FAME) DIN EN 14214 (max 20%) Paraffinic Diesel Fuel from synthesis or hydro-gena-tion (HV) | | |
| Permitted ambient Operating temperature range | | °C | -40 to + 100 | | |
| Dimensions (LxBxH) | | mm | 540 x 250 x 222 | | |
| Weight | | Kg | 16 | | |

Vehicle Heater

| Part No | Description |
|--------------|---------------------|
| SPH11121358A | Thermo Plus 230 24v |
| SPH11121360A | Thermo Plus 300 24v |
| SPH11121362A | Thermo Plus 350 24v |

The above are heaters only – Please refer to application parts as required.

Water Heating Systems

Valeo

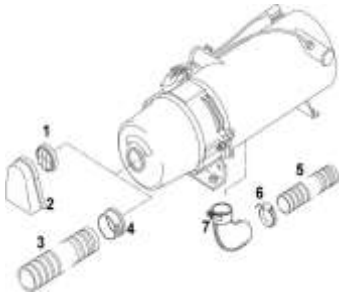
Thermo Plus 230 / Thermo Plus 300 / Thermo Plus 350 Water Heaters

Operating Controls



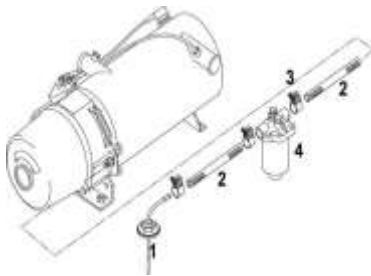
| Item No | Description | Part No. |
|---------|--|--|
| 1 | 2 Position Switch 24v- POA | 2711011A |
| 2 | New style Rocker Switch 12/24v | 9032550A |
| 3 | Timer Mounting Plate | 474630 |
| 4 | Timer Housing | 475866 |
| 5 | Uni Control includes cable 9034555A Uni Control - 1531 timer replacement kit Adapter cable – 10 pin to 4 pin Adapter cable – 10 pin to 12 pin 3m extension kit | 9034520C 9034521C 9034555A 9034596A 9034597A |

Combustion Air & Exhaust



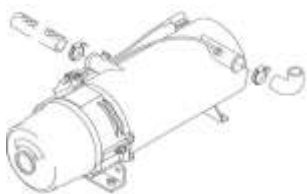
| Item No | Description | Part No. |
|-----------|------------------------------------|----------|
| 1 | Grid | 1320102A |
| 2 | Hose Protection Guard | 9036251A |
| 3 | Flexible Pipe 55mm – per m | 441376 |
| 4 | Connector Pipe 55mm | 1319215A |
| 5 | Flexible Exhaust (S/Steel) 70mm | 479721 |
| 6 | Exhaust Clamp 68-71mm | 4116233A |
| 7 | Exhaust Elbow with spigot 90° 70mm | 1319441B |
| Not Shown | Exhaust Elbow 90° 70mm | 1319439A |
| Not Shown | Exhaust End Cap 70mm | 1319619A |
| Not Shown | Exhaust U Clamp 71mm | 4116266A |

Fuel Supply



| Item No | Description | Part No. |
|-----------|---|----------|
| 1 | Fuel Standpipe – Twin Outlet | 1322830B |
| 2 | Fuel Hose Braided Rubber 5mm i.d. 10mm o.d. 5 metre length | 1321559A |
| 3 | Hose Clip 10mm | 330027 |
| 4 | Fuel Filter (Complete) | 1319291A |
| Not Shown | Fuel Filter Element | 1320031A |
| Not Shown | Fuel Filter Gasket | 1319706A |
| Not Shown | Hose Clip 8mm (price per piece) | 1320244A |
| Not Shown | Hose Clip 12mm | 379670 |
| Not Shown | Fuel Pipe Nylon 6mm id 8mm o.d. | 4116206A |
| Not Shown | Fuel Pipe Connector 8mm id – L = 70mm | 1322451A |
| Not Shown | Fuel Tap with lever ¼ | 4116123A |
| Not Shown | ¼ BSP T Handle Ball Valve | 4116124A |

Water System



| Item No | Description | Part No. |
|--|--------------------------|----------|
| Not Shown | Elbow 38mm 90° | 1320927A |
| Not Shown | Elbow 38mm 90° 130mm leg | 4116200A |
| Not Shown | Elbow 38/35mm 90° | 4116199A |
| Not Shown | Reducer 38-35mm | 4116198A |
| Not Shown | Hose Clip 40-55mm | 139688 |
| Various water valves and connectors are available upon request | | |

Integrated Heating Systems

Dual Top ST Range

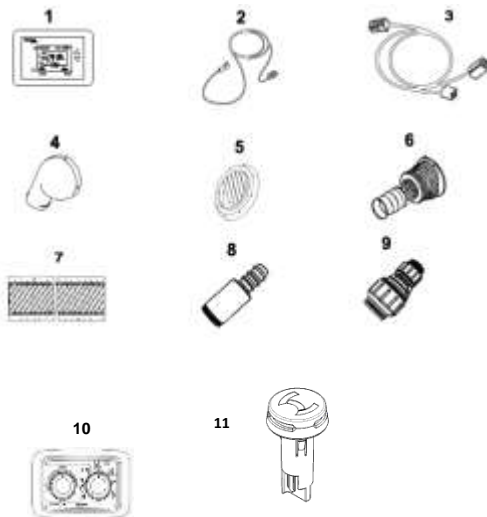


| Technical Data (tolerance ±10%) | | | |
|--|-------------------|-------------------|--|
| | | | Dual Top Evo 6 / Dual Top Evo 8 |
| EG-Type Approval code | Heater EMC | | e1 00 0195 e1 03 5000 |
| Power Output | Diesel Electrical | kW kW | Dual Top Evo 6 - 1.5 – 6.0 Dual Top Evo 8 - 1.0 – 2.0 |
| Fuel Consumption | Control Range | kg/h | 0.1 – 0.6 |
| Rated Voltage | | V | 12 |
| Rated Power Consumption | Control Range | W | 15 – 65 |
| Heating Air Flow (against 0.5m/bar) | | m ³ /h | 200 |
| Fuel Type | | | Diesel EN 590 |
| Operating temperature range | | °C | -30 to +50 |
| Dimensions (LxBxH) | | mm | 530 x 352 x 256 |
| Weight | | Kg | 23 / 24 |
| Boiler capacity | | l | 10 |
| Maximum pressure plumbing water | | Bar | 3.5 |

Heater Kits

The Dual Top Heater production has now ceased and is no longer available. Parts and accessories are still available and for further advice please contact our sales team on 01302381118.

Accessories



| Item No | Description | Part No. |
|-----------|--|----------|
| 1 | Programmable User Interface (PUI) Dual Top Evo ST 6 / 8 | 1320808A |
| 2 | Dosing pump wiring harness extension DP 40/42 1m | 1321781B |
| 2 | Dosing pump wiring harness extension DP 40/42 3m | 1319526A |
| 2 | Dosing pump wiring harness extension DP 40/42 5m | 1321836A |
| 2 | Dosing pump wiring harness extension DP 40 7m | 1319527A |
| 3 | Operating Control Wiring Harness Extension Dual Top Evo ST 6 3m | 9021976A |
| 3 | Operating Control Wiring Harness Extension Dual Top Evo ST 8 3m | 9021975A |
| 4 | Air Intake Cover 60mm | 1314904A |
| 5 | Air Outlet 90mm, 90° black | 1320932A |
| 6 | Air Inlet Bellows Kit | 9018647C |
| 7 | Ducting – refer to ducting accessories section in Air Top 2000ST / Air Top Evo | N/A |
| 8 | 10/10mm Pushfit/flexipipe conn. (MOQ 2 pcs) | 9022380A |
| 9 | 15/10mm Pushfit/Pushfit conn. | 9022381A |
| 10 | Manual User Interface (MUI) Dual Top Evo ST 6 | 1319988A |
| 11 | Button Style Ext. Temp Sensor 3m (Leisure) | 9030882A |
| Not Shown | Panel Frame for MUI | 1315197A |

Vehicle Air Conditioning Systems

The right climate is essential!



Webasto offer an extensive product portfolio of versatile and robust air conditioning solutions for virtually all vehicles within the commercial vehicle sector, including roof-top compact air-conditioning systems, split-systems or integrated evaporator units.

Our fast and cost-effective retro-fitting solutions ensure an optimum climate in the mobile workplace or in the passenger area. An air-conditioned workplace contributes to a better concentration capacity and assists with driver endurance.

Thanks to our experience in the automotive industry, we are able to provide bespoke vehicle air conditioning systems to meet your exact requirements.

Please contact our Sales Department for further information & pricing for your project.





Create Your Own Tap In A/C System

- **A + B + C (12 or 24v) + D or E or F + G**
= Vehicle specific Tap In System

- A= Tap In Adapter
- B= Hose length (8mtr / 12mtr)
- C= Evaporator (12v or 24v)
- D= Direct Mount Grill

Or

- E= Direct Mount Vent

Or

- F = Ducting Module (5mtr / 10mtr / 20mtr)
- G = Electrical Kit

Ensure you have 5 separate modules to create a system

Please contact our Sales Department for further information & pricing for your project.

Vehicle Tap In Air Conditioning Systems



A Tap in Kits

| Part No | Description | Year |
|---------------------|------------------------------------|-----------------|
| 4112513* | VW Transporter T6 | 2016 to present |
| 4112514* | Citroen Relay | 2011 to present |
| 4112514* | Peugeot Boxer | 2011 to present |
| 4112514* | Fiat Ducato | 2011 to present |
| 4112516* | Renault Master FWD | 2014 to present |
| 4112516* | Nissan NV400 FWD | 2014 to present |
| 4114473* | Renault Trafic | 2015 to present |
| 4114473* | Vauxhall Vivaro (Renault Platform) | 2015 to 2020 |
| 4114473* | Nissan NV300 (Renault Platform) | 2015 to present |
| 4114475* | Ford Transit Custom | 2012 to present |
| 4114475* | Ford Transit FWD | 2013 to present |
| 4114475* | Ford Transit RWD | 2013 to present |
| 4114475* | Ford Transit Connect | 2013 to present |
| 4115254* BLOCK ONLY | VW Amarok | 2010 to present |
| 4117855* | Mercedes Sprinter W910 FWD | 2018 to present |
| 4117855* | Mercedes Sprinter W907 RWD | 2018 to present |
| 4118370* | Vauxhall Vivaro (PSA Platform) | 2020 to present |
| 4118370* | Citroen Dispatch | 2018 to present |
| 4118370* | Toyota Proace | 2018 to present |
| 4118370* | Peugeot Expert | 2018 to present |
| 4118535* | VW Crafter 2 | 2018 to present |
| 4118535* | MAN TGE | 2018 to present |
| 4118583* | VW Caddy | 2018 to present |
| 4118584* | Iveco Daily | 2014 to present |
| 4118585* | Vauxhall Combo | 2019 to present |
| 4118585* | Citroen Berlingo | 2019 to present |
| 4118585* | Peugeot Partner | 2019 to present |

Tap in adapters correct at time of publication. Check for validity.

B Tap-In System hose kit

| Part No | Description |
|----------|--|
| 4118528A | KIT Refrigerant Hose 8m Tap In UK BASIC |
| 4118529A | KIT Refrigerant Hose 12m Tap In UK BASIC |

Vehicle Air Conditioning Systems



C Evaporators 12v



| Part No | Description |
|----------|---|
| 4115201* | Oakland (A/C) (Black) (R134a) |
| 4118468* | Baltimore (HVAC) (Black) (R134a) |
| 4118470* | Montreal (A/C) (Grey) (R134a) |
| 4118527* | Quebec (HVAC) (Grey) (without heater control) (R134a) |
| 4118526* | Quebec (HVAC) (Grey) (with heater control) (R134a) |
| 4118362* | Glasgow (A/C) (Black) (R134a) |
| 4118491* | Oslo (HVAC) (Black) (R134a) |
| 4113985* | Marbella (A/C) (Black) (R134a) |
| 4118523* | Ibiza (HVAC) (Black) (R134a) |
| 4112489* | Vancouver (A/C) (Black) (R134a) |
| 4118108* | London (HVAC) (Black) (R134a) |
| 4112490* | Moscow (A/C) (Black) (R134a) |
| 4118490* | Kiev (HVAC) (Black) (R134a) |
| 4118469* | Minsk (A/C) (White) (ROOF MOUNT) |
| 4118560* | Vancouver (A/C) (Black) (R1234yf) |
| 4118561* | London (HVAC) (Black) (R1234yf) |
| 4118562* | Glasgow (A/C) (Black) (R1234yf) |
| 4118563* | Oslo (HVAC) (Black) (R1234yf) |
| 4118700* | Montreal (A/C) (Grey) (R1234yf) |

Baltimore / Oakland



Glasgow / Oslo



Montreal / Quebec



Marbella



Ibiza



London



Vancouver



Moscow / Kiev



Minsk



Vehicle Air Conditioning Systems



C Evaporators 24v



| Part No | Description |
|----------|---|
| 4118474* | Oakland (A/C) (Black) (R134a) |
| 4118471* | Baltimore (HVAC) (Black) (R134a) |
| 4118472* | Montreal (A/C) (Grey) (R134a) |
| 4118534* | Quebec (HVAC) (Grey) (without heater control) (R134a) |
| 4112963* | Quebec (HVAC) (Grey) (with heater control) (R134a) |
| 4118492* | Glasgow (A/C) (Black) (R134a) |
| 4118496* | Oslo (HVAC) (Black) (R134a) |
| 4118525* | Marbella (A/C) (Black) (R134a) |
| 4118524* | Ibiza (HVAC) (Black) (R134a) |
| 4115142* | Vancouver (A/C) (Black) (R134a) |
| 4112964* | London (HVAC) (Black) (R134a) |
| 4118473* | Moscow (A/C) (Black) (R134a) |
| 4118493* | Kiev (HVAC) (Black) (R134a) |
| 4118495* | Minsk (A/C) (White) (ROOF MOUNT) |

Baltimore / Oakland



Glasgow / Oslo



Montreal / Quebec



Marbella



Ibiza



London



Vancouver



Moscow / Kiev



Minsk



Vehicle Air Conditioning Systems



D Direct Mount Hood – Single Grill

| Part No | Description |
|--------------|--|
| 62U003AA018A | Oakland (A/C) (Black) (R134a) |
| 62U003AA018A | Baltimore (HVAC) (Black) (R134a) |
| N/A | Montreal (A/C) (Grey) (R134a) |
| N/A | Quebec (HVAC) (Grey) (without heater control) (R134a) |
| N/A | Quebec (HVAC) (Grey) (with heater control) (R134a) |
| 62U003AA021A | Glasgow (A/C) (Black) (R134a) |
| 62U003AA021A | Oslo (HVAC) (Black) (R134a) |
| N/A | Marbella (A/C) (Black) (R134a) |
| N/A | Ibiza (HVAC) (Black) (R134a) |
| 62U003AA021A | Vancouver (A/C) (Black) (R134a) |
| 62U003AA021A | London (HVAC) (Black) (R134a) |
| N/A | Moscow (A/C) (Black) (R134a) |
| N/A | Kiev (HVAC) (Black) (R134a) |
| 62U003AA021A | Vancouver (A/C) (Black) (R1234yf) |
| 62U003AA021A | London (HVAC) (Black) (R1234yf) |
| 62U003AA021A | Glasgow (A/C) (Black) (R1234yf) |
| 62U003AA021A | Oslo (HVAC) (Black) (R1234yf) |

Oakland / Baltimore



Glasgow / Oslo /
London / Vancouver



Vehicle Air Conditioning Systems



E Direct Mount Hood – Vents

| Part No | Description |
|--------------|--|
| 62U003AA017A | Oakland (A/C) (Black) (R134a) |
| 62U003AA017A | Baltimore (HVAC) (Black) (R134a) |
| 62U003AA055A | Montreal (A/C) (Grey) (R134a) |
| 62U003AA055A | Quebec (HVAC) (Grey) (without heater control) (R134a) |
| 62U003AA055A | Quebec (HVAC) (Grey) (with heater control) (R134a) |
| 62U003AA020B | Glasgow (A/C) (Black) (R134a) |
| 62U003AA020B | Oslo (HVAC) (Black) (R134a) |
| N/A | Marbella (A/C) (Black) (R134a) |
| N/A | Ibiza (HVAC) (Black) (R134a) |
| 62U003AA020B | Vancouver (A/C) (Black) (R134a) |
| 62U003AA020B | London (HVAC) (Black) (R134a) |
| 62U003AA025A | Moscow (A/C) (Black) (R134a) |
| 62U003AA025A | Kiev (HVAC) (Black) (R134a) |
| 62U003AA020B | Vancouver (A/C) (Black) (R1234yf) |
| 62U003AA020B | London (HVAC) (Black) (R1234yf) |
| 62U003AA020B | Glasgow (A/C) (Black) (R1234yf) |
| 62U003AA020B | Oslo (HVAC) (Black) (R1234yf) |

Oakland / Baltimore



Montreal / Quebec



Vancouver / London
Glasgow / Oslo /



Moscow / Kiev



Vehicle Air Conditioning Systems



F Direct Mount Hood – Ducting Module 5m

| Part No | Description |
|--|---|
| 4117124* | Oakland (A/C) (Black) (R134a) |
| 4117124* | Baltimore (HVAC) (Black) (R134a) |
| 4118465* | Montreal (A/C) (Grey) (R134a) |
| 4118465* | Quebec (HVAC) (Grey) (without heater control) (R134a) |
| 4118465* | Quebec (HVAC) (Grey) (with heater control) (R134a) |
| 4112505* | Glasgow (A/C) (Black) (R134a) |
| 4112505* | Oslo (HVAC) (Black) (R134a) |
| 4113987* | Marbella (A/C) (Black) (R134a) |
| 4113987* | Ibiza (HVAC) (Black) (R134a) |
| 4112505* | Vancouver (A/C) (Black) (R134a) |
| 4112505* | London (HVAC) (Black) (R134a) |
| 4112502* | Moscow (A/C) (Black) (R134a) |
| 4112502* | Kiev (HVAC) (Black) (R134a) |
| Air Distribution Plate - See Catalogue | Minsk (A/C) (White) (ROOF MOUNT) |
| 4112505* | Vancouver (A/C) (Black) (R1234yf) |
| 4112505* | London (HVAC) (Black) (R1234yf) |
| 4112505* | Glasgow (A/C) (Black) (R1234yf) |
| 4112505* | Oslo (HVAC) (Black) (R1234yf) |

Direct Mount Hood – Ducting Module 10m

| Part No | Description |
|--|---|
| N/A | Oakland (A/C) (Black) (R134a) |
| N/A | Baltimore (HVAC) (Black) (R134a) |
| 4118467* | Montreal (A/C) (Grey) (R134a) |
| 4118467* | Quebec (HVAC) (Grey) (without heater control) (R134a) |
| 4118467* | Quebec (HVAC) (Grey) (with heater control) (R134a) |
| 4112504* | Glasgow (A/C) (Black) (R134a) |
| 4112504* | Oslo (HVAC) (Black) (R134a) |
| 4118466* | Marbella (A/C) (Black) (R134a) |
| 4118466* | Ibiza (HVAC) (Black) (R134a) |
| 4112504* | Vancouver (A/C) (Black) (R134a) |
| 4112504* | London (HVAC) (Black) (R134a) |
| 4112501* | Moscow (A/C) (Black) (R134a) |
| 4112501* | Kiev (HVAC) (Black) (R134a) |
| Air Distribution Plate - See Catalogue | Minsk (A/C) (White) (ROOF MOUNT) |
| 4112504* | Vancouver (A/C) (Black) (R1234yf) |
| 4112504* | London (HVAC) (Black) (R1234yf) |
| 4112504* | Glasgow (A/C) (Black) (R1234yf) |
| 4112504* | Oslo (HVAC) (Black) (R1234yf) |

Vehicle Air Conditioning Systems



F Direct Mount Hood – Ducting Module 20m

| Part No | Description |
|--|---|
| N/A | Oakland (A/C) (Black) (R134a) |
| N/A | Baltimore (HVAC) (Black) (R134a) |
| N/A | Montreal (A/C) (Grey) (R134a) |
| N/A | Quebec (HVAC) (Grey) (without heater control) (R134a) |
| N/A | Quebec (HVAC) (Grey) (with heater control) (R134a) |
| 4112503* | Glasgow (A/C) (Black) (R134a) |
| 4112503* | Oslo (HVAC) (Black) (R134a) |
| N/A | Marbella (A/C) (Black) (R134a) |
| N/A | Ibiza (HVAC) (Black) (R134a) |
| 4112503* | Vancouver (A/C) (Black) (R134a) |
| 4112503* | London (HVAC) (Black) (R134a) |
| 4112500* | Moscow (A/C) (Black) (R134a) |
| 4112500* | Kiev (HVAC) (Black) (R134a) |
| Air Distribution Plate - See Catalogue | Minsk (A/C) (White) (ROOF MOUNT) |
| 4112503* | Vancouver (A/C) (Black) (R1234yf) |
| 4112503* | London (HVAC) (Black) (R1234yf) |
| 4112503* | Glasgow (A/C) (Black) (R1234yf) |
| 4112503* | Oslo (HVAC) (Black) (R1234yf) |



Vehicle Air Conditioning Systems



G Electrical Kits 12v

| Part No | Description |
|--------------------------------|--|
| 4118363* | 3 Speed Remote Switch 12v |
| 4118666* & 4118611* | Tap-In 'Pharma' / Dog Van A/C ONLY 12v |
| 4118666* & 4118611* & 4118668* | Tap-In 'Pharma' / Dog Van Climate including TT EVO 12v |
| 4112508* | Tap In climate – AT2000 STC 12v – Air Top kit not included |
| 4112509* | Tap In climate – EVO 40 / 55 12v - Air Top kit not included |
| 4118699* | Tap In Wet Climate (coolant heating) 12v – Heater kit not included |

Electrical Kits 24v – Contact sales for application



3 speed switch



Tap-in Pharma

NB: Various consumables and fixings maybe required to complete an application. These are the responsibility of the installer. TT EVO 12v needs a header tank to be added.

Also note the following points regarding Tap in A/C systems

- The kits advised are based on a vehicle with a factory fitted air con with **R134a** refrigerant. If the base vehicle is supplied with **R1234yf** (new refrigerant) you will need to review kit content, costings and installation requirements.
- The vehicle convertor/installer is responsible for ensuring that any modification works to vehicles, meets the relevant vehicle manufacturer guidelines and is compliant with all industry, application and safety regulations and standards.
- Webasto UK warranty is limited to the materials supplied within its scope and does not include any OEM installed components, whether these are utilized as part of an extended A/C system by request of the end user, vehicle convertor or not

Please contact our Sales Department for further information & pricing for your project.

Electric Parking Cooler Cool Top RTE Range

Comfort and efficiency!



RTE23



Condenser with double brushless fans with low power consumption, low noise and long service life.

Electronic system controller to provide stable performance.



Different colors available.

Very high cooling capacity compared to competitors products on the market. Suitable for a wide range of vehicles, compatible with the original vehicle interiors (extra cost).

- Parking cooling without engine operation
- Energy-efficient operation
- Optimum air distribution and quiet operation
- Low voltage cut-off facility ensures the engine will start
- Specific dedicated truck fitting kits are also available - contact for further details

| Technical Data (tolerance ±10%) | | Cool Top RTE 16 | Cool Top RTE 23 |
|---|-------------------|---|---|
| Nominal Cooling capacity | W | 1600 | 900-2500 |
| Refrigerant | | R134a | R134a |
| Nominal voltage | V | 24 | 24 |
| Max power consumption at 24v | A | 23 | 17.5-51 |
| Max operating temperature | | +45°C ambient temperature | +45°C ambient temperature |
| Max evaporator blowing volume | m ³ /h | 650 | 150-420 |
| Dimensions | mm | Condenser : 645 x 920 x 140 Evaporator : 387 x 349 x 165 | Condenser : 990 x 734 x 163 Evaporator : 350 x 355 x 138 |
| Installation Height (depending on cabin type) | mm | 142 | 163 |
| Weight | Kg | 23.4 | 28 |

| Part No | Description |
|----------------|---|
| IND-CTRTE1600 | Cool Top RTE 16 Unit with Remote Control |
| IND-2-6-1122-2 | Universal Installation Kit – Cool Top RTE 16 |
| | Specific vehicle installation kits available. |

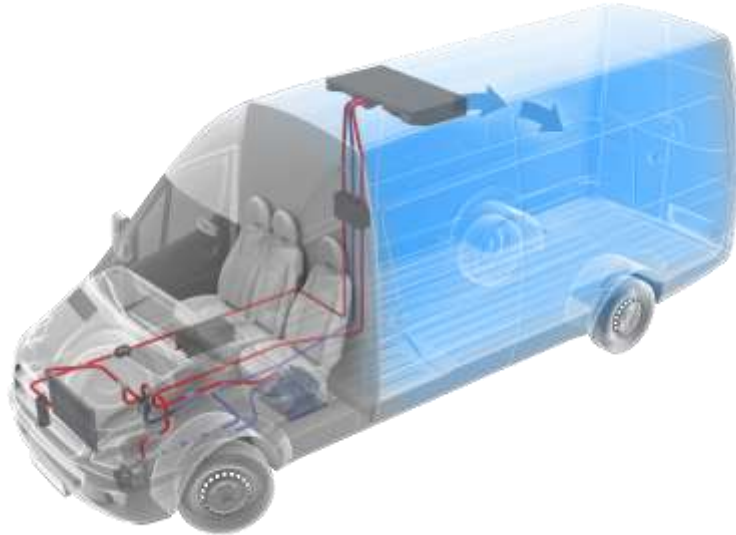


| Part No | Description |
|----------|---------------------------------------|
| 4810134A | Parking cooler white-Cool Top 23 RT-E |

Please contact our Sales Department for further information & pricing for your project.

Transport Refrigeration

High performance – compact solutions!



Our transport refrigeration systems ensure that cargo areas are at an optimal temperature in a reliable, efficient manner. The Webasto range of tailor-made air-conditioning solutions is perfectly adapted to your vehicle and generate a constant level of cooling which is distributed evenly.

Automatic temperature controls ensure that perishable goods are transported at the right temperature and at the correct level of humidity. Due to its modular construction as well as a wide range of accessories, it is possible to construct a tailor-made transport refrigeration solution in accordance with your wishes.

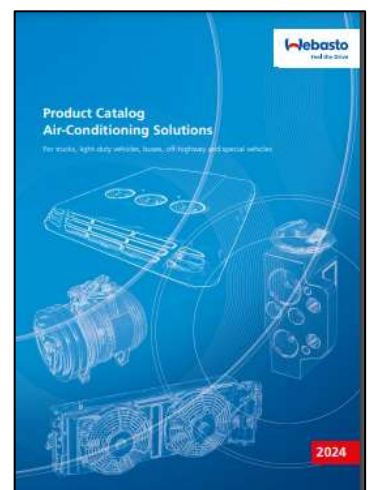
Please contact our Sales Department for further information & pricing for your project

For more information please click here -

<https://www.webasto.com/en-int/cooling/transport-refrigeration.html>

For catalogue download click here -

https://www.webasto.com/content/dam/global-brand/marketing/catalogs/Webasto_Cooling_Solutions_Product_Catalog_2023-2024_EN.pdf.coredownload.inline.pdf



Cool Top Trail Range - RV

Ideal Climate!



- Powerful units with high cooling and heating capacity
- Robust, Lightweight and Low Noise
- Wide Operating Range from -5 to + 50°C
- Low profile and compact design
- Easy installation
- Comfortable temperature adjustment via remote control

| Technical Data (tolerance ±10%) | | Cool Top Trail 20 | Cool Top Trail 24 | Cool Top Trail 28 | Cool Top Trail 34 |
|--|----------|-------------------|-------------------|-------------------|-------------------|
| Cooling capacity | W | 2000 | 2400 | 2800 | 3400 |
| Heating capacity | W | 2000 | 2400 | 2600 | 3000 |
| Nominal voltage/frequency | V/ Hz | 230/50 | 230/50 | 230/50 | 230/50 |
| Rated Current (cooling mode) | A | 3.0 | 4.2 | 5.0 | 5.8 |
| Rated Current (heating mode) | | 2.6 | 3.8 | 4.8 | 5.4 |
| Operating temperature range | °C | -5 to 50 | -5 to 50 | -5 to 50 | -5 to 50 |
| Roof Thickness | m m | 25 to 85 | 25 to 85 | 25 to 70 | 25 to 70 |
| Roof cut out | m | 400 x 400 | 400 x 400 | 400 x 400 | 400 x 400 |
| Roof cut out (with optional adaptor frame) | m | 360 x 360 | 360 x 360 | 360 x 360 | 360 x 360 |
| Dimensions External Unit LxWxH | m | 1002 x 566 x 215 | 1002 x 566 x 215 | 855 x 657 x 215 | 1122 x 850 x 223 |
| Dimensions Internal Unit LxWxH | m | 557 x 536 x 43 | 557 x 536 x 43 | 575 x 556 x 49 | 575 x 556 x 49 |
| Weight | Kg | 30.8 | 31.8 | 35.5 | 48 |

| Part No | Description |
|------------|-------------------------------------|
| 9039071A | Cool Top Trail 20 |
| 9039072A | Cool Top Trail 24 |
| 4118628A | Cool Top Trail 28 |
| 9039073A | Cool Top Trail 34 |
| HGN3610007 | Optional Adaptor Frame 360 x 360 mm |

Please contact our Sales Department for further information & pricing for your project.

For more information please click here - <https://www.webasto-comfort.com/int/product-overview/product/show/cool-top-trail-2024342835-1/>

Cool Top Trail Range - RV

Ideal Climate!



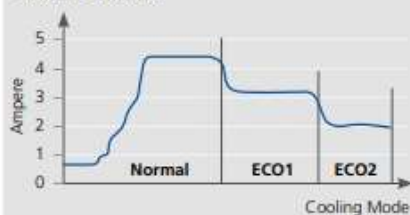
- Powerful units with high cooling and heating capacity
- Robust, Lightweight and Low Noise
- Wide Operating Range from -5 to +50°C
- Low profile and compact design
- Easy installation
- Comfortable temperature adjustment via remote control

NEW

The advantages of the Cool Top Trail 28V/36V

- Powerful units with high cooling and heating capacity
- Variable speed compressor technology provides low noise levels, high efficiency and eliminates any starting peak
- Amperage limitation function ECO1 and ECO2
- Low profile and compact design
- Turbo mode to provide fast cool down or heat up of vehicle

Amperage Draw Cool Top Trail 28V nominal condition



Technical specifications

| | Cool Top Trail 28V | Cool Top Trail 36V |
|--|--|--|
| Cooling capacity (W) | 2.800 | 3.600 |
| Heating capacity (W) | 2.600 | 3.300 |
| Nominal voltage/frequency (V)/(Hz) | 230~/50 | 230~/50 |
| Rated current (cooling mode) (A) | 4.8 | 6.4 |
| Rated current (heating mode) (A) | 4.8 | 6.2 |
| Operating temperature range (°C) | -5 to 50 | -5 to 50 |
| ECO1 (cooling mode, fan mode high) (A) | 3.3 | 4.2 |
| ECO2 (cooling mode, fan mode high) (A) | 2.0 | 2.4 |
| Roof thickness (mm) | 25 to 70 | 25 to 70 |
| Roof cut-out (mm) | 400 x 400 (360 x 360 with optional adaptor frame) | 400 x 400 (360 x 360 with optional adaptor frame) |
| Dimensions outdoor unit (mm) | 855 x 657 x 215 | 1.122 x 850 x 223 |
| Dimensions indoor unit (mm) | 575 x 556 x 49 | 575 x 556 x 49 |
| Weight total (kg) | 34.9 | 41.9 |

| Part No | Description |
|-------------|--|
| HGN75180001 | Cool Top Trail 28V Outdoor Unit |
| HGN75080001 | Cool Top Trail 36V Outdoor Unit |
| HGN75190001 | Cool Top Trail 28V-36V Indoor Unit 400 x 400 |
| HGN36100007 | Optional Adaptor Frame 360 x 360 mm |

Please contact our Sales Department for further information & pricing for your project.

For more information please click here - <https://www.webasto-comfort.com/int/product-overview/product/show/cool-top-trail-2024342835-1/>

Hepa Filter Range – Ambulance,

Compact, lightweight and easy to retrofit

High-efficiency particulate air filters (HEPA) are critical in the prevention of the spread of airborne bacterial and viral organisms. In conjunction with personal protective equipment, this type of filtration greatly reduces the risk of infection for emergency medical service operators.

Webasto filtration systems HFT 200, HFT 300 and HFT 600 are specifically designed to filter the air in the cabin and in the sanitary compartment of ambulances, removing 99.995 % particulates corresponding to SARS / COVID-19 virus sizes (0.1 micrometers) and effectively reducing the risk of infection.



- Key benefits at a glance:
- Removes 99.995 % of airborne infections and contaminants
- HEPA H14 classified filter
- High air exchange rate
- Up to 10 m³ fresh air every minute
- Ultra compact and lightweight
- Hassle free installation in less than 30 minutes
- Contamination free exchange of H14 filters
- Available in three versions: 200, 300 and 600 m³/ h
- Automatic filter monitoring feature
- The material and characteristics of the HEPA filter core meet the requirements of European Medical Devices
- Directive CE 47/ 2007
- Meets WHO / CDC / ECDC air filtration guidelines
- CE / UL compliant

Technical data

| Heating unit | HFT 300 | HFT 600 | HFT 200 | HFT 200 |
|--|--------------|--------------|--------------|--------------|
| Nominal Voltage (V) | 12* | 12* | 12/24 | 220 |
| Current consumption@12 V (A) | 7.1 | 14.2 | 4 (2.1) | na |
| Max. Air Flow rate (m ³ /h) | 300 | 600 | 190 | 175 |
| Air filter level | H14 | H14 | H14 | H14 |
| MPPS Efficiency (%) | 99,995 | 99,995 | 99,995 | 99,995 |
| Sound level (db) | 69** | 70** | 66.5 | 66.5 |
| Dimensions O-D. x L (mm) | 200 x 600 | 200 x 1200 | 200 x 600 | 200 x 600 |
| Weight (kg) | 5 | 10.5 | 5.5 | 7.4 |
| Installation position | Any | Horizontal | Any | Vertical |
| Temperature range | -20° to +60° | -20° to +60° | -20° to +60° | -20° to +60° |

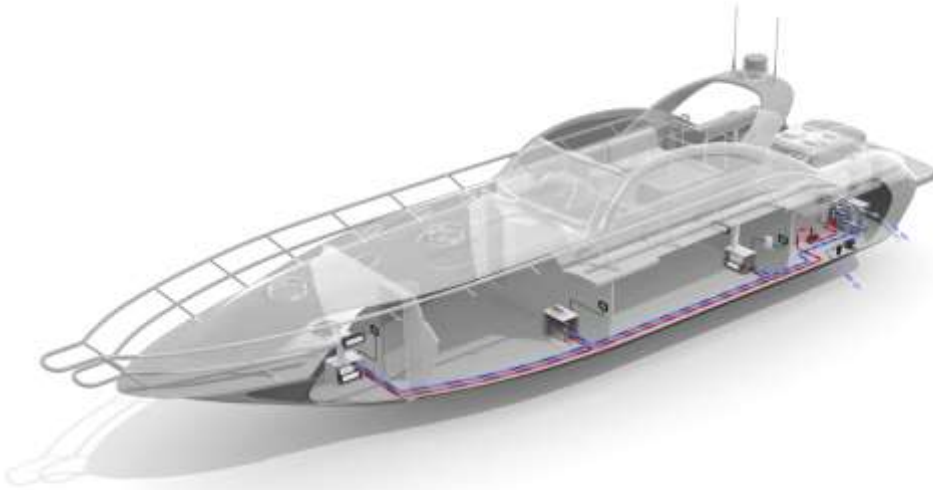
* 24 V available with a DC/DC converter. ** Measured at 1 m distance from the air inlet. Compliance: CE 47/2007 (European Medical Device Directive).

Please contact our Sales Department for further information & pricing for your project.

For more information please click here - <https://www.webasto-comfort.com/int/content/air-filtration-system/>

Marine Air Conditioning Systems

The right climate is essential!



Webasto now offers a full comprehensive range of Marine Air Conditioning System within it's product portfolio.

Our large product portfolio of self-contained air-conditioning systems up to large chiller systems is second to none. Our wide power range provides cooling capacities of 5,000 BTU/h up to 1,500,000 BTU/h. It is up to you to decide which technology is best suited for your boat or yacht.

Due to the diverse nature of installations, pricing for suitable systems are available upon request.



Self Contained



Chiller



Variable Speed Chiller

For more information please click here - <https://www.webasto-comfort.com/en-uk/cooling/marine/>

Marine Roof Platform Systems

Designed for your needs



Webasto has been manufacturing premium quality roofs for the automotive industry for over 50 years and are still the worldwide leader when it comes to sunroofs or retractable hardtops. Now we have brought this expertise into the marine market, and you can profit from it!

Webasto offers high quality roof systems to provide passengers with the best possible light and air on board. We are matching our expertise and knowledge acquired in 50 years of **automotive experience** with the latest **marine requirements** to provide customers and OEMs with top quality solutions for their boat or yacht.

Our customisable products allow our customers to create a **personalised roof with nearly no design constraints**.

We can offer a whole service range, starting with the customisable Hollandia Marine Sliding Roof, **one of the largest roof systems on the market and of outstanding flexibility**, up to completely customer specific roof projects, where only the imagination sets the limit.

For further information please click here - <https://www.webasto-comfort.com/en-uk/roof-solutions/marine/>

Pricing for suitable systems are available upon request from our Sales Office.



Indel Webasto Marine Products

A long tradition of Innovative Quality Projects



Indel Webasto Marine is the successful joint venture between the leading automotive supplier Webasto and the Italian refrigeration specialist Indel B. These two companies have joined forces to bring high quality equipment solutions for marine & R.V. applications.

The wide product range consists of fridges and freezers, built-in and travel boxes, wine cellars, water calorifiers, safes as well as customised solutions to offer more comfort on board. Indel Webasto Marine's refrigeration and freezer solutions are well acknowledged for their user-friendliness, their stylish design and their energy saving engineering.

Indel Webasto Marine represents:

- Quality components and products
- High performance
- Outstanding design
- Unique patents and technologies such as ASU and Frost-free
- Easy installation
- Vast product range and customisation possibilities



Due to the vast range of products available, a separate price list is available upon request from our Sales Office.

For more information and catalogue download and manuals please click here - <https://www.indelwebastomarine.com/int/>



Accessories



Smart Controller & Multi Controller



SmartController



MultiController

From Jan 2024 Multicontrol outer frames are now black

Heater compatibility

| | W-Bus | Analog (via switching output) | SmartController 9030026* | MultiController HD 9030025* | MultiController MAR/RV TT 9030911* | MultiController MAR/RV ATE 9030910* | MultiController Car 9029783* |
|------------------------------------|-------|----------------------------------|-----------------------------|--------------------------------|--|---|---------------------------------|
| Water heaters | | | | | | | |
| Thermo Top Evo | • | | | | | | • |
| Thermo Top Z/E/C | | On/Off | • | • | • | | • |
| Thermo 230/300/350 | | On/Off | • | • | • | | |
| Thermo Pro 50 / Thermo Pro 90 | • | On/Off | • | • | • | | |
| Thermo 90 ST | | On/Off | • | • | • | | |
| Thermo Pro 120/150 | • | On/Off | • | • | • | | |
| Air Heaters | | | | | | | |
| Air Top 2000 STC | • | | • | • | | • | |
| Air Top Evo 40/55 (after Feb 2015) | • | | • | • | | • | |

*Implementation of W-Bus planned for Q2 2015. After this Unibox will not be required

| Part No | Description |
|----------|---|
| 9030026D | SmartController |
| 9029783C | MultiController Car – Use for TTEVO Parking Heater Range |
| 9030911E | MultiController Marine/RV (Water Heaters) 21 Timers -3 event per day over 7 days timer |
| 9030910F | MultiController Marine/RV (Air Top Evo Heaters) 21 Timers - 3 event per day over 7 days timer |
| 9030025E | MultiController Commercial Vehicle/HD - 21 Timers - 1 event upto 7 days in advance timer |
| 9029674B | Diagnostic Cable (Smart/MultiController) – Can be used to access technicians menu |
| 9030077A | Mounting Plinth (Smart/MultiController) |
| 9031988A | 3m Multi Control Extension Cable |

For further information and downloads click here - <https://www.webasto.com/en-int/heating/controls/multicontrol.html>

Climate Control

One button ...



A simple to use Climate Control module designed to provide autonomous temperature control in Commercial and Leisure vehicles. Simple to operate and easy to install, the operator simply dials in the desired temperature and the unit seamlessly switches between hot and cold providing totally automatic temperature control.

Product Advantages include:

- Unique “Car Style” design
- Simple one button operation
- Plug and play installation
- No external relays
- Pre heat operation (without engine)*

Applications:

- Minibus
- Accessible Transport Vehicles
- Ambulance
- Bus and Coach
- Custodial Vehicles
- Military

*requires timer/time delay relay

| Part No | Description |
|----------|--|
| 4110978B | Climate Controller 12v (inc head unit and ECU) |
| 4111130A | Harness set climate control module |
| 4111142A | Sensor kit climate – Air Top Evo |
| 4111144A | Sensor kit climate – Air Top 2000 STC |

Phone Activation for Webasto Heaters

The **Thermoconnect (TCON 2)** is a subscription service with the first year being free and thereafter currently €34.99 per year. This uses both the GSM phone network and GPS locating. It is also web as well as App based so connection can be made anywhere. It can also be linked to Smart Home Systems.



The installation is a “Plug N Play” concept and interfaces with our current Air Top 2000STC RV & TTEVO RV. (see list below)

The highlight is a new interface APP and a feature called GEO Fencing. Geo fencing is the ability to create a virtual fence around the vehicle and check its location.

There is no SIM Card to buy as this is a subscription contract. The first year is free and then currently 34.99 euros thereafter per year.

A demonstration video can be found here - <https://youtu.be/a3q733C5vt8>

- Measurements: 112x70x18mm
- Integrated eSIM (Topup credit is not necessary)
- App available for Android and iOS and Web App “my.webasto-connect.com” available on all internet compatible devices
- Protection category: IP42
- Nominal voltage: 9V - 32V
- Quiescent current: < 5mA
- Communication via 2G and 4G by internal GSM Antenna
- Detection of geological data by internal GPS antenna (GPS/ GLONASS)
- Communication with heater via W-Bus and analogue signal
- Including push button with LED and integrated sensor for inner temperature
- Not foreseen for ADR vehicles
- Maximum heating duration of 120 minutes
- ECE R10; RoHS (2011/65/EU), REACH (1907/2006), RED (2014/53/EG), EMC (2014/30/EU)

| Part No | Description |
|----------|---|
| 9040223F | Kit Thermo Connect TCon2 |
| 1319820A | Y Harness – Required if using with another W-Bus device ie Multi Control. |

Supported Heaters

Thermo Top Evo 4 / 5 / 5+
 Thermo Pro 50 Eco
 Thermo Pro 90
 Thermo Top Pro 120 / 150
 Air Top 2000 STC
 Air Top Evo 40 / 55



For more information and downloads please click here –

<https://www.webasto.com/en-int/heating/controls/thermoconnect.html>

Accessories

Marine 7 Day Programmable Timer Kits



- Offers 4 Timer Events per day, seven days a week
- Plug and play
- Supplied with full installation & operating instructions

| Part No | Description |
|----------|---|
| 4110556B | Marine Dedicated 7 Day Programmable Timer 12v - Air Top 2000 ST/STC |
| 4110555B | Marine Dedicated 7 Day Programmable Timer 12v - Air Top Evo 3900 / 5500 & Air Top Evo 40/55 |
| 4110551B | Marine Dedicated 7 Day Programmable Timer 12v - Thermo Top Evo |
| 4110557B | Marine Dedicated 7 Day Programmable Timer 12v - Thermo 90 ST/Pro 90 |

Accessories

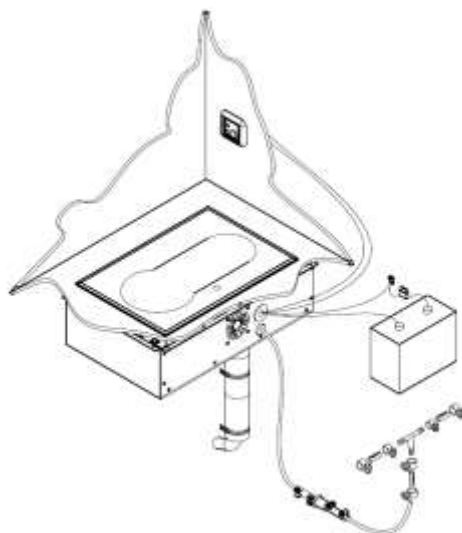
Diesel Cooker X100



| Technical Data (tolerance ±10%) | | | |
|---|---------------|------|------------------------------|
| EG-Type Approval code | | | GS / Fi / CE : 22159 / 22156 |
| Heating Output | Control Range | kW | 0.9 – 1.9 |
| Fuel Consumption | Control Range | kg/h | 0.074 – 0.156 |
| Rated Voltage | | V | 12 |
| Rated Power Consumption | Control Range | W | 0.3 (with start 8) |
| Heating up time | | min | 3 |
| Fuel Type | | | Diesel EN 590 |
| Maximum temperature cooking field | | °C | 550 |
| Dimensions (Ceran [®] cooking field) | LxWxH | mm | 466x316x50 |
| Dimensions (Ventilation box) | LxWxH | mm | 565x366x172 |
| Weight | | Kg | 9.5 |

Unit

| Part No | Description |
|----------|---|
| WA90000B | Diesel Cooker X100 including universal installation kit |



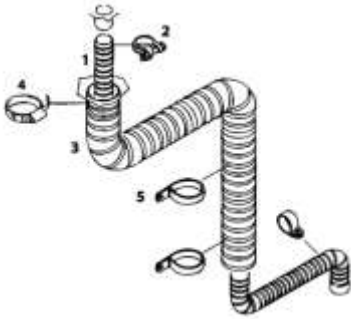
Click here for further information

<https://www.webasto.com/en-int/heating/rv-heater/diesel-cooker-x-100.html>

Accessories

Diesel Cooker X100

Exhaust



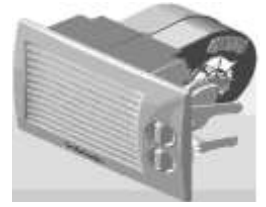
| Item No | Description | Part No. |
|---------|--|----------|
| 1 | Exhaust 28mm diameter – 3m length | 3200830A |
| 1 | Exhaust 28mm diameter – 1.9m length | 3200826A |
| 2 | Exhaust Hose Clamp 30-35mm | 1320203A |
| 3 | Cooling air hose APK 60mm i/d diameter | 398497 |
| 4 | Hose Clamp DIN 3017 60-80mm | 9026066A |

Fuel Supply



| Item No | Description | Part No. |
|---------|-----------------------------------|----------|
| 1 | Fuel hose (per m) | 483931 |
| 2 | Fuel filter | 1319466A |
| 3 | Fuel hose connector | 484032 |
| 4 | Fuel T piece 8 x 5 x 8 (plastic) | 1320192A |
| 5 | Hose clamp 10mm | 330027 |
| 6 | Hose clamp 12mm | 379670 |
| 7 | Fuel connector – cooker fuel pump | WA17689 |

Accessories



Blower Boxes Florida Range

| Technical Data (tolerance $\pm 10\%$) | | |
|--|-------------------|-------------|
| | | Florida 5 |
| Heating Output | kW | 5.2 |
| Dimensions (L x B x H) | mm | 269x218x198 |
| Weight | Kg | 2 |
| Rated Input | W | 120 |
| Airflow | m ³ /h | 285 |

Units

| Part No | Description |
|----------|-------------------------------|
| 3200679A | Florida 5 with control 12v |
| 3200680A | Florida 5 with control 24v |
| 3200681A | Florida 5 without control 12v |
| 3200682A | Florida 5 without control 24v |

Accessories

| Part No | Description |
|----------|---|
| 41K119A | Universal Coolant Hose Kit (inc 7.5m length of 16mm coolant hose, various joiners, t pieces, clips) |
| 3391288C | Automatic Blower Control Kit 12/24v |

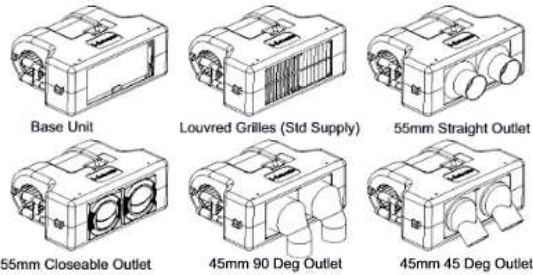
Accessories



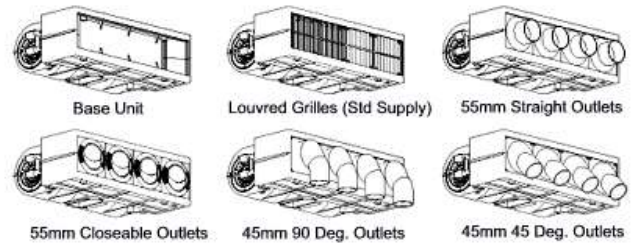
Blower Boxes Madeira range

| Technical Data (tolerance ±10%) | | | |
|---------------------------------|-------------------|-------------|-------------|
| | | Madeira 4 | Madeira 8 |
| Heating Output | kW | 4.6 | 7.3 |
| Dimensions (L x B x H) | mm | 275x203x115 | 376x250x115 |
| Weight | Kg | 1.8 | 3.1 |
| Rated Input | W | 70 | 150 |
| Airflow | m ³ /h | 200 | 300 |
| Fan Speed | | 3 | 3 |

Madeira 4



Madeira 8



| Part No | Description |
|----------|---|
| 71174550 | Madeira 4 12v (supplied with 2 x 90/90 Louvred Grilles as standard) |
| 71174552 | Madeira 4 24v (supplied with 2 x 90/90 Louvred Grilles as standard) |
| 71174554 | Madeira 8 12v (supplied with 4 x 90/90 Louvred Grilles as standard) |
| 71174556 | Madeira 8 24v (supplied with 4 x 90/90 Louvred Grilles as standard) |

Madeira Accessories

| Part No | Description | Qty Reqd Madeira 4 | Qty Reqd Madeira 8 |
|-------------|---|--------------------|--------------------|
| 3396524A | Grille (90x90) | 2 | 4 |
| 3396525A | Outlet 55mm straight | 2 | 4 |
| 71174563 | Outlet 45mm 90° | 2 | 4 |
| 71174564 | Outlet 45mm 45° | 2 | 4 |
| 71174562 | Air Outlet Closeable | 2 | 4 |
| 3219062300A | Electronic speed control with on/off 12v/24v | - | - |
| 41K120A | 3 Speed rotary blower switch | - | - |
| 41K119A | Universal Coolant Hose Kit (inc 7.5m length of 16mm coolant hose, joiners, t pieces, clips) | - | - |

Accessories

Blower Boxes

HTX S – HTX S HD – HTX M – HTX M HD



Technical data

| Model overview | HTX S | HTX S HD | HTX M | HTX M HD |
|--|-----------------|-----------------|-----------------|-----------------|
| Nominal heating capacity (kW) | 3.3 | 4.7 | 4.9 | 6.6 |
| Nominal voltage (V) | 12/24 | | | |
| Max total current absorption 12 – 24 V (A) | 1.2/0.6 | 8.5/4.2 | 2.4/1.2 | 13.5/6.8 |
| Max. blower volume flow (m³/h) | 161 | 276 | 320 | 605 |
| Dimensions L x W x H (mm) | 128 x 241 x 161 | 215 x 241 x 166 | 126 x 341 x 146 | 195 x 411 x 146 |
| Water connection Ø (mm) | 18 | | | |



HTX S

| Model overview | Scope of delivery | Order number |
|----------------|-------------------|--------------|
| HTX S 12 V | Heating system | 8410215B |
| HTX S 24 V | | 8410216B |



HTX S HD

| Model overview | Scope of delivery | Order number |
|----------------|-------------------|--------------|
| HTX S HD 12 V | Heating system | 8410213B |



HTX M

| Model overview | Scope of delivery | Order number |
|----------------|-------------------|--------------|
| HTX M 12 V | Heating system | 8410219B |
| HTX M 24 V | | 8410220B |



HTX M HD

| Model overview | Scope of delivery | Order number |
|----------------|-------------------|--------------|
| HTX M HD 12 V | Heating system | 8410217B |
| HTX M HD 24 V | | 8410218B |

POA – Please contact your Webasto representative for price and availability.



| Part Number | Description |
|-------------|---------------------------------------|
| 8410230 | On / Off switch HTX S ONLY |
| 8410231 | On / Off switch HTX M ONLY |
| 8410229 | 3 Pos switch HTX S HD & HTX M HD ONLY |

Accessories

Blower Boxes

HTX S – HTX S HD – HTX M – HTX M HD

NEW

HTX Accessories



| ref | Part No | Description | Blower Version |
|-----|----------|--|------------------|
| 1 | 8410221A | Air Duct 118 x 245 x 163.1 mm 4 x Ø 60 mm black | HTX S & HTX S HD |
| 2 | 8410222A | Air Duct 92 x 246 X 163.1 mm grille black | HTX S & HTX S HD |
| 3 | 8410223A | Air Duct 22.5 x 290 x 195 mm black switch panel c/w grille | HTX S & HTX S HD |
| 4 | 8410224A | Air Duct 115 x 416 x 145.8 mm 5 x Ø 60 mm black | HTX M HD |
| 5 | 8410225A | Air Duct 89 x 416 x 147.8 mm black grille | HTX M HD |
| 6 | 8410226A | Air Duct 89 x 346 x 147.8 mm black grille | HTX M |
| 7 | 8410227A | Air Duct 115 x 346 x 147.8 mm 5 x Ø 60 mm black | HTX M |
| 8 | 8410228A | Air Duct 22.5 x 400 x 182 mm black switch panel c/w grille | HTX M |

Accessories

Thermoduct



Webasto Thermoduct is constructed using market leading Thermal Insulation Material. The material is stitched into 750mm long tubes and is designed to slide directly over warm air ducting, providing exceptional thermal insulating properties.

- Temperature Resistant up to 140°C
- Hydrophobic – actually repels water, thus preventing mould & mildew
- Hypoallergenic
- Easy to handle
- Can double the effective heat output from air heaters by minimising ducting heat loss
- Allows long ducting runs to provide effective heat output
- Reduces heater running times, improving fuel and electrical power consumption
- Reduces external duct temperature from circ. 100° to 30°C

| Part No | Description |
|-----------|-----------------------------------|
| 41S70014A | 60mm Thermoduct – 750mm length |
| 41S70015A | 80/90mm Thermoduct – 750mm length |

Accessories

Diesel / Electric Water Heater System



| Technical Data (tolerance $\pm 10\%$) | | | |
|--|-------|----------|------------------------|
| Rated voltage | | V | 240 |
| Electric element power consumption | 240v | W | 2000 |
| Pressure relieve valve rating | | Bar | 4 |
| Water storage period | | Constant | Maintained by device |
| Dimensions of heater | HxD | mm | 357 x 275 |
| Dry Weight of heater | | Kg | 11.6 |
| Capacity | | litres | Typically 6-8 |
| Hot Water Production | @ 6°C | | Up to 18 litres @ 40°C |
| Water connection fittings | | | ½" BSP |

Unit Concept

The concept of the mini water heater is to produce hot water via mains electric or a diesel fired coolant heater. The heated water is then stored within the insulated tank ready for use as required. The water heater does not need to be connected to the engine, therefore there are no conversion issues to be addressed with the vehicle manufacturer. The system is heated to approximately 80°C. At the set temperature, the thermostat turns off the mains electric or diesel heater. The system design allows extremely quick hot water production and recovery.

Heating

The system can be connected to a Webasto Thermo Top diesel heater and incorporated into a “wet” heating system. Heat is produced by active or dynamic heating modules. When connected into a heating circuit, the mains system can also be used for heating.

Pricing available upon request

Accessories

Marine Calorifiers

- Extra long, corrugated coils for high heat exchange efficiency
- Special 7.0 bar / 100 psi safety valve
- Simple winter drain
- Ultra-thick insulation for lowest temperature loss
- Electrical plug and play immersion heating element, designed to heat the water at the bottom of the tank
- Thermostat mixing valve available as an option
- Immersion heating element available in 750 (std), 1200, 2000W as an option
- The 2000 W heating element is only compatible on 230 V versions
- Robust design
- Water tank in stainless steel
- External cylinder in stainless steel (Basic/Slim)
- Stable fixing feet in stainless steel
- 360 ° adjustable mounting for easy installation also on bulkhead (vertical)
- Not approved for vehicle engine coolant system use

For full details regarding our calorifier range please visit

<https://www.indelwebastomarine.com/int/products/isotemp-water-heaters/>



16 Litre Square



Inox Slimline Range
15/20/25 Litres



Inox Basic Range
24/30/40/50/75 Litres



Spa Range
15/20/25/30/40 Litres

Accessories



| Part No | Description |
|----------|---------------|
| 7572516A | ½" BSP x 16mm |
| 7572517A | ½" BSP x 19mm |

Accessories

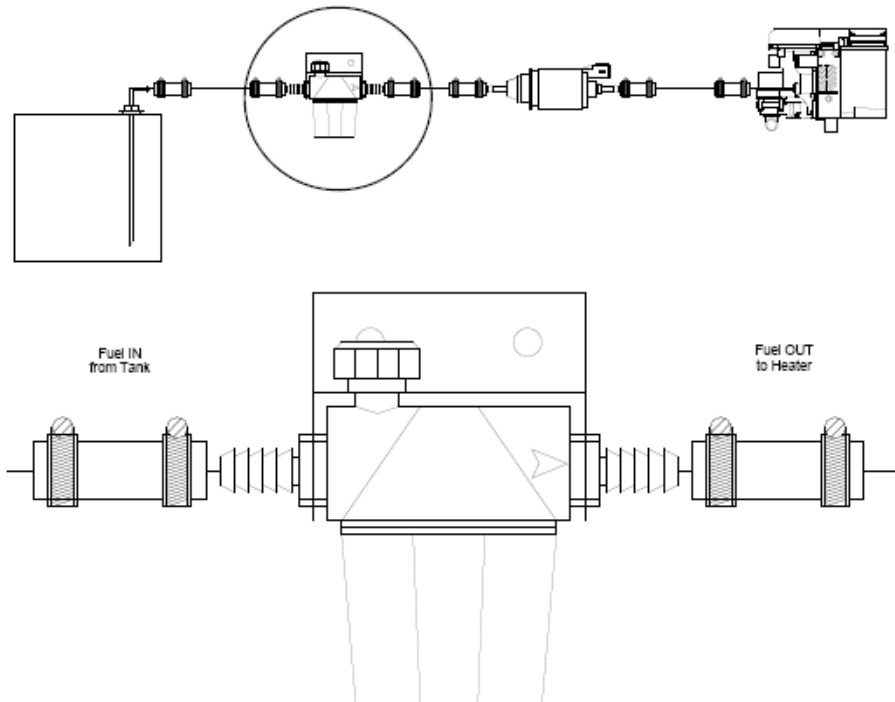
Marine Fuel Filter Kits

- Comes complete with installation kit and bracket
- Washable Filter
- Complete with Stop Tap
- Easy installation to existing Webasto Systems
- Comes with UK installation instructions.
- Competitively priced



| Part No | Description |
|----------|--|
| 4110766A | Kit – Marine Fuel Filter complete with fittings & mounting bracket |

Installation Example:

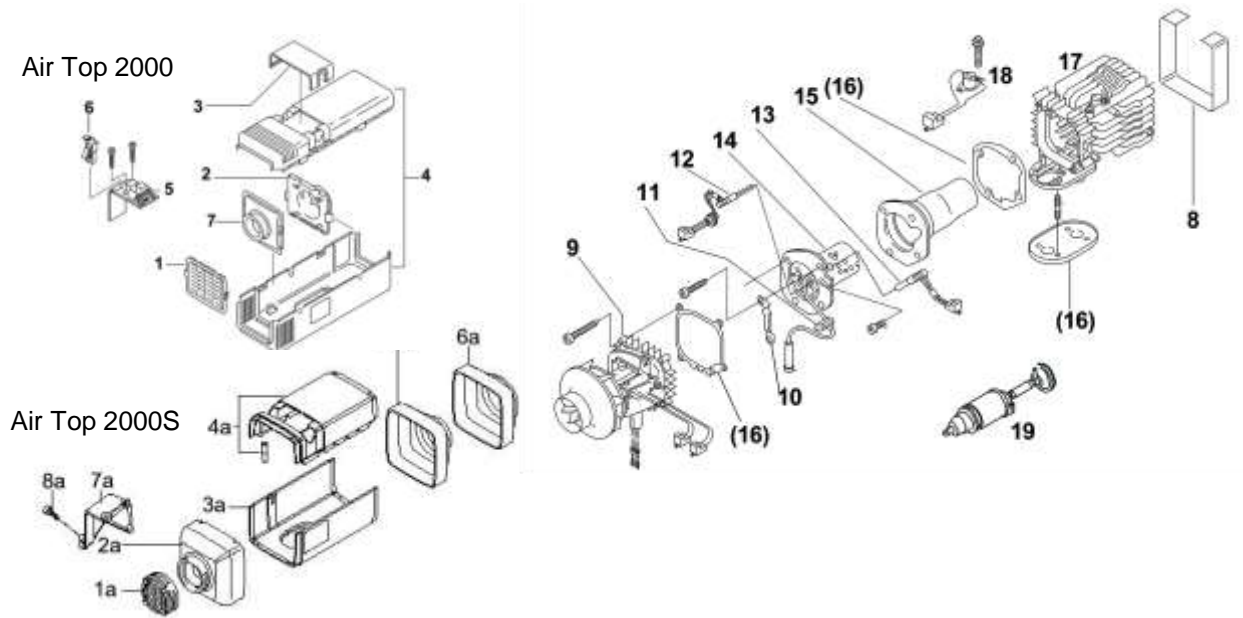


Replacement Parts



Air Heating Systems

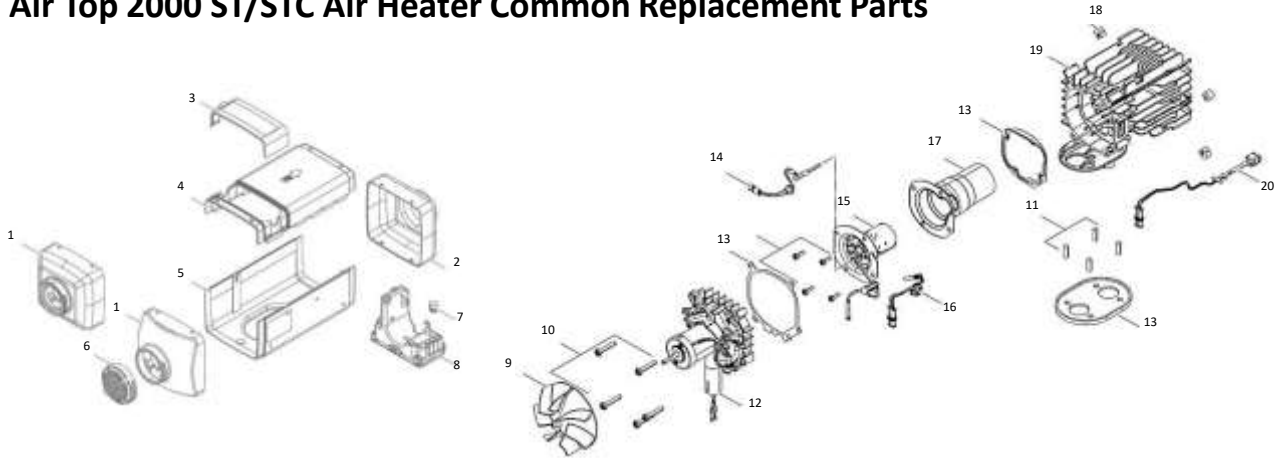
Air Top 2000 S Air Heater Common Replacement Parts



| Item No | Description | Part No. |
|-----------|---|--|
| 1 | Inlet/Outlet Screen (Air Top 2000) | 1320120A |
| 2 | Heating Air Outlet (Air Top 2000) | 1320122A |
| 3 | Control Unit Cover (Air Top 2000) | 1319621A |
| 4 | Upper/Lower Plastic Casing Set (Air Top 2000) | 82282A |
| 5 | Control Unit 12v Diesel (Air Top 2000) Control Unit 12v Petrol (Air Top 2000) Control Unit 24v Diesel (Air Top 2000) | 1323325A 87462B 1322711A |
| 6 | Internal Temperature Sensor (Air Top 2000) | 1322750A |
| 7 | Air Inlet Ring (Air Top 2000) | 1320121A |
| 1a | Air Inlet Grille (Air Top 2000S) | 1320163A |
| 2a | Air Inlet Hood (Air Top 2000S) | 9020539A |
| 3a | Bottom Casing (Air Top 2000S) | 1320343A |
| 4a | Upper Casing (Air Top 2000S) | 9001940A |
| 5a | Outlet Hood 60mm (Air Top 2000S) | 9019553A |
| 6a | Outlet Hood 75mm (Air Top 2000S) | 1320962A |
| 7a | Supporting Angle (Air Top 2000S) | 1321074A |
| 8a | Supporting Angle Screw (Air Top 2000S) | 1321805A |
| 8 | Sound Deadening Matting | 1320133A |
| 9 | Drive Assembly 12v Drive Assembly 24v | 84841B 1322633A |
| 10 | Screw Set | 1303327A |
| 11 | Socket (supplied with Burner Assembly) | - |
| 12 | Flame Detector | 1322407A |
| 13 | Glowpin 12v Glowpin 24v | 1322415A 1322408A |
| 14 | Burner Cartridge – Diesel Burner Cartridge—Petrol | 1322924A 84883A |
| 15 | Burner Tube | 1322722A |
| 16 | Gasket Set | 1322638A |
| 17 | Heat Exchanger | 67062B |
| 18 | Overheat Protection | 1322705A |
| 19 | Fuel Pump 12v Petrol/Diesel – DP2 c/w damper Fuel Pump 12v Diesel – DP30.02 pump only - no damper (damper must be used) Fuel Pump 24v Diesel – DP30.02 pump only - no damper (damper must be used) Order Fuel damper kit for above if required | 1322440A 1320292A 1320294A 478814 |
| Not Shown | Wiring Harness (Air Top 2000S Diagnostic) | 1319770A |
| Not Shown | Air Top 2000 / 2000S 12v Service Kit (contains Burner with glowpin & gasket set) – Diesel Only | 4111806A |
| Not Shown | Air Top 2000 / 2000S 24v Service Kit (contains Burner with glowpin & gasket set) – Diesel Only | 4111807A |

Air Heating Systems

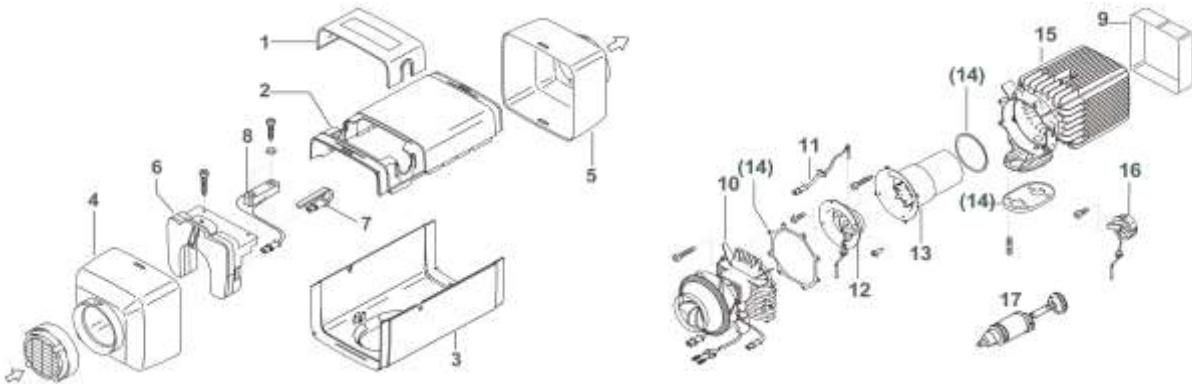
Air Top 2000 ST/STC Air Heater Common Replacement Parts



| Item No | Description | Part No. |
|---|--|--|
| 1 | Inlet Hood (from serial no 976400) – ST/STC Inlet Hood – ST | 9019552A 9020539A |
| 2 | Outlet Hood 60mm diameter – ST/STC Outlet Hood 75mm diameter – ST/STC | 9019553A 1320962A |
| 3 | Control Unit Cover – ST/STC | 1319621A |
| 4 | Upper Plastic Casing – ST/STC | 9019555A |
| 5 | Lower Plastic Casing – ST/STC | 1320343A |
| 6 | Grille – ST/STC | 1320163A |
| 7 | Plug – ST/STC | 1303325A |
| 8 | Control Unit 12v Petrol – ST Control Unit 12v Diesel – ST Control Unit 24v Diesel – ST Control Unit 12v Diesel (Camper/Boat Version) – ST (zero idle) Control Unit 12v Petrol – STC Control Unit 12v Diesel – STC Control Unit 12v Diesel – Marine – STC Control Unit 12v Diesel – RV – STC (zero idle/altitude) Control Unit 24v Diesel – STC | 9013148A 9013146A 1322865A 9013149A 9032304B 9032303B 9032308B 9032306C 9032302B |
| 9 | Combustion Air Fan | 1302774B |
| 10 | Screw Set – ST/STC | 1303327A |
| 11 | Stud Bolt Set – ST/STC | 1322868A |
| 12 | Drive Assembly 12v (c/w fuel pump cable from serial no 976400) – ST Drive Assembly 24v (c/w fuel pump cable from serial no 976400) – ST was 1322696A Drive Assembly 12v (c/w fuel pump cable up to serial no 976400) – ST Drive Assembly 24v (c/w fuel pump cable up to serial no 976400) – ST Drive Assembly Petrol 12v (c/w fuel pump cable) – STC Drive Assembly Diesel 12v (c/w fuel pump cable) – STC was 9032300A Drive Assembly Diesel 24v (c/w fuel pump cable) – STC was 9032301A | 9037049A 9037046A 1303846A 1303848A 9032299A 9037051A 9037048A |
| 13 | Gasket Set – ST/STC | 1322586A |
| 14 | Flame Detector Petrol only – ST/STC | 1322426A |
| 15 | Burner Insert Petrol – ST/STC Burner Insert Diesel – ST/STC | 84883A 1322585A |
| 16 | Glowpin 12v – ST/STC Glowpin 24v – ST/STC | 1322420A 1322411A |
| 17 | Burner Tube – ST/STC | 1322722A |
| 18 | Isolator (Pack of 4) – ST/STC | 1303326A |
| 19 | Heat Exchanger Petrol – ST/STC- 9005090A Heat Exchanger Diesel – ST/STC | 9037053A 1302805A |
| 20 | Overheat Sensor – ST/STC | 1322850A |
| Not Shown AT2ST | Fuel Pump 12v Petrol/Diesel – DP2 – ST only Fuel Pump 12v Diesel – DP30.02 pump only - no damper (damper must be used) Fuel Pump 24v Diesel – DP30.02 pump only - no damper (damper must be used) Order Fuel damper kit for above if required | 1322440A 1320292A 1320294A 478814 |
| Not Shown AT2STC | Fuel Pump for 12v Petrol without damper - DP42.4 – STC only Fuel Pump 12v / 24v Diesel with damper – DP42.4 – STC only | 1324533A 9024802A |
| Not Shown | Basic Wiring Harness – ST Basic Wiring Harness – STC (Std) Basic Wiring Harness – STC (RV Zero idle/Manual Altitude Switch) old version Basic Wiring Harness – STC (RV Rotary or Multi Control Altitude version) later version heaters Fixed Resistor for harness 9037594A if required. | 1320459A 9033755A 9034309A 9037594A 9037595A |
| Not Shown Parts available individually | Air Top 2000 ST/STC 12v Service Kit (contains Burner with glowpin, flame tube & gasket set) – Diesel Only Air Top 2000 ST/STC 24v Service Kit (contains Burner with glowpin & gasket set) – Diesel Only All the above parts are available individually | 9037043A 4111815A |

Air Heating Systems

Air Top 3500 / 5000 Air Heater Common Replacement Parts

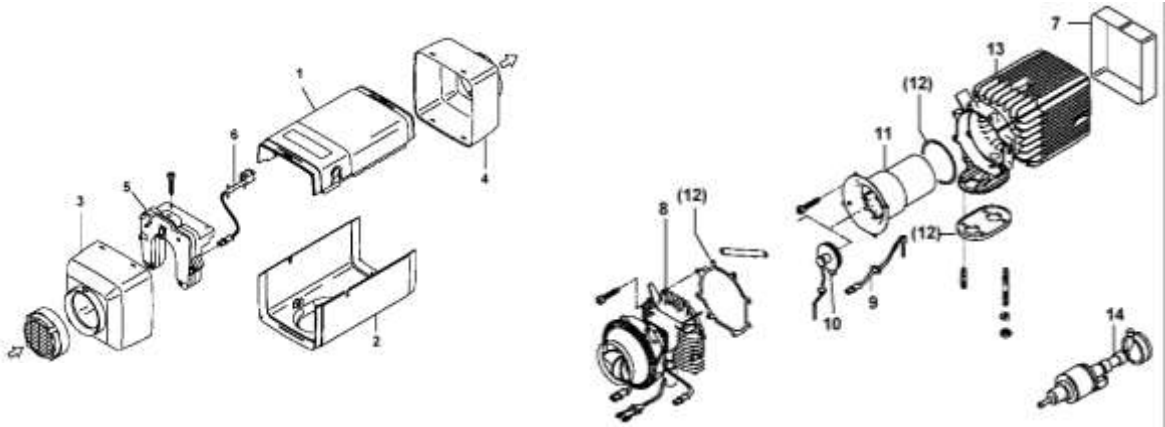


| Item No | Description | Part No. |
|-----------|--|--|
| 1 | Control Unit Cover | 1320180A |
| 2 | Top Casing – 1 Locating Peg Top Casing – 2 Locating Pegs | 9029549A 1320321A |
| 3 | Bottom Casing – 1 Locating Peg - NLA Bottom Casing – 2 Locating Pegs | 88002C 1320320A |
| 4 | Inlet Hood – 1 Locating Peg Inlet Hood – 2 Locating Pegs | 1319793A 1320322A |
| 5 | Outlet Hood – 1 Locating Peg - NLA Outlet Hood – 2 Locating Pegs | 1320315A 1320323A |
| 6 | Control Unit Air Top 3500 24v Diesel (Standard) - NLA Control Unit Air Top 3500 12v Diesel (Standard) Control Unit Air Top 5000 24v Diesel (Standard) - NLA Control Unit Air Top 5000 12v Diesel (Standard) Control Unit Air Top 3500 12v Diesel (RV*) Control Unit Air Top 5000 12v Diesel (RV*) <i>*(Must be used with remote temperature probe)</i> | 89838B 89839C 89834B 89836C 67787B 67788B |
| 7 | Temperature Sensor | 1319799A |
| 8 | Overheat Protection | 1319798A |
| 9 | Sound Deadening Matting | 1320187A |
| 10 | Drive Assembly Air Top 3500 24v Diesel (Standard) was 91381A Drive Assembly Air Top 3500 12v Diesel (Standard) was 91380A Drive Assembly Air Top 5000 24v Diesel (Standard) was 91379A Drive Assembly Air Top 5000 12v Diesel (Standard) was 91378A | 9036741A 9036740A 9036737A 9036738A |
| 11 | Glowpin 12v Glowpin 24v | 1322428A 1322417A |
| 12** | Burner with Glowpin 12v Burner with Glowpin 24v | 67984B 1322862A |
| 13 | Burner Tube Diesel Version | 1322471A |
| 14 | Gasket Set | 1322643A |
| 15 | Heat Exchanger – Was 9004216A | 9036743A |
| 16** | Burner - Standard Heater | 67955A |
| 17 | Fuel Pump 12v Diesel DP30 no damper Fuel Pump 24v Diesel DP30 no damper | 1320292A 1320294A |
| Not Shown | Universal Wiring Harness - POA | 4116017A |
| Not Shown | Reflector Foil (Pack of 5 pieces) | 9022102A |
| Not Shown | Air Top 3500 / 5000 12v Service Kit (contains Burner with glowpin & gasket set) – Diesel Only Air Top 3500 / 5000 24v Service Kit (contains Burner with glowpin & gasket set) – Diesel Only | 67984B 1322862A |

** DEPENDENT UPON HEATER YEAR OF MANUFACTURE/SERIAL NUMBER – PLEASE REFER TO WEBASTO TECHNICAL BULLETIN ED088

Air Heating Systems

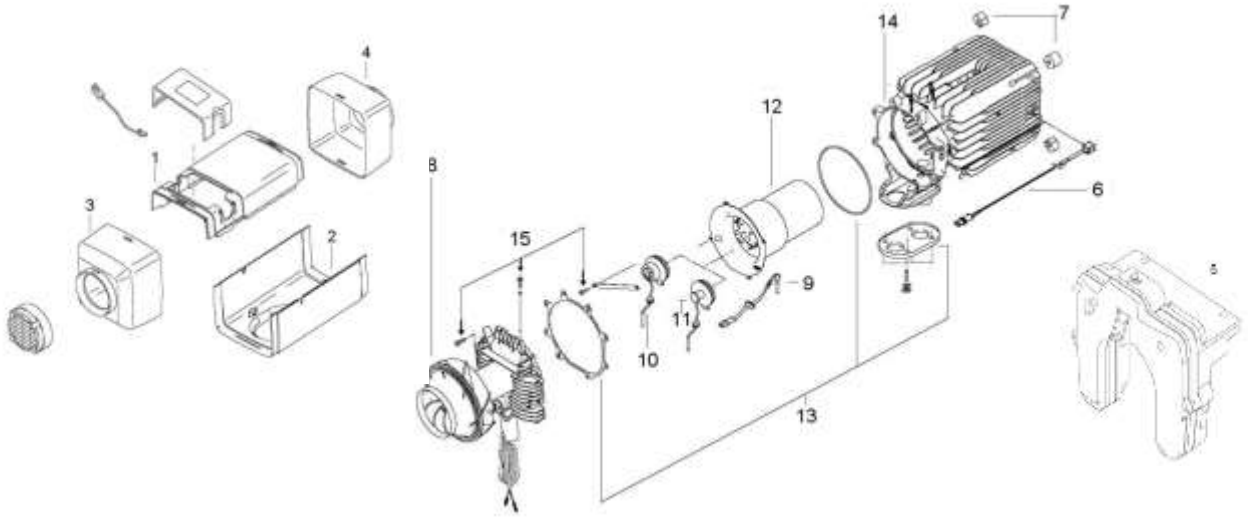
Air Top 3500 ST / Air Top 5000 ST Air Heater Common Replacement Parts



| Item No | Description | Part No. |
|-----------|--|--|
| 1 | Top Casing—Air Top 3500ST/5000ST | 1320321A |
| 2 | Bottom Casing—Air Top 3500ST/5000ST | 1320320A |
| 3 | Air Inlet Hood—Air Top 3500ST/5000ST | 1320322A |
| 4 | Air Outlet Hood—Air Top 3500ST/5000ST | 1320323A |
| 5 | Electronic Control Unit 12v—Air Top 3500ST Diesel (Standard Version) Electronic Control Unit 24v—Air Top 3500ST Diesel (Standard Version) Electronic Control Unit 12v—Air Top 3500ST Diesel (Boat Version) Electronic Control Unit 24v—Air Top 3500ST Diesel (Boat Version) Electronic Control Unit 12v—Air Top 5000ST Diesel (Standard Version) Electronic Control Unit 24v—Air Top 5000ST Diesel (Standard Version) Electronic Control Unit 12v—Air Top 5000ST Diesel (Boat Version) Electronic Control Unit 24v—Air Top 5000ST Diesel (Boat Version) | 9006824A 9006821A 9009682A NLA 9006822A 9006820A 9009684A 9009686A |
| 6 | Overheat Temperature Sensor—Air Top 3500ST/5000ST | 9004227A |
| 7 | Sound Deadening Matting | 1320187A |
| 8 | Drive Assembly 12v—Air Top 3500ST Drive Assembly 24v—Air Top 3500ST Drive Assembly 12v—Air Top 5000ST Drive Assembly 24v—Air Top 5000ST | 9004209A 9004210A 9004211A 9004212A |
| 9 | Glowpin 12v—Air Top 3500ST/5000ST Glowpin 24v—Air Top 3500ST/5000ST | 9004214B 9004215A |
| 10 | Burner Cartridge—Air Top 3500ST/5000ST Diesel Only | 9004220A |
| 11 | Burner Tube—Air Top 3500ST/5000ST | 9006653A |
| 12 | Gasket Set—Air Top 3500ST/5000ST | 1322643A |
| 13 | Heat Exchanger—Air Top 3500ST/5000ST | 9036743A |
| 14 | Fuel Pump 12v Diesel DP30 no damper Fuel Pump 24v Diesel DP30 no damper | 1320292A 1320294A |
| Not Shown | Universal Wiring Harness | 4116017A |
| Not Shown | Reflector Foil (Pack of 5 pieces) | 9022102A |
| Not Shown | Air Top 3500 / 5000 ST 12v Service Kit (contains Burner with glowpin & gasket set) – Diesel Only Air Top 3500 / 5000 ST 24v Service Kit (contains Burner with glowpin & gasket set) – Diesel Only | 9004217A 9004218A |

Air Heating Systems

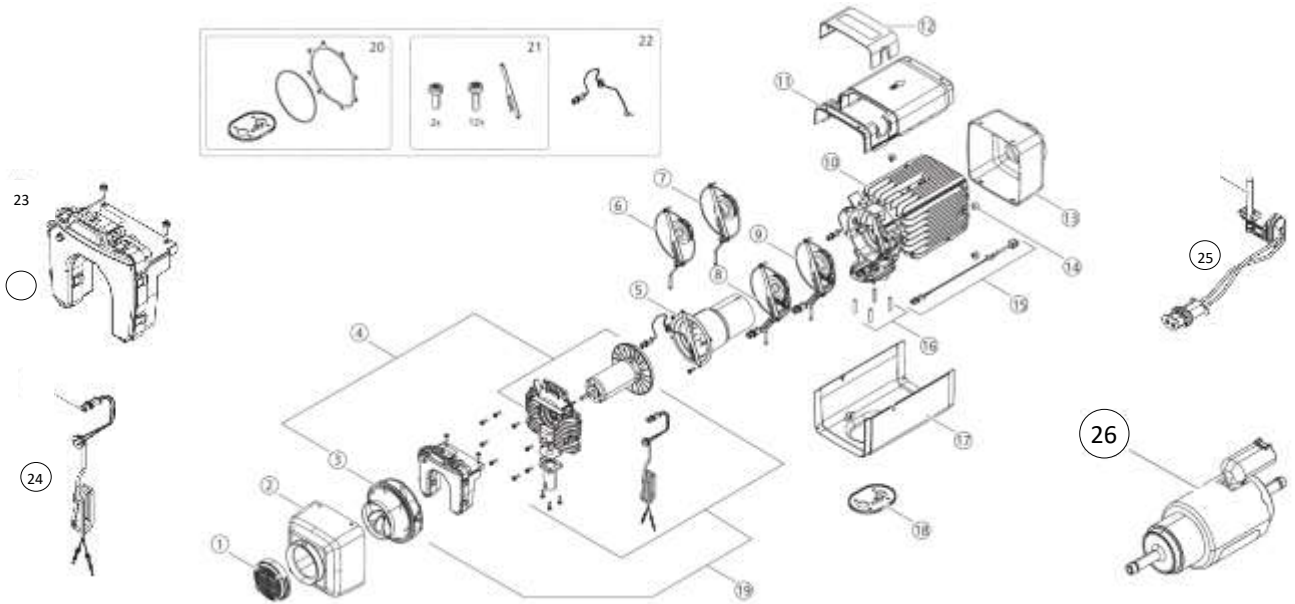
Air Top Evo 3900 / Air Top Evo 5500 Air Heater Common Replacement Parts



| Item No | Description | Part No. |
|-----------|---|---|
| 1 | Top Casing—Air Top Evo 3900/5500 | 1320321A |
| 2 | Bottom Casing—Air Top Evo 3900/5500 | 1320320A |
| 3 | Air Inlet Hood—Air Top Evo 3900/5500 | 1320322A |
| 4 | Air Outlet Hood—Air Top Evo 3900/5500 | 1320323A |
| 5 | Electronic Control Unit 12v—Air Top Evo 3900 Diesel Standard Version Electronic Control Unit 24v—Air Top Evo 3900 Diesel Standard Version Electronic Control Unit 12v—Air Top Evo 3900 Diesel DP42 Version (was 9028490A) Electronic Control Unit 12v—Air Top Evo 3900 Diesel DP42 Auto Height Version Electronic Control Unit 12v—Air Top Evo 5500 Diesel Standard Version Electronic Control Unit 24v—Air Top Evo 5500 Diesel Standard Version <i>Other specialist version control units are available, dependent upon the model Air Top Evo version—please refer to Webasto spare parts list—pricing available upon request</i> | 1313137A 1313144A NLA 1314147A 1313133A 1313136A |
| 6 | Overheat Temperature Sensor—Air Top Evo 3900/5500 | 1313158A |
| 7 | Replacement Isolator Set—Air Top Evo 3900/5500 PK4 | 1303326A |
| 8 | Drive Assembly 12v/24v Air Top Evo 3900 (was 9018417A) Drive Assembly 12v/24v Air Top Evo 5500 (was 1313121A) | 9037106A 9037107A |
| 9 | Glowpin 12v—Air Top Evo 3900/5500 Glowpin 24v—Air Top Evo 3900/5500 | 1314150A 1314151A |
| 10 | Burner Cartridge Petrol—Air Top Evo 3900/5500 | 1313127B |
| 11 | Burner Cartridge Diesel—Air Top Evo 3900/5500 | 1313132B |
| 12 | Burner Tube—Air Top Evo 3900/5500 | 9006653A |
| 13 | Gasket Set—Air Top Evo 3900/5500 | 1322643A |
| 14 | Heat Exchanger—Air Top Evo 3900/5500 (was 1314152A) | 9037108A |
| 15 | Screw Set—Air Top Evo 3900/5500 | 9004229A |
| Not Shown | Fuel Pump 12v Diesel DP30 no damper Fuel Pump 24v Diesel DP30 no damper Fuel Pump 12v Petrol - DP2 with Damper | 1320292A 1320294A 82554A |
| Not Shown | Universal Wiring Harness 4.8m Lg | 1319836A |
| Not Shown | Reflector Foil (Pack of 5 pieces) | 9022102A |
| Not Shown | Air Top Evo 3900 / 5500 12v Service Kit (contains Burner with glowpin & gasket set) – Diesel Only Air Top Evo 3900 / 5500 24v Service Kit (contains Burner with glowpin & gasket set) – Diesel Only | 1313124A 1313126A |

Air Heating Systems

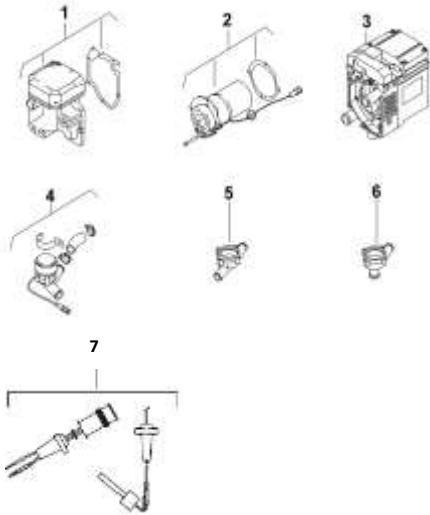
Air Top Evo 40 / Air Top Evo 55 Air Heater Common Replacement Parts



| Item No | Description | Part No. |
|---------|--|--|
| 1 | Air Inlet Grille | 1310581A |
| 2 | Air Inlet Hood | 1320322A |
| 3 | Air Fan | 9023385A |
| 4 | Drive Assembly without Fuel Pump Wiring Harness – Air Top Evo 40/55 | 9029388A |
| 5 | Burner Tube | 9029410A |
| 6 | Burner without Glowpin Air Top Evo 40/55 Petrol | 9029414A |
| 7 | Burner without Glowpin Air Top Evo 40/55 Diesel | 9029415A |
| 8 | Burner with Glowpin Air Top Evo 40/55 Petrol 12v | 9029411A |
| 9 | Burner with Glowpin Air Top Evo 40/55 Diesel 12v Burner with Glowpin Air Top Evo 40/55 Diesel 24v | 9029412A 9029413A |
| 10 | Heat Exchanger (was 9029416A) – includes ex gas and heat exchanger temperature sensors | 9037116A |
| 11 | Top Casing | 1320321A |
| 12 | Control Unit Cover | 1320180A |
| 13 | Outlet Cover | 1320323A |
| 14 | Bag Insulators (4) | 1303326A |
| 15 | Bag Blow Out Temperature Sensor | 1313158A |
| 16 | Stud Bolt Set | 1322868A |
| 17 | Bottom Casing | 1320320A |
| 18 | Base Gasket | 1310580A |
| 19 | Drive with fuel pump harness Air Top Evo 40/55 (was 9029393A) | 9037115A |
| 20 | Bag Gasket Set | 1322643A |
| 21 | Bag Screw Set | 9029408A |
| 22 | Exhaust Gas Temperature Sensor | 9029409A |
| 23 | Electronic Control Unit Air Top Evo 40 Diesel 12v Electronic Control Unit Air Top Evo 55 Diesel 12v Electronic Control Unit Air Top Evo 40 Petrol 12v Electronic Control Unit Air Top Evo 55 Petrol 12v Electronic Control Unit Air Top Evo 40 Diesel 24v Electronic Control Unit Air Top Evo 55 Diesel 24v | 9029417C 9029418C 9029419C 9029420C 9029421C 9029422C |
| 24 | Wiring harness Air Top Evo 40/55 (DP42 pump) | 9029425A |
| 25 | Glowpin 12v Glowpin 24v | 1314150A 1314151A |
| 26 | Dosing Pump DP 42.4 (12v/24v) | 1324533A |

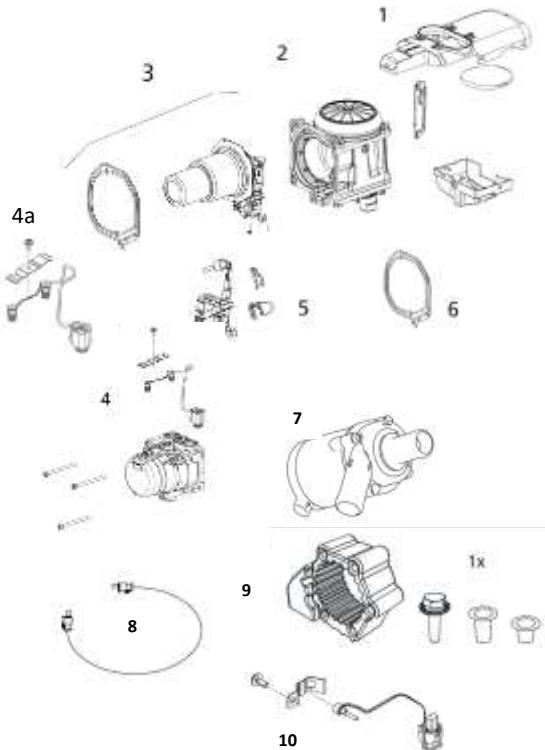
Water Heating Systems

Thermo Top E/C Range Water Heaters Common Replacement Parts – Diesel Only



| Item No | Description | Part No. |
|---------|---|----------|
| 1 | Diesel Combustion Air Motor 12v – TTE/C | 1322649A |
| 2 | Diesel Burner Cartridge c/w Glowpin 12v – Standard | 1322639A |
| 3 | Diesel Burner Head/Heat Exchanger/ECU – TTC (Std) | 92998G |
| | Diesel Burner Head/Heat Exchanger/ECU – TTE | 9001398D |
| | Diesel Burner Head/Heat Exchanger/ECU – TTC 300 MODEL (RV & Marine Version) | 9007864C |
| 4 | Water Pump U4847 12v – TTE/C | 9002514B |
| 5 | Water Pump Housing 193° - TTE/C | 1322704A |
| 6 | Water Pump Housing Axial – TTE/C | 1322702A |
| 7 | Glowpin 12v | 9017813B |
| - | Fuel Pump 12v Petrol/Diesel – DP2 | 1322440A |
| - | Fuel Pump 12v Diesel – DP30.02 pump only | 1320292A |
| - | Gasket Set | 9000861A |

Thermo Top Evo Range Water Heaters Common Replacement Parts – Diesel Only

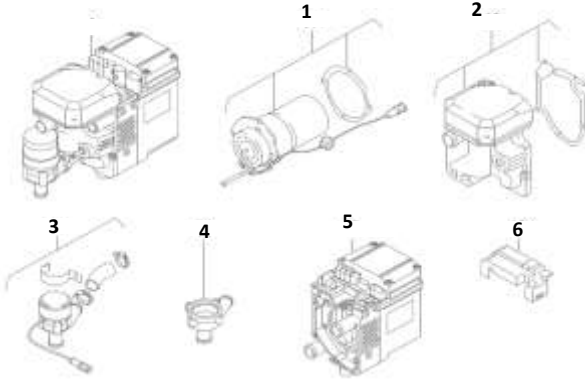


| Item No | Description | Part No. |
|---------|--|----------|
| 1 | Cover | 1316036A |
| 2, 6 | Fan/ECU Thermo Top Evo 4 Diesel | 1315943B |
| | Fan/ECU Thermo Top Evo 5 Diesel | 1315941B |
| | Fan/ECU Thermo Top Evo 5+ Diesel | 1315942A |
| | Fan/ECU Thermo Top Evo 5 RV Gen 1 - 9037922A | NLA |
| | Fan/ECU Thermo Top Evo 5 RV Gen 4 | 9042218A |
| 3 | Burner Thermo Top Evo Diesel including Glowpin | 1315947A |
| 4, 6 | Heat Exchanger Thermo Top Evo – Gen 1 | 1315950A |
| | Heat Exchanger Thermo Top Evo – Gen 4 | 1321655A |
| 4a | Coolant Temperature Sensors – was 9021769A | 9045211A |
| 5, 6 | Glowpin Thermo Top Evo | 1315949B |
| 6 | SP Bag SMP WUET TT-Evo – Gasket Set | 1316343A |
| 7 | Water Pump U4847 Econ Axial 18mm | 1316193A |
| | Water Pump U4847 20mm (RV Version) | 9002514B |
| 8 | Cable Water Pump U4847 400mm | 1320306A |
| | Cable Water Pump U4847 600mm | 1319967A |
| | Cable Water Pump U4847 1500mm | 1320307A |
| | Cable Water Pump U4847 750mm | 1320308A |
| 9 | Bag Support Water Pump U4847 Econ | 1322841A |
| 10 | SP - Exhaust gas temperature sensor ttp60 | 1323324A |
| - | Dosing Pump DP 42.4 (12v/24v) | 1324533A |
| - | Ventilation Control | 1319966A |
| - | Main Wiring Harness – Car/Multi Control | 1320330A |
| - | Wiring Harness Relay & Safety Holder | 1320658A |

FOR PETROL HEATER COMPONENTS, PLEASE REFER TO RELEVANT TECHNICAL SPARE PARTS HANDBOOK

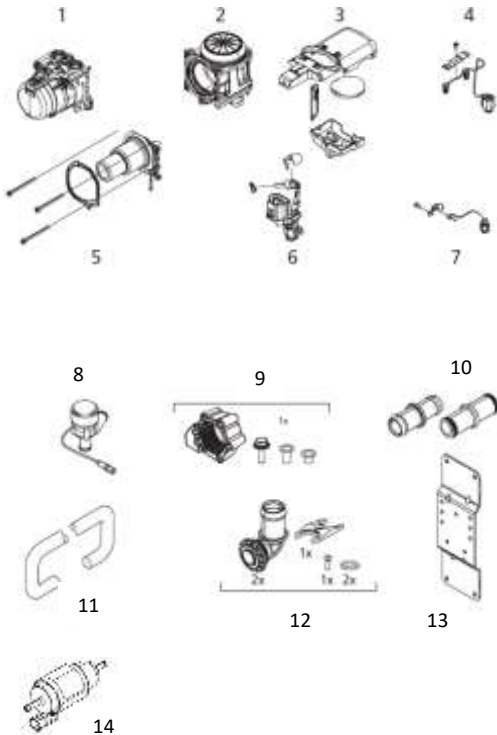
Water Heating Systems

Thermo 50 Water Heater Common Replacement Parts



| Item No | Description | Part No |
|-----------|---|----------|
| 1 | Burner (Diesel) | 98234B |
| 2 | Combustion Air Fan 24v | 98235B |
| 3 | Circulation Pump U4847 24v | 98237B |
| 4 | Pump housing axial | 1322702A |
| 5 | Burner head/heat exchanger/control unit 24v | 9032438A |
| 6 | Central end cover | 1311100A |
| Not Shown | Fuel Pump 24v DP30.02 | 1320294A |

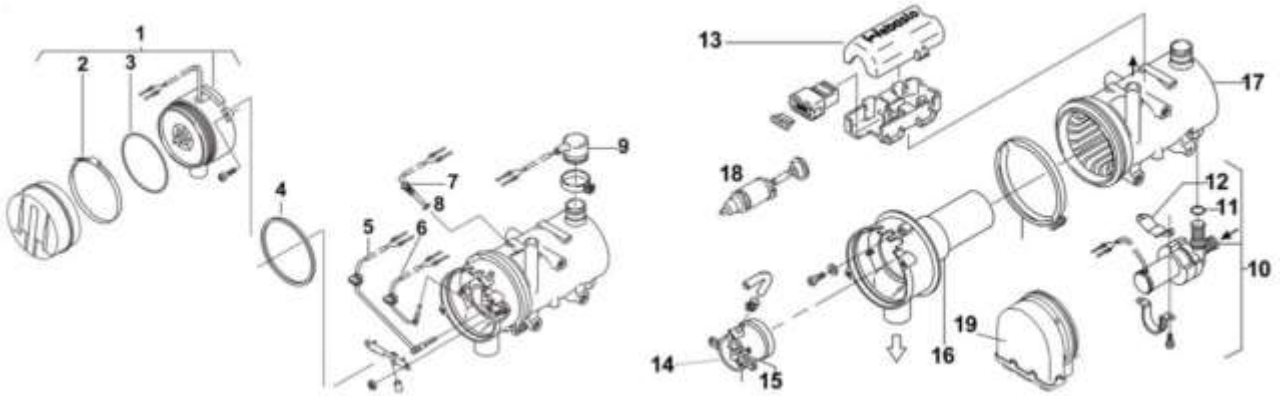
Thermo Pro 50 Eco Water Heater Common Replacement Parts



| Item No | Description | Part No |
|-----------|--|----------|
| 1 | Heat Exchanger | 1321655A |
| 2 | Blower/ECU Blower/ECU HA Version POA | 9027117D |
| 3 | Protective Cap | 1316036A |
| 4 | Coolant Temperature Sensors – was 9021769A | 9045211A |
| 5 | Burner (including glowpin) | 9026489B |
| 6 | Glowpin 24v | 9026490A |
| 7 | Exhaust Temperature Sensor – Was 9026491B | 1323324A |
| 8 | Circulating Pump U4847 24v | 9028635A |
| 9 | Mounting Parts for Circulating Pump | 9027035A |
| 10 | Connection Pipe & Hose Clamp | 9024807A |
| 11 | Hose 20mm 2 X 180 deg. 2.2m | 1319631A |
| 12 | Water Socket – 20mm | 9026726A |
| 13 | Mounting Bracket | 1321940A |
| 14 | Dosing Pump DP 42.4 (12v/24v) | 1324533A |
| Not Shown | Wiring Harness | 1319967A |

Water Heating Systems

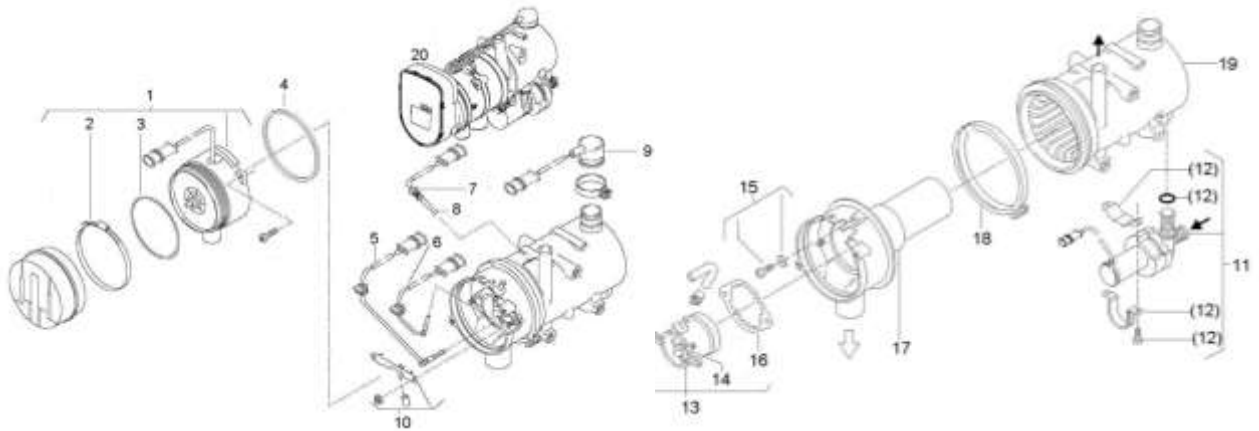
Thermo 90 S Water Heater Common Replacement Parts



| Item No | Description | Part No. |
|-----------|---|--------------------------------|
| 1 | Combustion Air Fan 12v Combustion Air Fan 24v | 90214A 90215A |
| 2 | Hose Clamp | 139653 |
| 3 + 4 | Gasket Ring | 1322875A |
| 5 | Flame Detector | 1322410A |
| 6 | Glowpin 12v Glowpin 24v | 1322434A 1322412A |
| 7 | Temperature Sensor | 1319653A |
| 8 | Gasket Ring | 1320049A |
| 9 | Overheat Protection | 1319651A |
| 10 | Water Pump 12v - EXCHANGE SET U4846 T90 TO UP4829 12V Water Pump 24v - EXCHANGE SET U4846 T90 TO UP4829 24V | 86568A 1322824A |
| 11 | Gasket Ring | 1321046A |
| 12 | Not Available | - |
| 13 | Protection Cap | 9026934A |
| 14 | Burner Cartridge (Standard Heater) Diesel | 1322584A |
| 15 | Burner Cartridge (Standard Heater) includes flame tube, gasket set Diesel | 9039292A |
| 16 | Not available | - |
| 17 | Burner Tube | 1322847A |
| 18 | Heat Exchanger (U4846 pump) (was 1317521A) Includes sensors and hose clamp | 9039281A |
| 19 | Fuel Pump 12v Diesel – DP30.02 pump only - no damper (damper must be used) Fuel Pump 24v Diesel – DP30.02 pump only - no damper (damper must be used) Order Fuel damper kit for above if required | 1320292A 1320294A 478814 |
| 20 | Control Unit 12v - SG1577 Control Unit 24v - SG1577 | 9025599A 9025554A |
| Not Shown | Harness – Heater to Control Box | 1320951A |
| Not Shown | Harness – Control Box to Switch | 1320952A |
| Not Shown | Thermo 90 / S 12v Service Kit (contains Burner with glowpin, flame detector & gasket set) – Diesel Only | 4111828A |
| Not Shown | Thermo 90 / S 24v Service Kit (contains Burner with glowpin, flame detector & gasket set) – Diesel Only | 4111829A |

Water Heating Systems

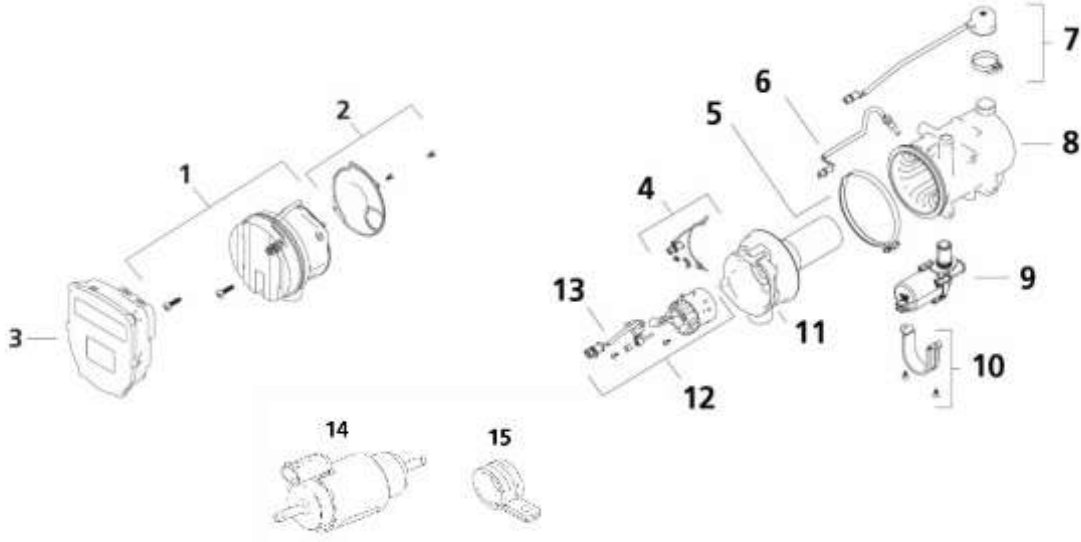
Thermo 90 ST Water Heater Common Replacement Parts



| Item No | Description | Part No. |
|-----------|--|--|
| 1 | Combustion Air Fan 12v Combustion Air Fan 24v | 9010622A 9010621A |
| 2 | Hose Clamp | 139653 |
| 3 + 4 | Gasket Ring | 1322875A |
| 5 | Flame Detector | 9010617B |
| 6 | Glowpin 12v Glowpin 24v | 9010615B 1322644C |
| 7 | Temperature Sensor | 9010620A |
| 8 | Gasket Ring | 9011519A |
| 9 | Overheat Protection | 9010616A |
| 10 | Taptite Self Tapping Screw Set | 9011518A |
| 11 | Kit U4840, 12 V (including U4840, 12 V with adapter cable and connection kit) Kit U4840, 12 V (including U4840, 12 V with bracket, adapter cable and connection kit) Kit U4840, 24 V (including U4840, 24 V with adapter cable and connection kit) Kit U4840, 24 V (including U4840, 24 V with bracket, adapter cable and connection kit) | 9024184B 9024186B 9024185B 9024187B |
| 12 | Mounting Parts Set—U4846 Pump (on run out) | 9011521A |
| 13 | SP Service Kit Thermo 90ST Burner D inc. Burner tube (replaced 1322584A) | 9039292A |
| 14 | Not Available | - |
| 15 | Mounting Parts Set for Burner Head | 9011520A |
| 16 | Inlet Guide Plate | 1321029A |
| 17 | Burner Tube | 1322847A |
| 18 | Tightening Clamp | 1322856A |
| 19 | Heat Exchanger (U4846 pump) (was 1317521A) Includes sensors and hose clamp | 9039281A |
| 20 | Control Unit SG1577 12v Control Unit SG1577 24v | 9011398A 9011399A |
| Not Shown | Fuel Pump 12v Diesel – DP30.02 pump only - no damper (damper must be used) Fuel Pump 24v Diesel – DP30.02 pump only - no damper (damper must be used) Order Fuel damper kit for above if required | 1320292A 1320294A 478814 |
| Not Shown | Thermo 90 ST 12v Service Kit (contains Burner + tube with glowpin, flame detector & gasket set) – Diesel Only Thermo 90 ST 24v Service Kit (contains Burner + tube with glowpin, flame detector & gasket set) – Diesel Only | 4111830A 4111831A |

Water Heating Systems

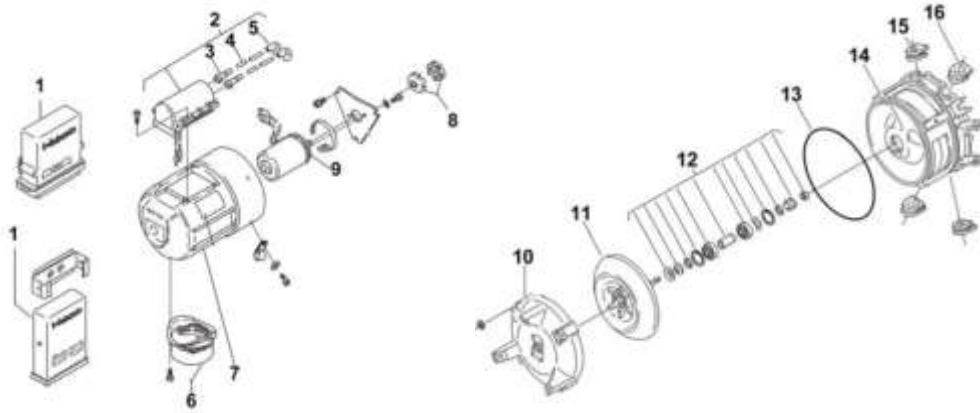
Thermo Pro 90 Water Heater Common Replacement Parts



| Item No | Description | Part No. |
|-----------|--|----------------------|
| 1 | Combustion Air Fan 12v Combustion Air Fan 24v | 1317514B 1317513B |
| 2 | Seal | 9026176A |
| 3 | Control Unit (ECU) 12v (SG1577-E3.6) Control Unit (ECU) 24v (SG1577-E3.6) | 1318925C 1318926C |
| 4 | Exhaust Temperature Sensor | 1317520A |
| 5 | Clamp | 1322856A |
| 6 | Temperature Sensor | 9010620A |
| 7 | Overheat Protection | 9010616A |
| 8 | Heat Exchanger (U4846 pump) (was 1317521A) Includes sensors and hose clamp | 9039281A |
| 9 | Water Pump 12v (U4840) Water Pump 24v (U4840) | 1317523A 1317522A |
| 10 | Mounting Part kit for Water Pump | 9026075A |
| 11 | Burner Tube | 1317515A |
| 12 | Burner 12v (including Glow pin) Burner 24v (including Glow pin) | 1317517A 1317516A |
| 13 | Glow pin 12v Glow pin 24v | 1317519A 1317518A |
| Not Shown | Water Pump Wiring Harness U4840 | 1318928A |
| 14 | Dosing Pump DP 42.4 (12v/24v) | 1324533A |
| 15 | P Clip | 21499A |

Water Heating Systems

DBW2010 Water Heater Common Replacement Parts Non Sensoric & Sensoric

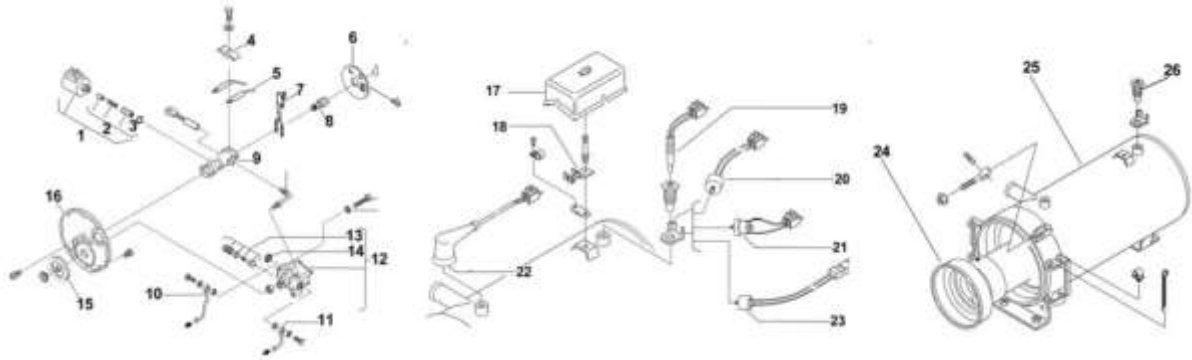


| Item No | Description | Part No. |
|-----------|---|----------------------------------|
| 1 | Control Unit 12v (Non Sensoric) Control Unit 24v (Non Sensoric) Control Unit 24v (Sensoric) | 9023417B 9023418A 1320904A |
| 2 | Electronic Ignition Unit 12v Electronic Ignition Unit 24v | 1320225A 1319242A |
| 3 | Socket (bag of 10) price per bag | 1321118A |
| 4 | High Tension Ignition Cable | 1321683B |
| 5 | Electrode Plug | NLA |
| 6 | Combustion Air Intake Socket 80dia. | 1320544A |
| 7 | Protection Hood | 436216 |
| 8 | Clutch Half (2 required) | 1320035C |
| 9 | Motor 12v Motor 24v | 9023885A 9023886A |
| 10 | Motor Support | 1320482A |
| 11 | Impellor & Shaft | 1322488A |
| 12 | Parts Kit for Mounting Shaft | 378313 |
| 13 | Gasket Ring | 1320047A |
| 14 | Blower Casing | 1322534A |
| 15 | Rubber Grommet LH (bag of 2) | 9035741A |
| 16 | Rubber Grommet RH | 1321018A |
| Not Shown | Water Pump 12v U4810 (pump only) – (was 458384) | 9024186B |
| Not Shown | Water Pump 24v U4810 (pump only) | 9024185B |

For DBW 2016 spares, please refer to spare parts manual

Water Heating Systems

DBW2010 Water Heater Common Replacement Parts Non Sensoric Only

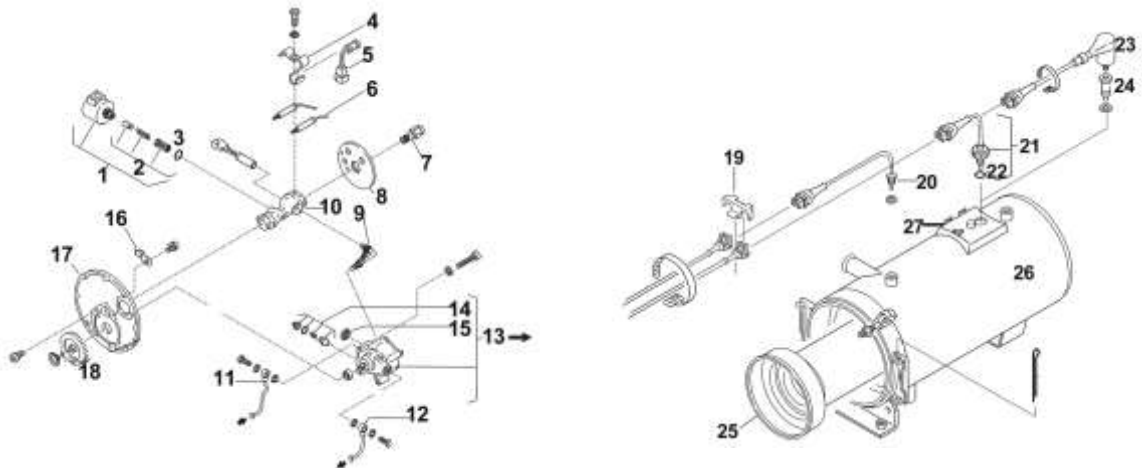


| Item No | Description | Part No. |
|-----------|---|----------------------|
| 1 | Magnetic Coil 12v Magnetic Coil 24v | 1319359A 1319360A |
| 2 | Small Parts Kit for Magnetic Coil | 1319389A |
| 3 | Gasket Ring | 1321116A |
| 4 | Electrode Clamp | 1321123A |
| 5 | Ignition Electrode (Sold as a Pack of 2) | 1320801B |
| 6 | Washer | 88771A |
| 7 | Flame Detection Photocell | 1319302A |
| 8 | High Pressure Nozzle 7 Bar | 1319513A |
| 9 | Nozzle Holder | 1320247A |
| 10 | Fuel Supply Line | 1320787A |
| 11 | Fuel Return Line – Was 345288 | NLA |
| 12 | Fuel Pump 7 Bar | 66546A |
| 13 | Pressure Control Valve | 1320547A |
| 14 | Filter | 1319357A |
| 15 | Straight Spur Gear | 1320041A |
| 16 | Nozzle Holder Plate | 1320524A |
| 17 | Protection Cap | 487627 |
| 18 | Connector Clip | 1320480A |
| 19 | Overheat Fuse (Brown Cable) 122°C Overheat Fuse (Yellow Cable) 138°C | 1319405A 1319406A |
| 20 | Control Thermostat (Green/Red Cable) 75°C | 1320251A |
| 21 | Overheat Protection (Green Cable) 117°C | 1319410A |
| 22 | Control Thermostat (Green/Red Cable) 75°C | 1320964A |
| 23 | Blower Thermostat (Blue/Brown Cable) 40°C | 1319169A |
| 24 | Combustion Chamber | 1322475A |
| 25 | Heat Exchanger Downward Exhaust | 1322498A |
| 26 | Locking Screw Fitting | 1321117A |
| Not Shown | Wiring harness non sensoric | 1319374A |

For DBW 2016 spares, please refer to spare parts manual

Water Heating Systems

DBW2010 Water Heater Common Replacement Parts Sensoric Only

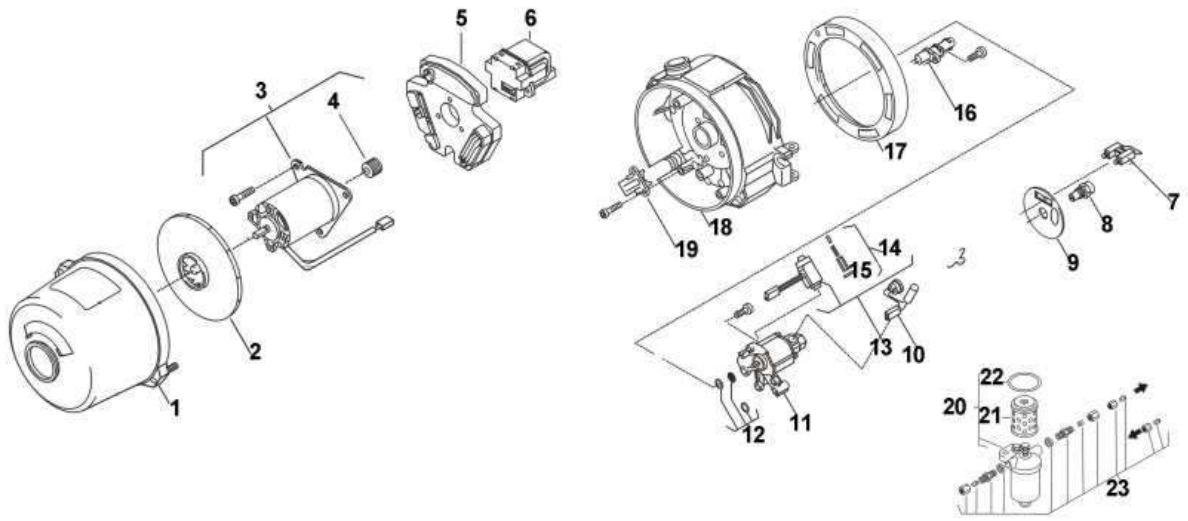


| Item No | Description | Part No. |
|-----------|--|----------------------|
| 1 | Magnetic Coil 12v Magnetic Coil 24v | 1319359A 1319360A |
| 2 | Small Parts Kit for Magnetic Coil | 1319389A |
| 3 | Gasket Ring | 1321116A |
| 4 | Support Bracket | 1320237A |
| 5 | Flame Detection Photocell | 1321211A |
| 6 | Ignition Electrode (Sold as a Pack of 2) | 1320801B |
| 7 | High Pressure Nozzle – 7 bar | 1319513A |
| 8 | Washer | 88772A |
| 9 | Pressure Pipe | 1320145A |
| 10 | Nozzle Holder | 1320247A |
| 11 | Fuel Supply Line | 1320787A |
| 12 | Fuel Return Line – Was 345288 | NLA |
| 13 | Fuel Pump | 66546A |
| 14 | Pressure Control Valve | 1320547A |
| 15 | Filter | 1319357A |
| 16 | Not available | - |
| 17 | Nozzle Holder Plate | 1320524A |
| 18 | Straight Spur Gear | 1320041A |
| 19 | Connector Plug Clip | 1321040A |
| 20 | Control Thermostat | 106123 |
| 21 | Overheat Fuse 138°C | 1319480A |
| 22 | Gasket Ring | 1320049A |
| 23 | Overheat Protection 117°C | 1320526A |
| 24 | Adaptor Fitting | 1320479A |
| 25 | Combustion Chamber | 1322475A |
| 26 | Heat Exchanger (Downward Exhaust) | 1322665A |
| 27 | Console | 1319598A |
| Not Shown | Wiring Harness – Sensoric | 1320309A |

For DBW 2016 spares, please refer to spare parts manual

Water Heating Systems

Thermo 230 / Thermo 300 / Thermo 350 Water Heaters Common Replacement Parts



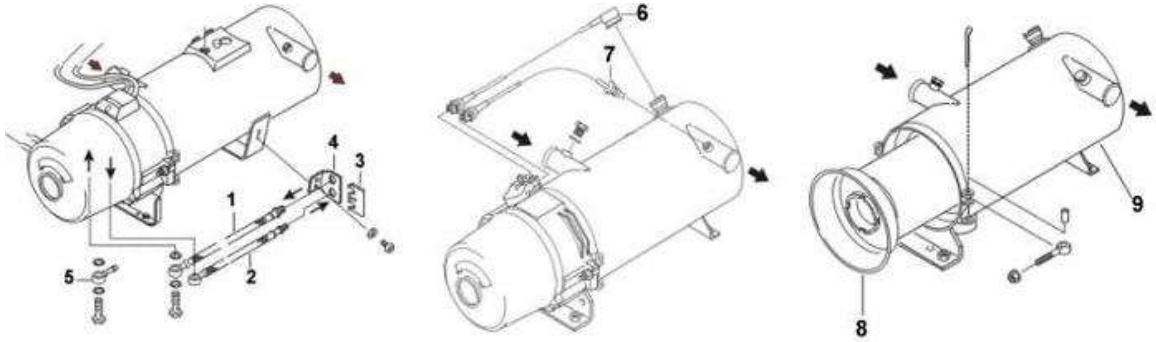
| Item No | Description | Model | Part No. |
|-----------|--|--|----------------------------------|
| Not Shown | Replacement Burner Replacement Burner Replacement Burner | Thermo 230 Thermo 300 Thermo 350 | 65475C 65476E 65477D |
| 1 | Hood | All | 1320318B |
| 2 | Fan Rotor | All | 1320583A |
| 3 | Drive Assembly 24v Drive Assembly 24v Drive Assembly 24v | Thermo 230 Thermo 300 Thermo 350 | 1319990B 1319991B 1319992A |
| 4 | Clutch | All | 1321022A |
| 5 | Electronic Control Unit 24v SG1572D | All | 1320405B |
| 6 | Electronic Ignition Unit 24v | All | 1320252A |
| 7 | Ignition Electrode | All | 1319545A |
| 8 | High Pressure Nozzle High Pressure Nozzle High Pressure Nozzle | Thermo 230 Thermo 300 Thermo 350 | 1319452A 1319453A 1319451A |
| 9 | Washer | All | 1320181A |
| 10 | Heating Element c/w Thermostat | All | 1320444A |
| 11 | Fuel Pump 24v DW230-350 | All | 9810200B |
| 12 | Parts Kit for Fuel Pump | All | 1322637A |
| 13 | Magnetic Coil 24v | All | SPH11117507A |
| 14 | Parts Kit for Magnetic Coil | All | 1319389A |
| 15 | Gasket Ring | All | 1321116A |
| 16 | Flame Detector Photocell | All | 1320504A |
| 17 | Adjusting Ring | All | 1319599A |
| 18 | Housing – Was 1320006B | All | NLA |
| 19 | Core Grip (2 Required) – Price each | All | 1320099A |
| 20 | Fuel Filter | All | 1319291A |
| 21 | Strainer | All | 1320031A |
| 22 | Gasket Ring | All | 1319706A |
| 23 | Parts Kit for Filter | All | 1320539A |

Water Heating Systems

Thermo 230 / Thermo 300 / Thermo 350

Water Heaters

Common Replacement Parts

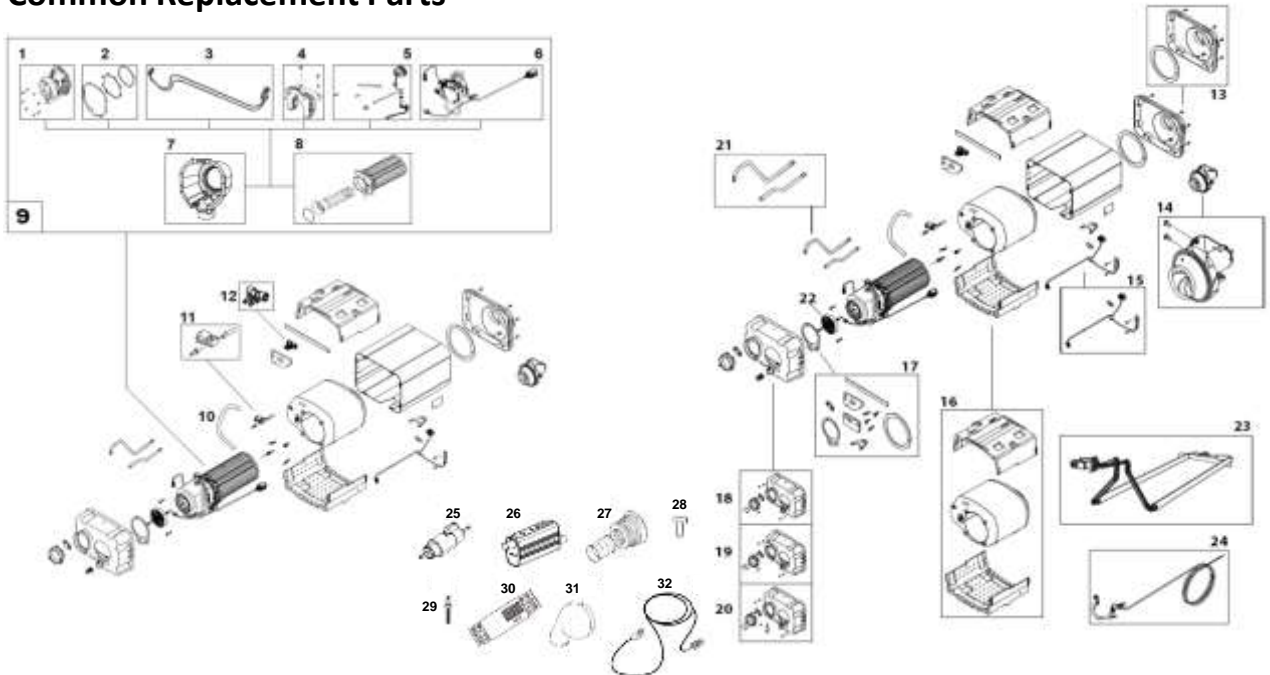


| Item No | Description | Heater Model | Part No. |
|---------|----------------------------------|--------------|----------|
| 1 | Fuel Supply Line | All | 1319730A |
| 2 | Fuel Return Line | All | 1319731A |
| 3 | Clamp | Thermo 300 | 362115 |
| 4 | Hose Support - 1320053A | Thermo 300 | 463027Z |
| 5 | Banjo Bolt (2 required) | All | 1320868A |
| 6 | Overheat Protection (Blue) 120°C | All | 1319960A |
| 7 | Temperature Sensor | All | 1319548A |
| 8 | Combustion Chamber | All | 9810282A |
| 9 | Heat Exchanger | All | 9810040A |

Integrated Heating Systems

Dual Top Evo/ST 6 /Dual Top Evo/ST 8 Common Replacement Parts

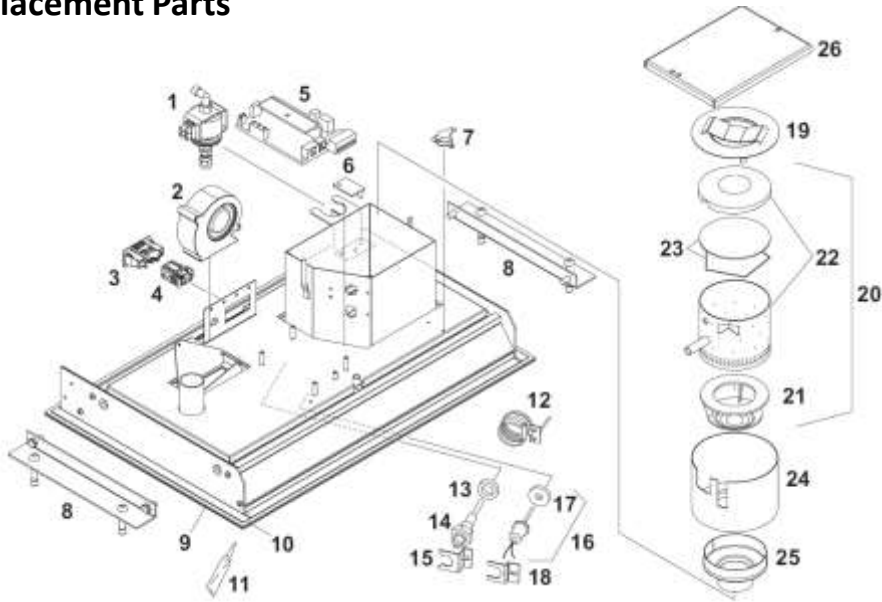
All parts except boiler are available



| Item No | Description | Part No. |
|-----------|--|----------------------|
| 1 | Combustion/Cooling Fan Dual Top Evo/ST 6 / 8 | 9019409D |
| 2 | Gasket set thermo unit Dual Top Evo/ST 6 / 8 | 9019415C |
| 3 | Overheat protector | 9019413B |
| 4 | Control Unit Dual Top Evo/ST 6 Control Unit Dual Top Evo/ST 8 | 9019410D 1314769C |
| 5 | Burner c/w Glowpin Dual Top ST/Evo 6 / 101 /102 Glowpin only | 9019412B 1314150A |
| 6 | Wiring Harness (Internal) Dual Top Evo/ST 6 / Dual Top Evo/ST 8 | 9019411B |
| 7 | Cooling Shell Dual Top Evo/ST 6 / Dual Top Evo/ST 8 | 9019425B |
| 8 | Heat exchanger Dual Top Evo/ST 6 / Dual Top Evo/ST 8 | 9019414C |
| 9 | Thermo unit Dual Top Evo/ST 6 Thermo unit Dual Top Evo/ST 8 | 9019946G 1314758E |
| 10 | Drain tube Dual Top Evo 6 / Dual Top Evo 8 Drain tube Dual Top ST 6 / Dual Top ST 8 | 9019422B 9042490A |
| 11 | Boiler Drainage Solenoid Valve Dual Top Evo/ST 6 / Dual Top Evo/ST 8 | 9020710B |
| 12 | Valve Air Ventilation/Overpressure | 9019405B |
| 13 | End Cap Dual Top Evo/ST 6 / Dual Top Evo/ST 8 | 9019402C |
| 14 | Heating Air Blower Assy c/w PWM Dual Top Evo/ST 6 / Dual Top Evo/ST 8 | 9019404C |
| 15 | Sensor wiring harness Dual Top Evo/ST 6 / Dual Top Evo/ST 8 | 9019400B |
| 16 | Stainless Steel Boiler Replacement kit – All Models includes all parts needed – (see latest parts manual) | 1328311C |
| 17 | Gasket Set Basic Heater Dual Top Evo 6 / Dual Top Evo 8 Gasket Set Basic Heater Dual Top ST 6 / Dual Top ST 8 | 9019406B 9042489A |
| 18 | Service Cap Dual Top Evo/ST 6 | 9019399A |
| 19 | Service Cap Dual Top Evo/ST 6 / Dual Top Evo/ST 8 Diving pump version | 1315165A |
| 20 | Service Cap RHA Dual Top Evo/ST 8 | 9019654B |
| 21 | Water pipes Dual Top Evo 6 / Dual Top Evo 8 (2 pieces) Water pipes Dual Top ST 6 / Dual Top ST 8 (2 pieces) | 1314773A 1328310B |
| 22 | Air Intake Grille Dual Top Evo/ST 6 / Dual Top Evo/ST 8 | 9019423B |
| 23 | Mains Heating Element Kit Dual Top Evo/ST 8 (2 pieces) | 9020714A |
| 24 | Wiring harness tubular heater 230v Dual Top Evo/ST 8 | 9019653B |
| 25 | Dosing pump 40.2 12v Dual Top Evo/ST 6 / Dual Top Evo/ST 8 | 9019418C |
| 26 | Exhaust Silencer Dual Top Evo/ST 6 / Dual Top Evo/ST 8 | 1314770B |
| 27 | Rubber Bellow Assembly Dual Top Evo/ST 6 / Dual Top Evo/ST 8 | 9018647C |
| 28 | Hammer Screws (qty 6) – Bag of 6 | 9019424B |
| 29 | Bag with Screws RHA Dual Top Evo/ST 8 | NLA |
| 30 | Relay Box RHA Dual Top Evo/ST 8 230v | 1314772B |
| 31 | Air Intake Cover (D60) Dual Top Evo/ST 6 / Dual Top Evo/ST 8 | 1314904A |
| 32 | External Temperature Sensor Dual Top Evo/ST 6 / Dual Top Evo/ST 8 | 9019417B |
| Not Shown | Dual Top Dual Top Evo/ST 6 / 812v Service Kit (incl burner & gasket set) | 4111825A |
| Not Shown | Seal – Boiler (Dual Top) | 1320955A |

Accessories

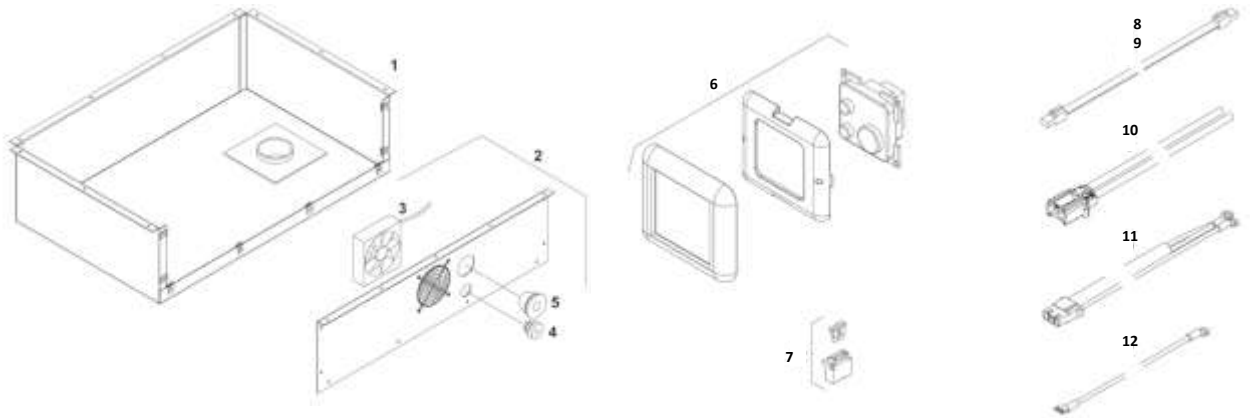
Diesel Cooker X100 Common Replacement Parts



| Item No | Description | Part No. |
|---------|--|-------------|
| 1 | Fuel Pump FC1 | WA601948 |
| 2 | Combustion Blower | WA850205 |
| 3 | Mounting flange for power connector | WA854398 |
| 4 | Terminal block male for power connector | WA854397 |
| 5 | Control unit XPS | WA40130 |
| 6 | Hot plate indication LED | WA40140 |
| 7 | Overheat thermostat complete incl wire set | WA111685 |
| 8 | Table mounting bracket (Qty 2) | WA602570 |
| 9 | CERAN® Glass plate | WA602593 |
| 10 | Gasket for CERAN® Glass plate – 2.5m Long | WA362597 |
| 11 | Silicone glue for CERAN® Glass plate – 300ml | 3397578A |
| 12 | Fuel pipe - Copper | WA301150 |
| 13 | Gasket for Glowpin | WA300194 |
| 14 | Glowpin | WA853513 |
| 15 | Fixing bracket for Glowpin | WA300165 |
| 16 | Thermo element T4 + gasket | WA36400 |
| 17 | Gasket for thermo element T4 | WA300163 |
| 18 | Fixing bracket for thermo element T4 | WA602376 |
| 19 | Reflector plate 1 | WA602714 |
| 20 | Burner Cylinder Assembly | WA602211 |
| 21 | Radiation element | WA260114 |
| 22 | Burner Cylinder | WA602216 |
| 23 | Burner matting 85mm diameter with spring | WA36098 |
| 24 | Burner outer cylinder | WA300115 |
| 25 | Not available | - |
| 26 | Burner chamber bottom section | WA601928KOK |

Accessories

Diesel Cooker X100 Common Replacement Parts



| Item No | Description | Part No. |
|---------|--|------------|
| 1 | Ventilation box | WA602697 |
| 2 | Front plate assembly | WA602698 |
| 3 | Ventilation fan | WA36207 |
| 4 | Seal 25mm diameter | WA401119 |
| 5 | Seal 38mm diameter | WA401120 |
| 6 | Operating Panel | WA40125A |
| 7 | Fuse Kit – 15A | 3200432A |
| 8 | Operating panel wiring harness 2m long | WA854016 |
| 9 | Wiring harness for high altitude switch | WA854014 |
| 10 | Main Power cable with connectors 4m long | WA854192 |
| 11 | Wiring harness for Glowpin | WA854006-B |
| 12 | Grounding wiring harness | WA300790 |

| | |
|---|---|
| 1 | <p>Definitions and Interpretation</p> <p>1.1 In these Conditions the following words have the following meanings: "the Company" means Website Terms & Content UK Ltd (Registered No: 2161825) whose registered office is at Website House, White Rose Way, Doncaster City, South Yorkshire; "Contract" means the contract between the Company and the Customer for the sale of Goods and/or provision of Services, incorporating these Conditions; "the Customer" means the person(s), firm or company who purchases the Goods and/or Services from the Company; "Goods" means any goods agreed in the Contract to be supplied to the Customer by the Company (including any part or parts of them); "Services" means any Services agreed in the Contract to be supplied to the Customer by the Company; "Working Day" means any day except Saturday, Sunday or a bank holiday, public or statutory holiday in England; in these Conditions references to any statute or statutory provision shall, unless the context otherwise requires, be construed as a reference to that statute or statutory provision as from time to time amended, consolidated, re-enacted, extended, re-issued, suspended or replaced;</p> <p>1.2 Each order for Goods or Services by the Customer from the Company shall be deemed to be an offer by the Customer to purchase Goods or Services subject to these Conditions.</p> <p>1.3 In these Conditions references to a gender include every gender, reference to persons include an individual, company, corporation, firm or partnership and reference to the singular include the plural and vice versa on the context admits or requires.</p> <p>1.4 Headings are for ease of reference only and shall not affect the construction of these Conditions 2</p> |
| 2 | <p>Application of Terms</p> <p>2.1 Subject to any variation under Condition 2.2 the Contract will be subject to these Conditions to the exclusion of all other terms and Conditions (including any terms or Conditions which the Customer purports to apply under any purchase order, confirmation of order, specification or other document whatsoever).</p> <p>2.2 Any variation to these Conditions and any representations about the Goods or Services shall have no effect unless expressly agreed in writing and signed by a director of the Company.</p> <p>2.3 Each order for Goods or Services by the Customer from the Company shall be deemed to be an offer by the Customer to purchase Goods or Services subject to these Conditions.</p> <p>2.4 No order placed by the Customer shall be deemed to be accepted by the Company until written acknowledgement of order is issued by the Company or (if earlier) the Company commences manufacture or dispatch of the Goods to the Customer. Any order shall be accepted entirely at the discretion of the Company.</p> <p>2.5 The Customer must ensure that the Terms of its order and any applicable specification are complete and accurate.</p> <p>2.6 Any quotation or estimate is given subject to these Conditions. Without prejudice to the Company's right not to accept an order, quotations will be valid for 30 days from date of issue.</p> <p>2.7 The Customer can only cancel an order for goods or services if the Company has already accepted, with the Company's prior agreement in writing and provided that the Customer indemnifies the Company in full in terms established by the Company. The Company is not bound to agree to any such cancellation and may complete such order even if the Customer claims to cancel the order.</p> |
| 3 | <p>Delivery of the Goods and Services</p> <p>3.1 The delivery of the Goods or Services shall be subject to the Company's acknowledgement of order, in its absence the Company's quotation.</p> <p>3.2 All drawings, descriptive matter, specifications and advertising issued by the Company and any descriptions or illustrations contained in the Company's catalogues or brochures are issued or published for the sole purpose of giving an approximate idea of the Goods or Services described in them and they will not form part of the Contract.</p> |
| 4 | <p>Delivery and Acceptance of Goods</p> <p>4.1 Unless otherwise agreed in writing by the Company delivery of the Goods shall take place at the Customer's place of business.</p> <p>4.2 The Customer will take delivery of the Goods within 7 days of the Company giving notice that the Goods are ready for delivery.</p> <p>4.3 Any dates identified by the Company for delivery of the Goods are intended to be an estimate and time for delivery shall not be made of the essence by law. If no dates are specified, delivery will be within a reasonable time.</p> <p>4.4 Subject to the other provisions of these Conditions the Company will not be liable for any loss (including interest, profit, costs, damages, charges or expenses caused directly or indirectly by any delay in the delivery of the Goods (even if caused by the Company's negligence), nor will any delay entitle the Customer to terminate or rescind the Contract unless such delay exceeds 30 days.</p> <p>4.5 If for any reason the Customer does not accept delivery of any of the Goods when they are ready for delivery, or the Company is unable to deliver the Goods on time because the Customer has not provided appropriate instructions, documents, licences or authorisations then the Goods will be deemed to have been delivered, notwithstanding to the Customer (including for loss or damage caused by the Company's negligence) and the Company may:</p> <ul style="list-style-type: none"> (a) store the Goods until such delivery whereupon the Customer will be liable for all related costs and expenses (including without limitation storage and insurance); or (b) sell the Goods at the best price reasonably obtainable and after deduction of all reasonable storage and selling expenses account to the Customer for any excess over the price under the Contract or charge the Customer for any shortfall below the price under the Contract. <p>4.6 The Customer will provide at its expense at the place of delivery adequate and appropriate equipment and manual labour for loading the Goods.</p> <p>4.7 If the Company delivers to the Customer a quantity of Goods of up to 10% more or less than the quantity accepted by the Company the Customer shall not be entitled to object to or reject the Goods or any of them by reason of the surplus or shortfall and shall pay for such goods at the pro rata Contract rate.</p> <p>4.8 The Company shall be entitled at its discretion to make delivery of the Goods by instalments and to require the Customer for each instalment deposit first. Where the Goods are to be delivered in instalments, each delivery shall constitute a separate contract and failure by the Company to deliver any one or more of the instalments in accordance with these Conditions or any claim by the Customer in respect of any one or more instalments shall not entitle the Customer to treat the Contract as a whole as repudiated or to refuse to accept subsequent instalments.</p> <p>4.9 The quantity of any consignment of Goods as received by the Company upon dispatch from the Company's place of business shall be conclusive evidence of the quantity received by the Customer on delivery unless the Customer can provide conclusive evidence proving the contrary.</p> <p>4.10 The Company shall not be liable for any non-delivery of Goods (even if caused by the Company's negligence) unless written notice is given to the Company within 7 days and oral notice by telephone to the Company within 48 hours of the date when the Goods were due. The ordinary course of events shall have been delivered.</p> <p>4.11 Any liability of the Company for non-delivery of the Goods shall be limited to replacing the Goods within a reasonable time or issuing a credit not at the pro rata Contract rate against any invoice raised for such Goods.</p> <p>4.12 Subject to Condition 4.13 the Customer will be deemed to have accepted the Goods as being in accordance with the Contract unless, within 14 days of the date of delivery of the Goods, the Customer notifies the Company in writing of any defect or other failure of the Goods to conform with the Contract which would be apparent upon reasonable inspection and testing of the Goods within 14 days (or within a reasonable time where the defect or failure would not be so apparent), failing which the Customer shall not be entitled to reject the Goods and the Company shall have no liability for such defect or failure, and the Customer shall be bound to pay the price as if the Goods had been delivered in accordance with the Contract.</p> <p>4.13 Where the Customer agrees to deliver the Goods at premises other than the Customer's the Company shall have no liability for damage caused by the carrier or caused in transport or loading or unloading unless the Company is notified of that damage within 2 Working Days of delivery.</p> <p>4.14 Goods, once delivered may not be returned, unless agreed in advance in writing to the Company, and subject to the following conditions:</p> <ul style="list-style-type: none"> (a) Goods are returned in a new and unused condition; (b) Any packaging remains unbroken and in reasonable condition; (c) Returns are made within 3 weeks of delivery of those Goods, all transport and other costs paid by the Customer; (d) Payment by the Customer to the Company of a restocking charge of 20% of the net invoice value of the returned Goods; (e) Returned goods shall be accompanied by a written receipt of receipt number, date and valid reasons for return. <p>4.15 Standard Orders - The following provisions will apply where the Company supplies the goods under a standard order received from the Customer:</p> <ul style="list-style-type: none"> (a) If the order is a scheduled order where the maximum quantity of goods required and the approximate dates (including the terminal date) or which the requirements will be taken off are specified, the whole order will be treated as a single contract upon the contract terms. (b) If the order is a non-scheduled order where the maximum quantity of goods required or where the approximate cut off dates are not specified, each cut off will be deemed to constitute a separate contract upon the Contract Terms. <p>4.16 Without limiting the generality of any of the other Contract Terms the Company will not be under any liability to the Customer if at the time of any call off by the Customer the Company is unable for whatever reasons to supply goods in accordance with the Customer's requirements.</p> <p>4.17 Design etc.</p> <ul style="list-style-type: none"> (a) Where the goods are manufactured in accordance with information or drawings supplied by the Customer or to its design or specification or where standard goods of the Company are altered in accordance with the Customer's instructions: <ul style="list-style-type: none"> (i) no guarantee or warranty is given by the Company as to the particular, efficiency, safety or otherwise of the Goods thus being without prejudice to any other of the Contract Terms; & The Customer will indemnify and keep the Company indemnified against all liability incurred by the Company as a result of such Goods infringing any patent, registered design, copyright or other intellectual property or regulation for the time being in force; (ii) No variation by the Company in the specification or design of any Goods shall constitute a breach of contract or impose upon the Company any liability whatsoever; (b) The Company is not responsible to the Customer in respect of any loss, damage or claim incurred by or made against the Customer should any goods supplied by the Company infringe any patent, registered design, copyright or other intellectual property or the provision of any statute, statutory instrument or regulation for the time being in force; (c) Unless otherwise agreed in writing at orders, drawings, tools, electronic data, etc. produced by or on behalf of the Company shall remain the property of the Company. |
| 5 | <p>Risk and Legal Title</p> <p>5.1 The Goods shall be at the risk of the Customer from the time of delivery.</p> <p>5.2 If legal beneficial and equitable title to and property in the Goods shall remain vested in the Company (even though they have been delivered and risk has passed to the Customer) until:</p> <ul style="list-style-type: none"> (a) payment in full, in cash or cleared funds, for all the Goods has been received by the Company; and (b) all other monies payable to the Customer by the Company as an other account or under the Contract or any other contract has been received by the Company. <p>5.3 Liability to and property in the Goods passes to the Customer:</p> <ul style="list-style-type: none"> (a) the Customer shall hold the Goods on a fiduciary basis as the Company's bailee; (b) the Customer shall store the Goods at its premises in a proper manner in conditions which adequately protect, preserve the Goods and insure them without any charge to the Company and not tamper with any identification upon the Goods or their packaging and shall ensure that they are stored adequately free from any other goods whether or not supplied by the Company and are clearly identified as belonging to the Company and the Company shall be entitled to order any such Goods in storage at any time during normal business hours upon giving the Customer reasonable notice of its intention to do so; (c) the Company may at any time on demand and without notice require the Customer to deliver the Goods up to the Company and the Company may repossess and reallocate the Goods if any of the events specified in Condition 14 or occur or if any sum due to the Company from the Customer under the Contract or on any other account or under any other contract is not paid when due; (d) for the purposes of the Condition 5 the Company, its employees and agents will be entitled to free and unrestricted access to any premises owned, occupied or controlled by the Customer and/or any other location where any of the Goods are allocated at any time without prior notice; (e) the Company shall be entitled to mark, as seen, against the Customer for the price of the Goods notwithstanding that title to and property in the Goods has not passed to the Customer; and (f) the Company hereby authorises the Customer to use and sell the Goods in the normal course of the Customer's business and to pass good title in the Goods to its customers if they are purchasers in good faith without notice of the Company's rights. This right shall automatically cease on the occurrence of any event set out in Condition 14 and/or if any sum due to the Company by the Customer is not paid when due. If the Customer sells the Goods prior to paying the full price thereof the Customer shall hold the proceeds of sale on trust for the Company and shall immediately pay the proceeds of sale into a separate bank account. The Company shall be entitled to call upon the Customer to assign all claims that it may have against purchasers of the Goods from the Customer. <p>5.4 The Company's rights and remedies set out in this Condition 5 are in addition to and shall not in any way prejudice, limit or restrict any of the Company's other rights or remedies under the Contract or in law or equity.</p> |
| 6 | <p>Services</p> <p>6.1 If the Contract includes the Company undertaking Services, then such Services shall be on the terms of the exclusions set out in Condition 8, 9 and 10 and the variations set out in Conditions 6.2 and 6.3.</p> <p>6.2 The Company warrants that it will carry out the Services under the Contract with reasonable care and skill. This warranty will be the only warranty given in respect of such Services.</p> <p>6.3 Where the Company is to perform the Services of the Customer's premises, the Customer shall provide safe access to the premises and the provision of adequate power, lighting, heating and other such facilities as supplies for the Company's employees or agents in accordance with the demands of any applicable legislation and as the Company shall reasonably require.</p> <p>6.4 The Services will be deemed completed and the relevant element of the price accordingly due and payable forthwith when the Company issues a written notice to the Customer confirming such completion or if the Company is unable to perform the Services full is prevented from doing so by reason of:</p> <ul style="list-style-type: none"> (a) the lack of relevant assistance from the Customer (such as lack of availability of key components or parts from the Customer); and/or (b) the condition of the installation site and/or the facilities or the services available there at the time of agreed provision of the Services. |
| 7 | <p>Price</p> <p>7.1 Unless otherwise agreed by the Company in writing the price for the Goods or Services shall be the price set out in the Company's price list published on the date of delivery or deemed delivery of the Goods, or completion of performance of the Services.</p> <p>7.2 Unless agreed otherwise the price for the Goods shall be exclusive of any value added tax or other similar taxes or levies and of costs or charges in relation to loading, unloading, carriage and insurance all of which amounts the Customer will pay in addition when it is due to the Goods.</p> |
| 8 | <p>Payment</p> <p>8.1 Payment of the price for the Goods and/or Services is due 30 days after the earlier of the delivery of Goods or provision of Services, or date of invoice.</p> <p>8.2 Time for payment shall be of the essence.</p> <p>8.3 No payment shall be deemed to have been received until the Company has received cleared funds.</p> <p>8.4 All payments payable to the Company under the Contract shall become due immediately upon termination of the Contract despite any other provision.</p> <p>8.5 The Customer shall make all payments due under the Contract without any deduction whether by way of set-off, counterclaim, discount, abatement or otherwise unless the Customer has a valid court order regarding an amount equal to such deduction to be paid by the Company to the Customer.</p> <p>8.6 If payments received from the Customer are not stated to refer to a particular invoice, the Company may appropriate such payment to any outstanding invoice addressed to the Customer from the Company.</p> <p>8.7 The Company may withdraw any trade facilities granted to it to the Customer at its sole discretion at any time.</p> <p>8.8 If any sum due from the Customer to the Company under the Contract or any other contract is not paid on or before the due date for payment then all sums then owing by the Customer to the Company shall become due and payable immediately and, without prejudice to any other right or remedy available to the Company, the Company shall be entitled to:</p> <ul style="list-style-type: none"> (a) cancel all remaining its performance of the Contract or any order including suspending delivery of the Goods and suspending provision of any other Services and any other goods to the Customer and suspending provision of the Services until arrangements as to payment or credit have been established which are satisfactory to the Company; (b) appropriate any payment made by the Customer to such of the Goods or such of the Services (or any goods or services supplied under any other contract between the Customer and the Company) as the Company may think fit; (c) require the Customer to pay for Goods prior to their dispatch or collection from the Company's premises; (d) suspend performance of Services remaining to be carried out; and (e) charge the Customer; (f) interest calculated on a daily basis at all overnight amounts (both before and after judgment) until actual payment at the rate of eight per cent (8%) per annum above the base lending rate of Barclays Bank Plc prevailing from time to time until payment is made in full; (g) the cost of obtaining judgment or payment to include all reasonable professional costs (including legal fees) and other costs of issuing proceedings or otherwise pursuing a debt recovery procedure. |

| | | |
|--|---|---|
| 8 | Quality | |
| 8.1 | | <p>If the Customer establishes to the Company's reasonable satisfaction that there is a defect in the materials or workmanship of the Goods manufactured or there is some other failure by the Company in relation to the conformity of the Goods with the Contract or the Services have not been performed with reasonable care and skill then the Company shall at its option and within a reasonable time of its own discretion either:</p> <p>(a) repair or make good such defect or failure in such Goods or re-perform such Services free of charge to the Customer (including all costs of transportation of any Goods or materials to and from the Customer for that purpose);</p> <p>(b) replace such Goods with Goods which are in all respects in accordance with the Contract; or</p> <p>(c) issue a credit note to the Customer in respect of the whole or part of the purchase price of such Goods or Services as appropriate having taken back such Goods or materials relating to such Services subject in every case to the remaining provisions of this Condition 9 provided that the liability of the Company under this Condition 9 shall in no event exceed the purchase price of such Goods or Services and performance of anyone of the above options shall constitute an entire discharge of the Company's liability under the warranty.</p> |
| 8.2 | | <p>Condition 9.1 shall not apply unless the Customer:</p> <p>(a) notifies the Company in writing of the alleged defect within 7 days of the time when the Customer discovers or ought to have discovered the defect and in any event within 12 months of the delivery of the Goods or 3 months of performance of Services to the Customer or such other periods as agreed by the Company in writing; and</p> <p>(b) affords the Company a reasonable opportunity to inspect the relevant Goods or the location at which the Services were performed and, if so requested by the Company and where it is reasonable to do so, promptly return to the Company or such other person nominated by the Company a sample of the Goods or materials relating to the Services within 14 days, (sample paid by the Customer, for inspection, examination and testing and otherwise permit the Company to have access to the Goods or such materials at the Customer's premises or other location where they may be or the Services were performed for such purposes.</p> <p>If the Company wishes to replace the Goods or re-perform the Services the Company shall deliver the replacement Goods to or re-perform the Services for the Customer at the Company's own expense at the address to which the defective Goods were delivered and the title to the defective Goods which are being replaced shall if it has vested in the Customer) revert to the Company and the Customer shall make any arrangements as may be necessary to deliver up to the Company the defective Goods which are being replaced or materials relating to the previously performed Services to the Company.</p> <p>(c) in respect of any defect arising from fire or war and fear, willful damage, negligence, abnormal working conditions, failure to follow the Company's instructions (whether oral or in writing), failure to follow the Company's recommended maintenance programme, misuse or alteration in repair of the Goods without the Company's approval,</p> <p>(d) if the total price for the Goods or Services has not been paid by the due date for payment;</p> <p>(e) for any parts, materials or equipment not manufactured by the Company, in respect of which the Customer shall only be entitled to the benefit of any such warranty or guarantee as is given by the manufacturer to the Company to the extent to which it is assignable;</p> <p>(f) in respect of any components or types of wear specifically endorsed by the Company in writing; or</p> <p>(g) if the Goods were not correctly installed in accordance with the Company's instructions, or were not installed by an installer approved by the Company.</p> |
| 8.3 | | <p>The terms of Condition 9 are subject to any amendment or superseding warranty made by notice in writing from the Company to the Customer.</p> |
| 8.4 | | |
| 8.5 | | |
| 9 | Limitation of Liability | |
| 10.1 | | <p>Subject to Condition 9, the following provisions shall limit the entire liability of the Company (including any liability for the acts or omissions of its employees, agents and sub-contractors) to the Customer in respect of:</p> <p>(a) any breach of these Conditions of the Contract; and</p> <p>(b) any representation, statement or tortious act or omission (including negligence arising under or in connection with the Contract).</p> |
| 10.2 | | <p>All warranties, conditions and other terms implied by statute or common law (save for the conditions implied by, in relation to Goods, section 12 of the Sale of Goods Act 1979 and, in relation to Services, Section 2 of the Supply of Goods and Services Act 1982) are, to the fullest extent permitted by law, excluded from the Contract.</p> |
| 10.3 | | <p>Ingress in breach of Conditions 9 or failure to the Company for death or personal injury caused by the Company's negligence, or fraudulent misrepresentation (save that in respect of any fraudulent misrepresentation, the Customer's remedy shall be limited to damages).</p> |
| THE CUSTOMER'S ATTENTION IS HEREBY PARTICULARLY DRAWN TO THE PROVISIONS OF CONDITION 10.4 | | |
| 10.4 | | <p>Subject to Conditions 10.2 and 10.3:</p> <p>(a) the Company's total liability in contract, tort (including negligence or breach of statutory duty), misrepresentation or otherwise, arising in connection with the performance or contemplated performance of this Contract shall be limited to 100% of the price of the Goods/Services in respect of which the Customer suffered or incurred such loss or damage; and</p> <p>(b) the Company shall not be liable to the Customer for any loss of profit or other economic loss (direct or indirect, indirect or consequential loss or damage, costs, expenses or other claims for consequential compensation whatsoever (howsoever caused) or loss or damage contractual, tortious, breach of statutory duty or otherwise) which arise out of or in connection with the Contract, or for any liability incurred by the Customer to any other person for any economic loss (howsoever caused) or damages whatsoever arising from the Goods, Services or otherwise.</p> |
| 10.5 | | <p>The price of the Goods/Services has been calculated on the basis that the Company will exclude or limit its liability as set out in the Contract and the Customer by placing an order agrees and warrants that the Customer shall insure against or bear itself any loss for which the Company has excluded or limited its liability in the Contract and the Company shall have no further liability to the Customer.</p> |
| 11 | Warranty | |
| 11.1 | | <p>The Customer shall comply at all times with the written instructions and all written guidelines issued from time to time attached to the Goods concerning their storage, application, installation, repair, maintenance and use and the Customer shall refer to employees and its customers to such instructions and guidelines. The Customer shall ensure that the Goods are only installed by those persons approved by the Company.</p> |
| 11.2 | | <p>The Customer should satisfy itself that the persons responsible for the storage, application, installation, use, repair or maintenance of any Goods supplied by the Company have all the information required on health and safety and the Company shall not be responsible to the Customer in any and all circumstances for the Company's liability in respect of a breach of the user instructions or any health and safety regulations, orders or directions made pursuant to the Health & Safety at Work Act 1974 or any other directive regulation order or other instrument relating to health and safety where such exclusion of liability is permitted by law.</p> |
| 11.3 | | <p>If the Company notifies the Customer in writing of any defect in the Goods previously delivered to the Company at Services previously performed at any time or any error or omission in the instructions for the use and/or assembly or installation of the Goods (whether or not any such defect, error or omission represents a breach of the warranty in Condition 8 or 9 or any other provision of the Contract) which exposes or may expose consumers to any risk of death, injury or damage to property, the Customer shall co-operate fully and promptly with any steps taken by the Company under Condition 11.4 below.</p> |
| 11.4 | | <p>The Company may at its absolute discretion recall any Goods already sold by the Company to its customers (where for a refund or credit or for replacement of the Goods which shall in each case be undertaken by the Company) and/or issue any written or other notification to its customers about the manner of use or operation of any Goods already sold by the Company to its customers and/or offer to refund or replace such Goods.</p> |
| 11.5 | | <p>The Customer, acknowledging the importance of this Condition 11, agrees that in addition to any other remedy available to the Company to inureably and unconditionally indemnify the Company and its employees, servants or agents on full and its servants and keep them indemnified from and against all claims, demands, actions, proceedings and all damages, losses, costs and expenses on being without limitation legal and other professional advisers' fees and all economic loss (whether direct or indirect) (including without limitation loss of profit, future revenue, reputation or goodwill and anticipated savings) which are made or brought against or incurred or suffered by any of them directly or indirectly and whether wholly or in part result from the Customer's breach of Conditions 11.2, 11.3 and 11.4 whether or not such losses or consequences of such breach were foreseeable at the time of creation of the Contract. This indemnity shall cover all consequential and indirect losses suffered by the Company and its employees, servants or agents and they shall have no duty to mitigate any such loss.</p> |
| 12 | Subcontracting, Assignment and Third Party Rights | |
| 12.1 | | <p>The Customer shall not be entitled to assign, charge, subcontract or transfer the Contract or any part of it without the prior written consent of the Company.</p> |
| 12.2 | | <p>The Company may assign, charge, subcontract or transfer the Contract or any part of it to any person.</p> |
| 12.3 | | <p>A person who is not a party to the Contract (including without limitation any employee, officer, agent, representative or sub-contractor of either party) shall not have any right to enforce any term of the Contract which expressly or by implication confers a benefit on that person without the express prior agreement in writing of the Company and the Customer.</p> |
| 13 | Force Majeure | |
| | | <p>The Company reserves the right to defer the date of delivery or to cancel the Contract or reduce the volume of the Goods or Services ordered by the Customer (without liability to the Customer) if this prevented from or delayed in the carrying on of its business and/or otherwise under the Contract due to circumstances beyond the reasonable control of the Company (including, without limitation, acts of God, governmental action, war or national emergency, riot, civil commotion, fire, explosion, flood, epidemic, lock-outs, strikes or other labour disputes (whether or not relating to either party's workforce), or restraints or delays affecting carriers at inability to deliver or obtain supplies of adequate or suitable materials (Force Majeure) provided that, if the event of Force Majeure continues for a continuous period in excess of 3 months, the Customer shall be entitled to give notice in writing to the Company to terminate the Contract.</p> |
| 14 | Breach of Contract or Insolvency | |
| 14.1 | | <p>If any of the following events occur:</p> <p>(a) the Customer commits a material breach of any of its obligations under the Contract which is incapable of remedy or fails to remedy a breach, where it is capable of remedy, or persists in any breach of any of its obligations under the Contract after having been requested in writing by the Company to remedy it; or</p> <p>(b) the Customer (being a partnership) or the Customer's partner offers to make any arrangements with or for the benefit of the creditors of the Customer or the Customer's partner generally or there is presented in relation to the Customer or the Customer's partner a petition of bankruptcy;</p> <p>(c) the Customer (being a limited company) is deemed to be unable to pay its debts within the meaning of Section 123 of the Insolvency Act 1986 or the Customer calls a meeting for the purpose of passing a resolution to wind up the company, or such a resolution is passed or the Customer presents or has presented a petition to wind up or present or have presented a petition to appoint an administrator or have an administrative receiver or receiver appointed to the whole or any part of the Customer's business, undertaking, property or assets;</p> <p>(d) the Customer ceases, or threatens to cease, to carry on business; or</p> <p>(e) the Company reasonably believes that any of the events specified in Condition 14.1 (a) to (d) above is about to occur in relation to the Customer, then the Company may, as if this were, (without prejudice to any other rights or remedies it may have against the Customer, immediately suspend further performance of the Contract or cancel any outstanding provision of the Services or delivery of the Goods or stop any Goods in transit or by notice in writing to the Customer terminate the Contract without liability to the Company.</p> |
| 14.2 | | <p>Notwithstanding any such termination or suspension or cessation in accordance with Condition 14.1 (a) to (d) above the Customer shall pay the Company at the contract rate for all Goods delivered or Services provided up to and including the date of suspension or termination or cancellation of any Contract, for whatever reason shall not affect the rights or remedies of either party in respect of any antecedent breach or in respect of any such owing or to become owing to the other.</p> |
| 15 | Notices | |
| 15.1 | | <p>All communications between the parties about this Contract must be in writing and delivered by hand or sent by pre-paid first class post or sent by facsimile transmission:</p> <p>(a) in case of communications to the Company to its registered office or such other address as shall be notified to the Customer by the Company in accordance with this Condition 15; or</p> <p>(b) in case of communications to the Customer to the registered office of the addressee (if it is a company) or to any other place to any address of the Customer set out in any document which forms part of this Contract as such other address as shall be notified to the Company by the Customer in writing.</p> |
| 15.2 | | <p>Communications shall be deemed to have been received:</p> <p>(a) if sent by pre-paid first class post, 2 Working Days after posting (exclusive of the day of posting);</p> <p>(b) if delivered by hand, on the day of delivery or if it is not the Working Day, the first Working Day after delivery;</p> <p>(c) if sent by facsimile transmission, at 10:00am on the first Working Day following despatch, subject to being able to show that the notice was sent to the correct telephone number.</p> |
| 15.3 | | <p>Communications addressed to the Company shall be treated for the attention of the Customer's Managing Director.</p> |
| 16 | General | |
| 16.1 | | <p>Any intellectual property rights (including, without limitation, patents, registered and unregistered designs, trade marks and service marks registered or not) and copyright created by the Company in the course of the performance of the Contract or otherwise in the manufacture of the Goods or the provision of the Services shall remain the Company's property. Nothing in the Contract shall be deemed to have given the Customer a license or any other right to use any of the intellectual property rights of the Company.</p> |
| 16.2 | | <p>Nothing in the Contract shall create, or be deemed to create a partnership or joint venture or relationship of employer and employee or principal and agent between the parties.</p> |
| 16.3 | | <p>The rights and remedies of either party in respect of the Contract shall not be deemed waived or exhausted by the granting of any indulgence, forbearance or advance of time granted by one party to the other nor by any failure, or delay in the said party in enforcing or exercising any such rights or remedies. The waiver or either party of any breach of the Contract shall not prevent the subsequent enforcement of that provision and shall not be deemed to be a waiver of any subsequent breach of that or any other provision.</p> |
| 16.4 | | <p>If at any time any one or more of the Conditions of the Contract (or any sub-Condition or paragraph or any part of one or more of these Conditions) is held to be or becomes void or otherwise unenforceable for any reason under any applicable law, the same shall be deemed omitted from the Contract and the validity and enforceability of the remaining provisions of the Contract shall not in any way be affected or impaired as a result of that omission.</p> |
| 16.5 | | <p>The Contract sets out the entire agreement and understanding between the Customer and the Company in connection with the sale of the Goods and shall supersede and replace all documentation previously issued by the Company purporting to set out its terms and conditions of sale of the Goods.</p> |
| 16.6 | | <p>The Contract shall be governed by and construed in all respects in accordance with English law and the Customer and the Company both hereby irrevocably agree to submit to the exclusive jurisdiction of the English Courts.</p> |



As a global innovative systems partner to the mobility industry, Webasto is one of the 100 largest suppliers to the automotive sector worldwide. In development, manufacturing and sales, the company focuses on roof systems on the one hand and on vehicle electrification on the other hand. The product range includes, openable and fixed panoramic roofs, electric high-voltage heaters and batteries, as well as thermo management solutions. Among the customers of Webasto are manufacturers of passenger cars, commercial vehicles, and boats, as well as dealers and end customers. In 2022, the Group generated sales of over 4 billion euros and employed about 16,800 people at more than 50 locations. The headquarters of the company, which was founded in 1901, is located in Stockdorf near Munich (Germany). For more information, please visit www.webasto-group.com

Webasto Thermo & Comfort UK Ltd
 Webasto House
 White Rose Way
 Doncaster Carr DN4 5JH
 UK

Tel : 00 44 (0) 1302 322232

www.webasto.co.uk

